

SR1 Series

Single-Phase, Detachable Heatsink Type SSR

■ Features

- Compact, universal design for flexible installation
- High heat dissipation efficiency with ceramic PCB
- Zero cross turn-on, random turn-on models available
- Input Indicator (green LED)



 Please read "Safety Considerations" in the instruction manual before using.



■ Ordering Information

SR	1	-	1	2	25		-	N	
							Version	N	Renewal
							Function	No Mark	Zero cross turn-on
								R	Random turn-on
								10	10A
								15	15A
								20	20A
								25	25A
								30	30A
								40	40A
								50	50A
								75	75A
								2	24-240VAC
								4	48-480VAC
								1	4-30VDC
								4	90-240VAC
								1	Single-phase
								SR	Solid State Relay (detachable heatsink type)

Model	Rated input voltage	Rated load current	Rated load voltage	Function	
SR1-1210-N	4-30VDC==	10A	24-240VAC~	Zero cross turn-on	
SR1-4210-N	90-240VAC~				
SR1-1215-N	4-30VDC==	15A			
SR1-4215-N	90-240VAC~				
SR1-1220-N	4-30VDC==	20A			
SR1-4220-N	90-240VAC~				
SR1-1225-N	4-30VDC==	25A			
SR1-4225-N	90-240VAC~				
SR1-1230-N	4-30VDC==	30A			
SR1-4230-N	90-240VAC~				
SR1-1240-N	4-30VDC==	40A			
SR1-4240-N	90-240VAC~				
SR1-1250-N	4-30VDC==	50A			
SR1-4250-N	90-240VAC~				
SR1-1275-N	4-30VDC==	75A			
SR1-4275-N	90-240VAC~				
SR1-1410-N	4-30VDC==	10A	48-480VAC~	Zero cross turn-on	
SR1-1410R-N				Random turn-on	
SR1-4410-N	90-240VAC~	Zero cross turn-on			
SR1-1415-N	4-30VDC==	15A		Zero cross turn-on	
SR1-1415R-N				Random turn-on	
SR1-4415-N				90-240VAC~	Zero cross turn-on

Single-Phase, Detachable Heatsink Type SSR

Model	Rated input voltage	Rated load current	Rated load voltage	Function
SR1-1420-N	4-30VDC≡	20A	48-480VAC~	Zero cross turn-on
SR1-1420R-N				Random turn-on
SR1-4420-N				Zero cross turn-on
SR1-1425-N	4-30VDC≡	25A		Zero cross turn-on
SR1-1425R-N				Random turn-on
SR1-4425-N				Zero cross turn-on
SR1-1430-N	4-30VDC≡	30A		Zero cross turn-on
SR1-1430R-N				Random turn-on
SR1-4430-N				Zero cross turn-on
SR1-1440-N	4-30VDC≡	40A		Zero cross turn-on
SR1-1440R-N				Random turn-on
SR1-4440-N				Zero cross turn-on
SR1-1450-N	4-30VDC≡	50A		Zero cross turn-on
SR1-1450R-N				Random turn-on
SR1-4450-N				Zero cross turn-on
SR1-1475-N	4-30VDC≡	75A	Zero cross turn-on	
SR1-1475R-N			Random turn-on	
SR1-4475-N			Zero cross turn-on	

SENSORS

CONTROLLERS

MOTION DEVICES

SOFTWARE

(J) Temperature Controllers

(K) SSRs

(L) Power Controllers

(M) Counters

(N) Timers

(O) Digital Panel Meters

(P) Indicators

(Q) Converters

(R) Digital Display Units

(S) Sensor Controllers

(T) Switching Mode Power Supplies

(U) Recorders

(V) HMIs

(W) Panel PC

(X) Field Network Devices

■ Specifications

○ Input

Rated input voltage range	4-30VDC≡	90-240VACrms~ (50/60Hz)
Allowable input voltage range	4-32VDC≡	85-264VACrms~ (50/60Hz)
Max. input current	18mA	18mArms (240VACrms~)
Pick-up voltage	Min. 4VDC≡	Min. 85VACrms~
Drop-out voltage	Max. 1VDC≡	Max. 10VACrms~
Turn-on time	Zero cross turn-on Random turn-on	Max. 0.5 cycle of load source + 1ms Max. 1ms
Turn-off time	Max. 0.5 cycle of load source + 1ms	Max. 2 cycle of load source + 1ms

○ Output




Rated load voltage range	24-240VACrms~ (50/60Hz)								
Allowable load voltage range	24-264VACrms~ (50/60Hz)								
Rated load current	Resistive load (AC-51) ^{※1}	10Arms	15Arms	20Arms	25Arms	30Arms	40Arms	50Arms	75Arms
Min. load current	0.15Arms			0.2Arms		0.2Arms		0.5Arms	
Max. 1 cycle surge current (60Hz)	160A			250A		400A		1000A	
Max. non-repetitive surge current (I ² t, t=8.3ms)	130A ² s			300A ² s		910A ² s		4000A ² s	
Peak voltage (non-repetitive)	600V								
Leakage current (Ta=25°C)	Max. 10mArms (240VAC~/60Hz)								
Output on voltage drop [Vpk] (max. load current)	Max. 1.6V								
Static off state dv/dt	500V/μs								
Rated load voltage range	48-480VACrms~ (50/60Hz)								
Allowable load voltage range	48-528VACrms~ (50/60Hz)								
Rated load current	Resistive load (AC-51) ^{※1}	10Arms	15Arms	20Arms	25Arms	30Arms	40Arms	50Arms	75Arms
Min. load current	0.5Arms			0.5Arms		0.5Arms		0.5Arms	
Max. 1 cycle surge current (60Hz)	300A			500A		500A		1000A	
Max. non-repetitive surge current (I ² t, t=8.3ms)	350A ² s			1000A ² s		1000A ² s		4000A ² s	
Peak voltage (non-repetitive)	1200V (Zero cross turn-on), 1000V (Random turn-on)								
Leakage current (Ta=25°C)	Max. 10mArms (480VAC~/60Hz)								
Output on voltage drop [Vpk] (max. load current)	Max. 1.6V								
Static off state dv/dt	500V/μs								

※1: AC-51 is utilization category at IEC60947-4-3.

SR1 Series

Specifications

General specifications

Dielectric strength (Vrms)	2500VAC 50/60Hz 1 min (input-output, input/output-case)	
Insulation resistance	Over 100MΩ (at 500VDC megger) (input-output, input/output-case)	
Indicator	Input indicator: green LED	
Vibration	Mechanical	0.75mm amplitude at frequency of 10 to 55Hz (for 1 min) in each X, Y, Z direction for 1 hour
	Malfunction	0.5mm amplitude at frequency of 10 to 55Hz (for 1 min) in each X, Y, Z direction for 10 min
Shock	Mechanical	300m/s ² (approx. 30G) in each X, Y, Z direction for 3 times
	Malfunction	100m/s ² (approx. 30G) in each X, Y, Z direction for 3 times
Environment	Ambient temp.	-30 to 80°C (in case of the rated input voltage 90-240VAC~: -20 to 70°C), storage: -30 to 100°C (The rated load current capacity is different depending on ambient temperature. Refer to 'SR1 Derating Curve'.)
	Ambient humi.	45 to 85%RH, storage: 45 to 85%RH
Input terminal connection	Min. 1×0.5mm ² (1×AWG20), max. 1×1.5mm ² (1×AWG16) or 2×1.5mm ² (2×AWG16)	
Output terminal connection	Min. 1×1.5mm ² (1×AWG16), max. 1×16mm ² (1×AWG6) or 2×6mm ² (2×AWG10) ※Use wires compliant with load current capacity to connect to the terminal.	
Input terminal fixed torque	0.75 to 0.95N·m	
Output terminal fixed torque	1.6 to 2.2N·m	
Approval	  	
Weight ^{※1}	Approx. 111g (approx. 73g)	

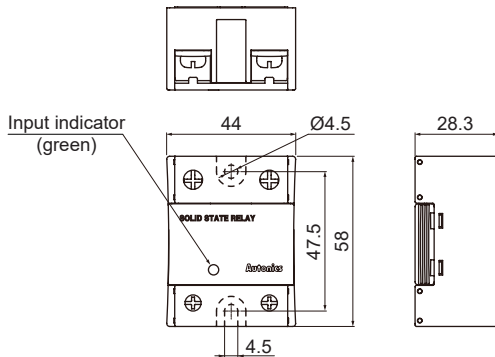
※1: The weight includes packaging. The weight in parenthesis is for unit only.

※Environment resistance is rated at no freezing or condensation.

※For wiring the terminal, round terminal must be used.

Dimensions

(unit: mm)



Panel cut-out

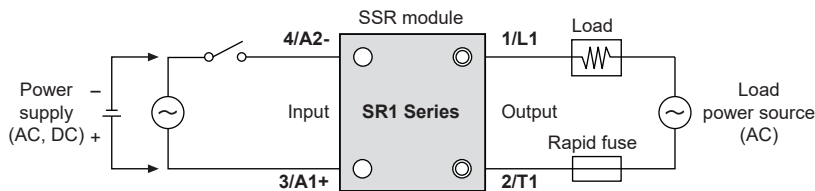


※Screw tightening torque for mounting: 1.8 to 2.5N·m

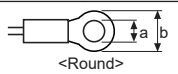
※When installing multiple SSRs, please keep space between SSRs for heat radiation.

When installing SSRs horizontally (input part and output part on the same height), please supply less than 50% of the rated load current.

Connections



※Use terminals of size specified below.

Terminal type	Input	Output
 <Round>	a	Min. 3.5mm
	b	Max. 7.0mm
		Min. 5.0mm
		Max. 12.0mm

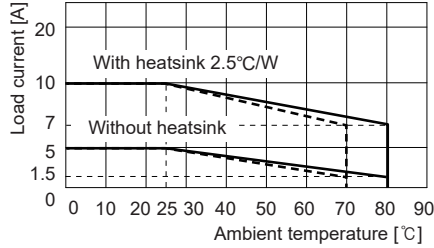
Single-Phase, Detachable Heatsink Type SSR

■ SSR Derating Curve

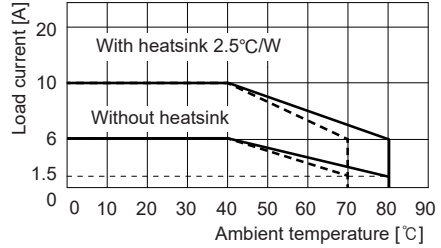
※ Be sure that the ambient temperature and the derating curve is different by the rated input voltage.

- : Rated input voltage 4-30VDC (SR1-1□□□-N)
- - - : Rated input voltage 90-240VAC (SR1-4□□□-N)

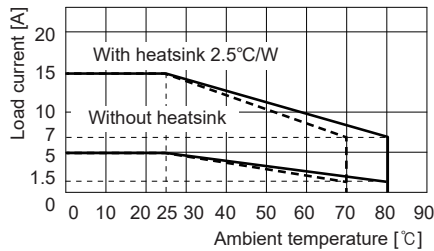
◎ SR1-1210/4210-N



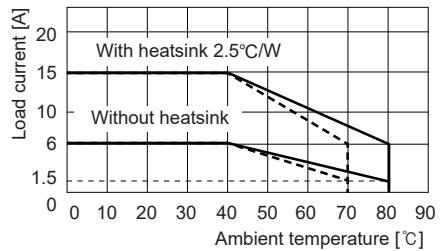
◎ SR1-1410/1410R/4410-N



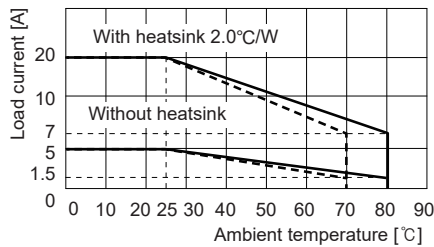
◎ SR1-1215/4215-N



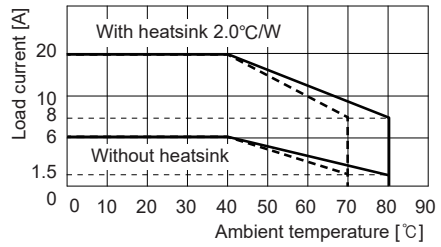
◎ SR1-1415/1415R/4415-N



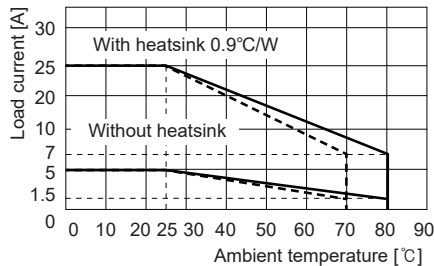
◎ SR1-1220/4220-N



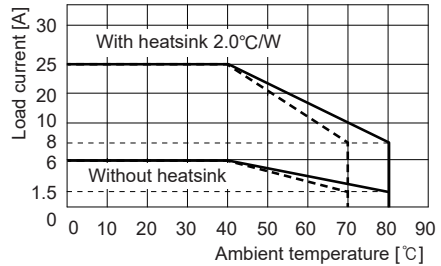
◎ SR1-1420/1420R/4420-N



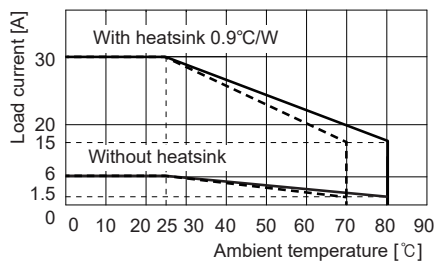
◎ SR1-1225/4225-N



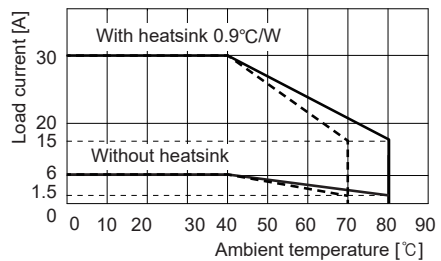
◎ SR1-1425/1425R/4425-N



◎ SR1-1230/4230-N



◎ SR1-1430/1430R/4430-N



SENSORS
CONTROLLERS
MOTION DEVICES
SOFTWARE
(J) Temperature Controllers
(K) SSRs
(L) Power Controllers
(M) Counters
(N) Timers
(O) Digital Panel Meters
(P) Indicators
(Q) Converters
(R) Digital Display Units
(S) Sensor Controllers
(T) Switching Mode Power Supplies
(U) Recorders
(V) HMIs
(W) Panel PC
(X) Field Network Devices

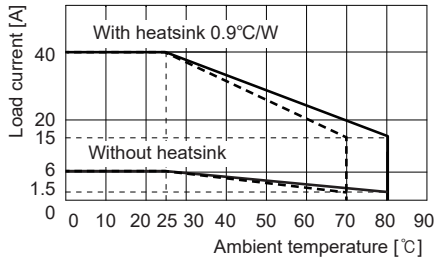
SR1 Series

■ SSR Derating Curve

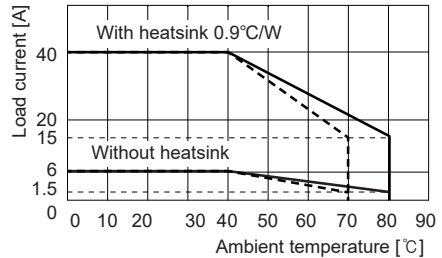
※ Be sure that the ambient temperature and the derating curve is different by the rated input voltage.

- : Rated input voltage 4-30VDC (SR1-1□□□-N)
- - - : Rated input voltage 90-240VAC (SR1-4□□□-N)

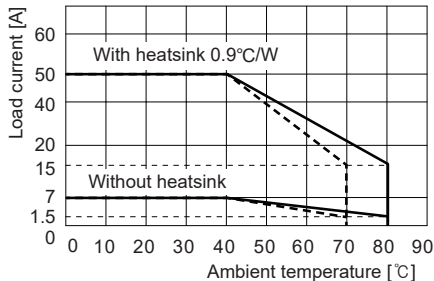
◎ SR1-1240/4240-N



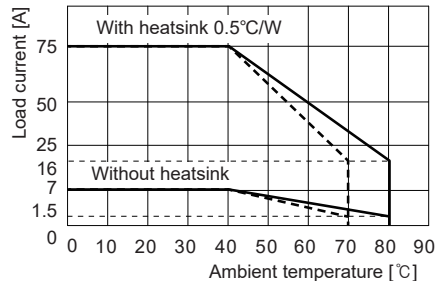
◎ SR1-1440/1440R/4440-N



◎ SR1-1250/1450/1450R-N SR1-4250/4450-N



◎ SR1-1275/1475/1475R-N SR1-4275/4475-N



△ Since effectiveness of the heat radiation is decreased when multiple SSRs are installed closely, please supply less than 50% of the rated load current.

※ Above SSR derating curves obtained approval from the UL certification authority.

■ Proper Usage

⚠ Cautions during use

1. Follow instructions in 'Cautions during Use'. Otherwise, it may cause unexpected accidents.
2. 4-30VDC signal input should be insulated and limited voltage/current or Class 2, SELV power supply device.
3. Attach a heat sink or install the unit in the well ventilated place.
To attach the heat sink, use Thermal Grease as below or that of equal specification.
※ Thermal Grease: GE TOSHIBA (YG6111), KANTO-KASEI (FLOIL G-600), SHINETSU (G746)
4. Ground to the heat sink, panel, or DIN rail. Failure to follow this instruction may result in electric shock.
5. While supplying power to the load or right after turning off the power of the load, do not touch the body and heat sink. Failure to follow this instruction may result in a burn due to the high temperature.
6. In order to protect the product from the short-circuit current of the load, use rapid fuse of which I^2t is under the 1/2 of SSR I^2t . When short-circuited, replace the fuse to those of same specification with the used rapid fuse.
7. Install dummy resistance in parallel with the load, to keep the sum of current flowing in the load and dummy resistance being over SSR minimum load current.
8. When using random turn-on model for phase control, install noise filter between the load and the power of the load.
9. Do not use near the equipment which generates strong magnetic force or high frequency noise.
10. This unit may be used in the following environments.
 - ① Indoors (in the environment condition rated in 'Specifications')
 - ② Altitude max. 2,000m
 - ③ Pollution degree 2
 - ④ Installation category III