

Overview

- Most secure object detection due to the barrier principle
- Fixed preset for the simplest commissioning
- Robust housing with stainless steel spacer sleeves



Picture similar



Technical data

General data

| | |
|-------------------------------------|-----------------------------|
| Type | Through beam sensor |
| Emitter / receiver | Receiver |
| Actual range S_b | 5 m |
| Nominal range S_n | 6 m |
| Smallest object recognizable typ. | 5 mm (0,5 mm with aperture) |
| Alignment / soiled lens indicator | Flashing output indicator |
| Output indicator | LED yellow |
| Power on indication | LED green |
| Sensitivity adjustment | No |
| Suppression of reciprocal influence | Yes |

Electrical data

| | |
|------------------------------------|------------------|
| Response time / release time | < 0.5 ms |
| Voltage supply range +Vs | 10 ... 30 VDC |
| Current consumption max. (no load) | 20 mA (@ 30 VDC) |
| Current consumption typ. | 16 mA (@ 24 VDC) |

Electrical data

| | |
|-----------------------------|----------------------|
| Voltage drop V_d | <2 VDC |
| Output function | Light / dark operate |
| Output circuit | PNP complementary |
| Output current | 50 mA |
| Short circuit protection | Yes |
| Reverse polarity protection | Yes |

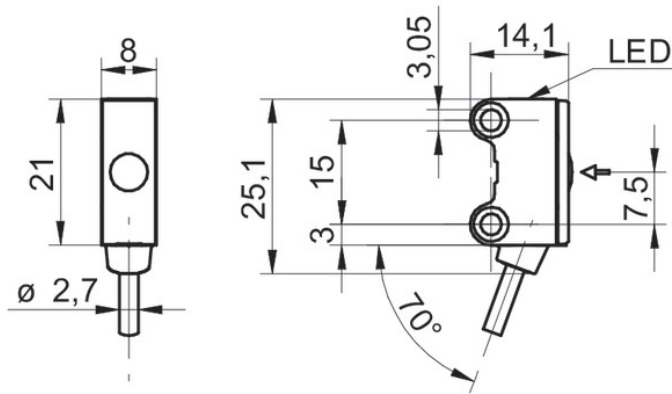
Mechanical data

| | |
|-----------------------|------------------------------------|
| Width / diameter | 8 mm |
| Height / length | 25.1 mm |
| Depth | 14.1 mm |
| Design | Rectangular |
| Mechanical mounting | Sleeve smooth (stainless steel) |
| Housing material | Plastic (ASA, PMMA) |
| Front (optics) | PMMA |
| Connection types | Cable 4 pin, 2 m |
| Cable characteristics | PVC / PVC 4 x 0.08 mm ² |

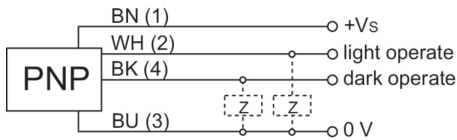
Ambient conditions

| | |
|-----------------------|----------------|
| Operating temperature | -25 ... +50 °C |
| Protection class | IP 67 |

Technical drawings



Connection diagram



Excess gain curve

