

**Overview**

- light barrier
- 30 ... 120 mm
- pulsed red laser diode
- push-pull
- Teach-in and IO-Link
- cable 4 pin, 2 m
- -10 ... 60 °C
- IP 67



Picture similar



**Technical data**

**General data**

Type	Light barrier
Version	Line beam
Light source	Pulsed red laser diode
Background position Sde	30 ... 120 mm
Scanning range Sa	90% ... 85% Sde
Power on indication	LED green
Light indicator	LED yellow
Sensing distance adjustment	Teach-in and IO-Link
Laser class	1
Distance to focus	400 mm
Wave length	656 nm
Suppression of reciprocal influence	Yes
Beam type	Line
Alignment optical axis	< 2°

**Electrical data**

Response time / release time	< 1,5 ms
Voltage supply range +Vs	11 ... 30 VDC

**Electrical data**

Current consumption max. (no load)	30 mA
Current consumption typ.	25 mA
Voltage drop Vd	< 2,5 VDC
Output function	Light / dark operate
Output circuit	Push-pull
Output current	< 100 mA
Short circuit protection	Yes
Reverse polarity protection	Yes

**Mechanical data**

Width / diameter	12,9 mm
Height / length	32,3 mm
Depth	23 mm
Type	Rectangular
Housing material	Plastic (ASA, PMMA)
Front (optics)	PMMA
Connection types	Cable 4 pin, 2 m

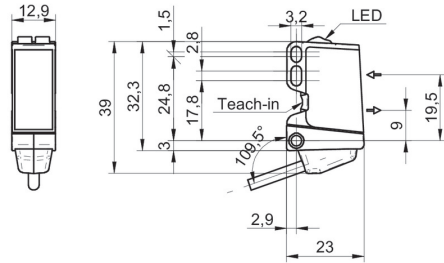
**Ambient conditions**

Operating temperature	-10 ... +60 °C
Protection class	IP 67

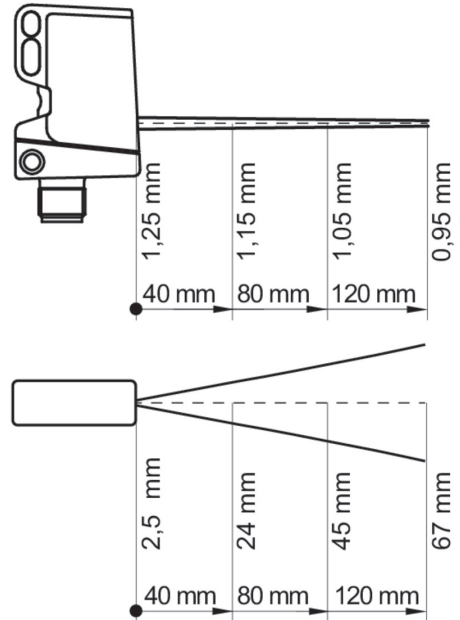
**Remarks**

- qTeach
- IO-Link: V1.1, filter functions, qTeach lock adjustable

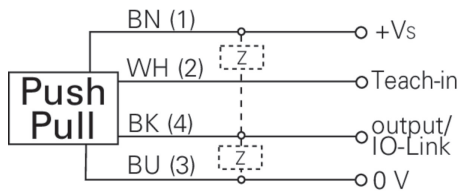
**Dimension drawing**



**Beam characteristic (typically)**



**Connection diagram**



**Laser warning**

**CLASS 1 LASER  
PRODUCT**

IEC 60825-1/2014  
Complies with 21 CFR 1040.10 and 1040.11 except for conformance with IEC 60825-1 Ed. 3., as described in Laser Notice No. 56, dated May 8, 2019