

O300H.GP-GW1J.PVCV

Diffuse sensors with background suppression - hygiene

Article number: 11127745

Overview

- background suppression
- 30 ... 200 mm
- pulsed PinPoint LED
- push-pull
- Teach-in and IO-Link
- cable 4 pin, 2 m
- -25 ... 60 °C
- IP 68/69K & proTect+



Picture similar



Technical data

General data

Type	Background suppression
Special type	Hygienic design
Light source	Pulsed PinPoint LED
Sensing distance Tw	30 ... 200 mm
Sensing range Tb	15 ... 200 mm
Power on indication	LED green
Light indicator	LED yellow
Sensing distance adjustment	Teach-in and IO-Link
Wave length	630 nm
Suppression of reciprocal influence	Yes
Alignment optical axis	< 2°
Approvals/certificates	Ecolab Adapted from EHEDG

Electrical data

Response time / release time	< 0,49 ms
Voltage supply range +Vs	10 ... 30 VDC
Current consumption max. (no load)	45 mA

Electrical data

Current consumption typ.	30 mA
Voltage drop Vd	< 3 VDC
Output function	Light / dark operate
Output circuit	Push-pull
Output current	< 100 mA
Short circuit protection	Yes
Reverse polarity protection	Yes

Mechanical data

Width / diameter	16,5 mm
Height / length	34,6 mm
Depth	28,7 mm
Type	Rectangular
Housing material	Stainless steel 1.4404 (V4A)
Front (optics)	PMMA
Connection types	Cable 4 pin, 2 m

Ambient conditions

Protection class	IP 68/69K & proTect+
Operating temperature	-25 ... +60 °C

Remarks

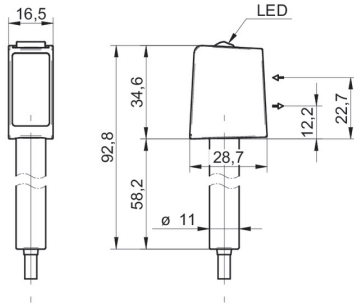
- Magnetic Teach
- IO-Link: V1.1, filter functions, qTeach lock adjustable

O300H.GP-GW1J.PVCV

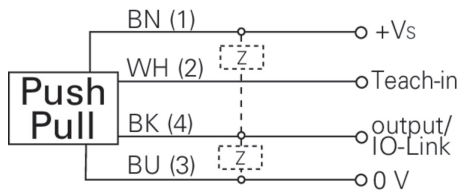
Diffuse sensors with background suppression - hygiene

Article number: 11127745

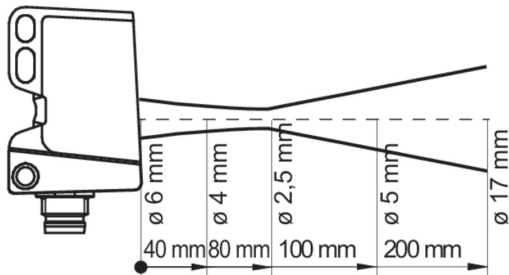
Dimension drawing



Connection diagram



Beam characteristic (typically)



Sensing distance diagram

