

Overview

- distance measuring
- 60 ... 400 mm
- pulsed PinPoint LED
- push-pull
- Teach-in and IO-Link
- cable 4 pin, 2 m
- -25 ... 60 °C
- IP 67



Picture similar



Technical data

General data

Type	Distance measuring
Version	IO-Link measuring
Measuring distance Sd	60 ... 400 mm
Adjustment	Teach-in and IO-Link
Power on indication	LED green
Light indicator	LED yellow
Resolution	500 ... 3000 µm
Linearity error	± 3 ... 20 mm
Beam type	Point
Suppression of reciprocal influence	Yes
Alignment optical axis	< 1°
Temperature drift	< 0,2 % Sde/K

Light Source

Light source	Pulsed PinPoint LED
Wave length	630 nm

Electrical data

Response time / release time	< 0.49 ms
Voltage supply range +Vs	10 ... 30 VDC
Current consumption max. (no load)	40 mA
Voltage drop Vd	< 3 VDC

Electrical data

Output circuit	Push-pull
Output current	< 100 mA
Short circuit protection	Yes
Reverse polarity protection	Yes

Communication interface

Interface	IO-Link V1.1
Baud rate	38,4 kBaud (COM 2)
Cycle time	≥ 2.7 ms
Process data length	3 Byte
Process data structure	Bit 0 = BDC1 Bit 2 = quality Bit 3 = alarm Bit 8-23 = 16 Bit measurement

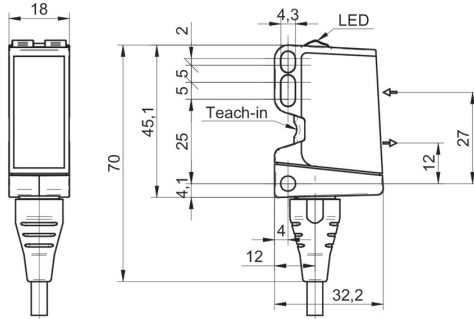
Mechanical data

Width / diameter	18 mm
Height / length	45 mm
Depth	32 mm
Type	Rectangular
Housing material	Plastic (ASA, PMMA)
Front (optics)	PMMA
Connection types	Cable 4 pin, 2 m

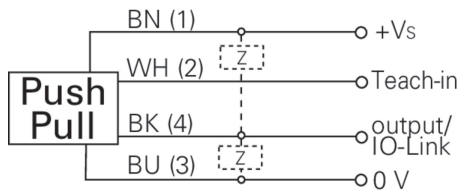
Ambient conditions

Operating temperature	-25 ... +60 °C
Protection class	IP 67

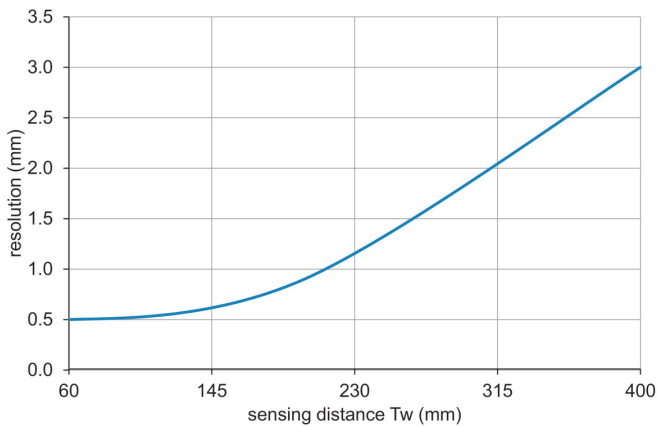
Dimension drawing



Connection diagram



Resolution



Beam characteristic (typically)

