

O500.ZR-GW1T.720

Diffuse sensors with intensity difference - for longer ranges

Article number: 11128018

overview

- intensity difference
- 20 ... 600 mm
- pulsed red LED
- push-pull
- qTeach
- -25 ... 60 °C
- IP 67



Picture similar



Technical data

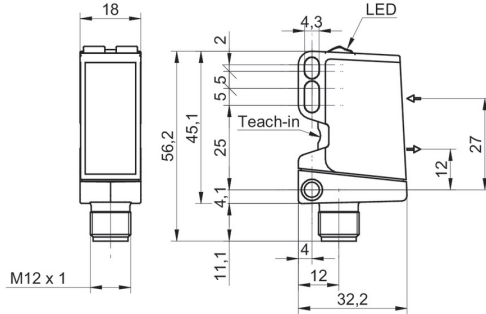
general data		electrical data	
type	intensity difference	voltage drop Vd	< 3 VDC
light source	pulsed red LED	output function	light / dark operate
sensing distance Tw	20 ... 600 mm	output circuit	push-pull
power on indication	LED green	output current	< 100 mA
light indicator	LED yellow	short circuit protection	yes
sensing distance adjustment	qTeach	reverse polarity protection	yes
wave length	630 nm	mechanical data	
suppression of reciprocal influence	yes	width / diameter	18 mm
alignment optical axis	< 1°	height / length	45 mm
electrical data		depth	32 mm
response time / release time	< 1 ms	type	rectangular
voltage supply range +Vs	10 ... 30 VDC	housing material	plastic (ASA, PMMA)
current consumption max. (no load)	40 mA	front (optics)	PMMA
current consumption typ.	30 mA	connection types	connector M12 4 pin
remarks		ambient conditions	
▪ qTeach		operating temperature	-25 ... +60 °C
		protection class	IP 67

O500.ZR-GW1T.720

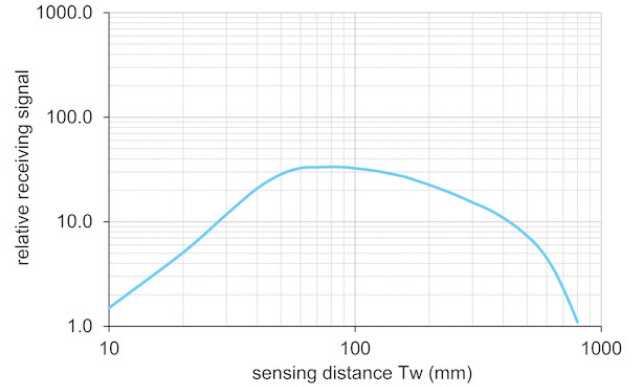
Diffuse sensors with intensity difference - for longer ranges

Article number: 11128018

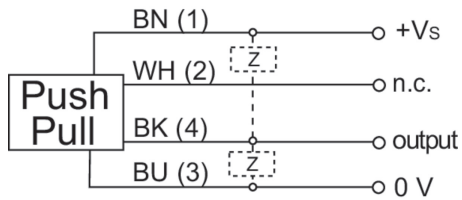
dimension drawing



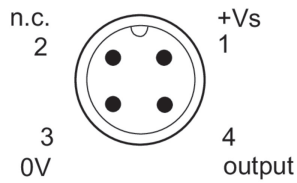
relative receiving signal



connection diagram



pin assignment



beam characteristic (typically)

