

Overview

- through beam sensor
- 170 mm
- pulsed red LED
- Push-Pull
- potentiometer / IO-Link
- connector M8, 3 pin
- -25 ... 60 °C
- IP 67



Picture similar



Technical data

General data

Type	Through beam sensor
Object size	> 0,8 mm
Repeat accuracy	< 0,06 mm
Hysteresis	< 0,25 mm
Sensitivity adjustment	Potentiometer, 270° IO-Link
Light source	Pulsed red LED
Wave length	660 nm
Light indicator	LED yellow

Communication interface

IO-Link	Yes
Interface	IO-Link V1.1
Baud rate	38,4 kBaud (COM 2)

Electrical data

Response time / release time	< 0.1 ms
Switching frequency	< 5000 Hz, default < 1500 Hz < 250 Hz < 8000 Hz
Voltage supply range +Vs	10 ... 30 VDC

Electrical data

Current consumption max. (no load)	30 mA
Output function	Light / dark operate switchable
Output circuit	Push-pull / IO-Link
Voltage drop Vd	< 2,8 VDC
Output current	< 200 mA
Short circuit protection	Yes
Reverse polarity protection	Yes

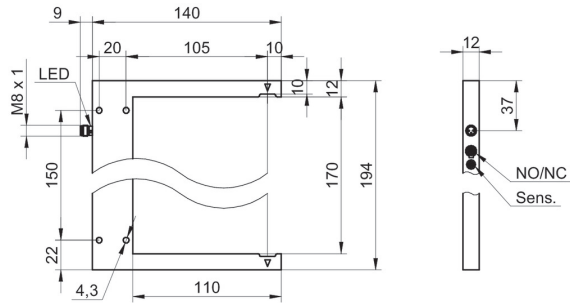
Mechanical data

Width / diameter	194 mm
Fork width Sb	170 mm
Height / length	140 mm
Penetration depth	110 mm
Depth	12 mm
Type	U profile
Housing material	Die-cast zinc
Connection types	Connector M8, 3 pin

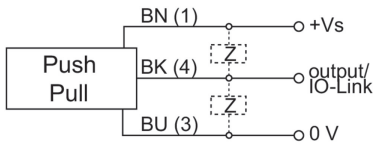
Ambient conditions

Operating temperature	-25 ... +60 °C
Protection class	IP 67

Dimension drawing



Connection diagram



Pin assignment

