

ONDK 25G6911/S14

SmartReflect Light barriers - for longer ranges

Article number: 11079994

Overview

- light barrier
- 100 ... 1900 mm
- pulsed red laser diode
- push-pull
- Teach-in
- connector M12 5 pin
- 50 °C
- IP 67



Picture similar



Technical data

General data

| | |
|-----------------------------------|---------------------------|
| Type | Light barrier |
| Version | Standard object detection |
| Light source | Pulsed red laser diode |
| Background position Sde | 100 ... 1900 mm |
| Scanning range Sa | 97% ... 83% Sde |
| Alignment / soiled lens indicator | Flashing light indicator |
| Power on indication | LED green |
| Light indicator | LED yellow |
| Sensing distance adjustment | Teach-in |
| Laser class | 1 |
| Wave length | 656 nm |
| Beam diameter | 3,7 ... 22 mm |

Electrical data

| | |
|------------------------------------|---------------|
| Response time / release time | < 10 ms |
| Voltage supply range +Vs | 10 ... 30 VDC |
| Current consumption max. (no load) | 80 mA |

Electrical data

| | |
|-----------------------------|----------------------|
| Voltage drop Vd | < 3,5 VDC |
| Output function | Light / dark operate |
| Output circuit | Push-pull |
| Output current | < 100 mA |
| Short circuit protection | Yes |
| Reverse polarity protection | Yes |

Mechanical data

| | |
|------------------|--------------------------|
| Width / diameter | 23,4 mm |
| Height / length | 63 mm |
| Depth | 45 mm |
| Type | Rectangular |
| Housing material | Plastic (SAN LURAN 378P) |
| Front (optics) | PMMA |
| Connection types | Connector M12 5 pin |

Ambient conditions

| | |
|-----------------------|----------------|
| Operating temperature | 0 ... +50 °C |
| Protection class | IP 67 |
| Storage temperature | -10 ... +70 °C |

Remarks

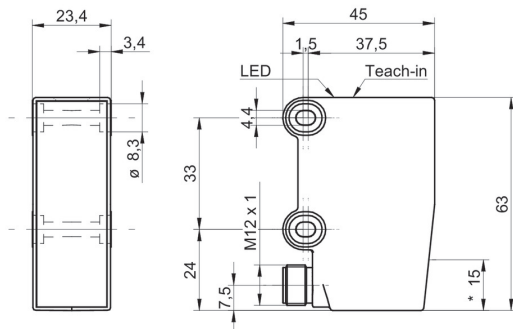
- qTeach

ONDK 25G6911/S14

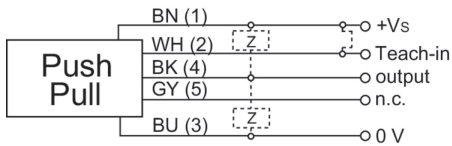
SmartReflect Light barriers - for longer ranges

Article number: 11079994

Dimension drawing



Connection diagram



Laser warning

**CLASS 1 LASER
PRODUCT**

IEC 60825-1/2014

Complies with 21 CFR 1040.10 and 1040.11 except for conformance with IEC 60825-1 Ed. 3., as described in Laser Notice No. 56, dated May 8, 2019

Switching point

