

OPDM 12P5104/S35A

Retro-reflective sensors - miniature

Article number: 10142512

Overview

- retro-reflective laser sensor
- 4,5 m
- pulsed red laser diode
- PNP
- no
- connector M8 4 pin
- -10 ... 50 °C
- IP 67



Picture similar



Technical data

General data

| | |
|-----------------------------------|-------------------------------|
| Type | Retro-reflective laser sensor |
| Version | Single lens optics |
| Light source | Pulsed red laser diode |
| Actual range Sb | 4.5 m |
| Nominal range Sn | 5 m |
| Repeat accuracy | 0.1 mm at laser focus |
| Polarization filter | Yes |
| Alignment / soiled lens indicator | Flashing light indicator |
| Light indicator | LED yellow |
| Power on indication | LED green |
| Sensitivity adjustment | No |
| Laser class | 2 |
| Distance to focus | 100 mm |
| Wave length | 650 nm |

Electrical data

| | |
|------------------------------------|---------------|
| Response time / release time | < 0.05 ms |
| Voltage supply range +Vs | 10 ... 30 VDC |
| Current consumption max. (no load) | 50 mA |

Electrical data

| | |
|-----------------------------|----------------------|
| Current consumption typ. | 40 mA |
| Voltage drop Vd | < 1.8 VDC |
| Output function | Light / dark operate |
| Output circuit | PNP |
| Output current | < 100 mA |
| Short circuit protection | Yes |
| Reverse polarity protection | Yes |

Mechanical data

| | |
|------------------|--------------------|
| Width / diameter | 12.4 mm |
| Height / length | 35 mm |
| Depth | 35 mm |
| Type | Rectangular |
| Housing material | Die-cast zinc |
| Front (optics) | Glass |
| Connection types | Connector M8 4 pin |

Ambient conditions

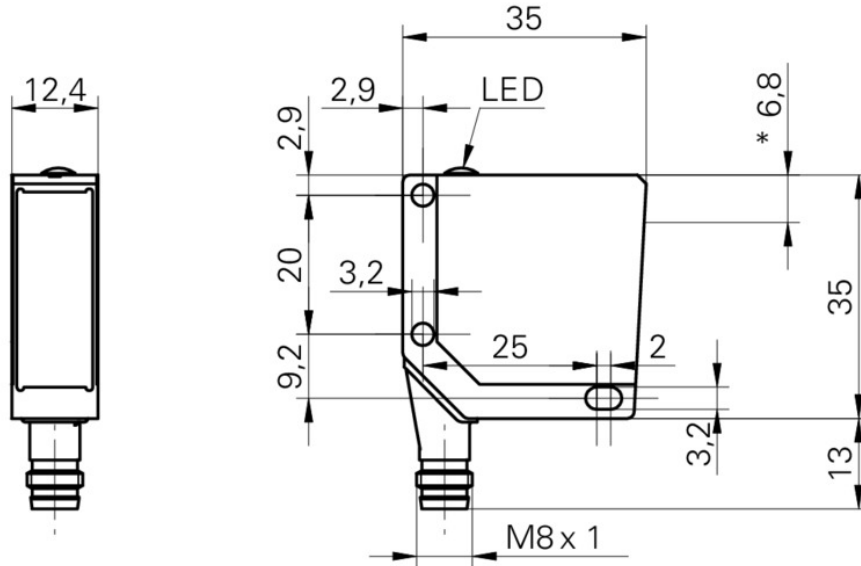
| | |
|-----------------------|----------------|
| Operating temperature | -10 ... +50 °C |
| Protection class | IP 67 |

OPDM 12P5104/S35A

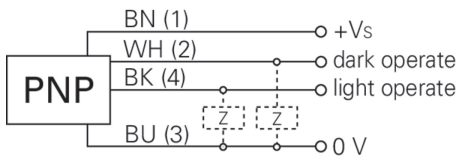
Retro-reflective sensors - miniature

Article number: 10142512

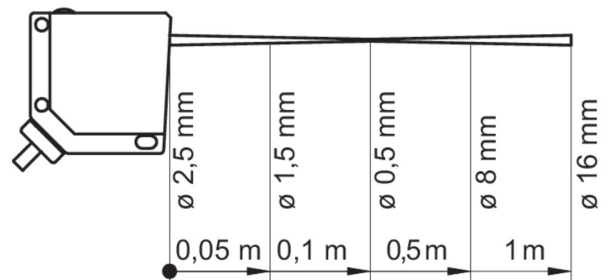
Technical drawings




Connection diagram



Beam characteristic (typically)



Laser warning



LASER RADIATION
DO NOT STARE INTO BEAM
Wavelength: 640...670nm
IEC 60825-1, Ed. 3, 2014
CLASS 2 LASER PRODUCT

IEC 60825-1/2014 Complies with 21 CFR 1040.10 and 1040.11 except for conformance with IEC 60825-1 Ed. 3., as described in Laser Notice No. 56, dated May 8, 2019