

Overview

- 8 mm
- PNP make function (NO)
- connector M12
- -40 ... 80 °C
- IP 68/69K & proTect+



Picture similar



Technical data

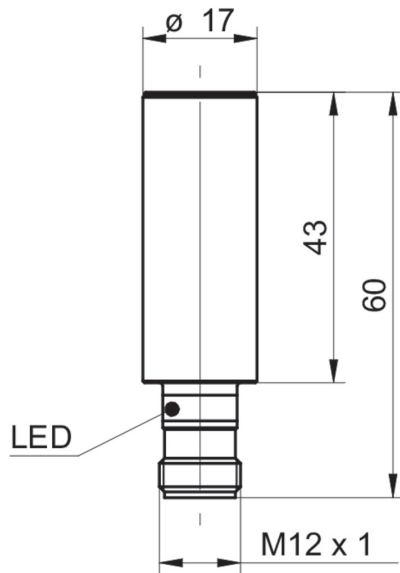
General data		Electrical data	
Mounting type	Quasi-flush	Output circuit	PNP make function (NO)
Special type	Hygienic design	Voltage drop Vd	< 2 VDC
Nominal sensing distance Sn	8 mm	Output current	< 200 mA
Hysteresis	2 ... 15 % of Sr	Output current (at cleaning temperature)	< 100 mA
Output indicator	LED red	Short circuit protection	Yes
Approvals/certificates	Ecolab Adapted from EHEDG REGULATION (EC) 1935/2004 REGULATION (EC) 2023/2006 REGULATION (EU) 1282/2011 FDA 21 CFR § 175.300 FDA 21 CFR § 177.2600 FCN 742	Reverse polarity protection	Yes
Electrical data		Mechanical data	
Switching frequency	< 500 Hz	Type	Cylindrical smooth
Voltage supply range +Vs	6 ... 30 VDC	Material (sensing face)	LCP
Current consumption max. (no load)	10 mA	Housing material	Stainless steel 1.4404 (V4A); LSR
Remarks		Dimension	17 mm
<ul style="list-style-type: none"> ▪ Sensor compliant with various food regulations (see approvals) ▪ LSR = Liquid Silicon Rubber 		Housing length	60 mm
		Connection types	Connector M12
		Ambient conditions	
		Operating temperature	-40 ... +80 °C
		Cleaning temperature	80 ... +100 °C (30 min/day)
		Protection class	IP 68/69K & proTect+

IFBR 17P17T1/S14L-9

Inductive proximity switch - hygiene

Article number: 11014600

Dimension drawing



Connection diagram

