

IFRD 08N37T1/S35

Inductive sensors special versions - high temperature

Article number: 10150428

Overview

- 2 mm
- NPN break function (NC)
- connector M8
- -25 ... 100 °C
- IP 69K



Picture similar



Technical data

General data

| | |
|---------------|---|
| Mounting type | Quasi-flush |
| Special type | Full metal housing (<kursiv>Duro-Prox</kursiv>) High temperature |

Nominal sensing distance
S_n 2 mm

Hysteresis 2 ... 20 % of S_r

Electrical data

| | |
|---------------------------------------|-------------------------|
| Switching frequency | 150 Hz |
| Voltage supply range +V _s | 10 ... 30 VDC |
| Current consumption max. (no load) | 20 mA |
| Output circuit | NPN break function (NC) |
| Voltage drop V _d | < 2 VDC |

Electrical data

| | |
|-----------------------------|----------|
| Output current | < 100 mA |
| Short circuit protection | Yes |
| Reverse polarity protection | Yes |

Mechanical data

| | |
|---------------------------|------------------------------|
| Type | Cylindrical threaded |
| Material (sensing face) | Stainless steel 1.4404 (V4A) |
| Housing material | Stainless steel 1.4404 (V4A) |
| Operating pressure static | < 20 bar |
| Dimension | 8 mm |
| Housing length | 46 mm |
| Connection types | Connector M8 |

Ambient conditions

| | |
|-----------------------|-----------------|
| Operating temperature | -25 ... +100 °C |
| Protection class | IP 69K |

Remarks

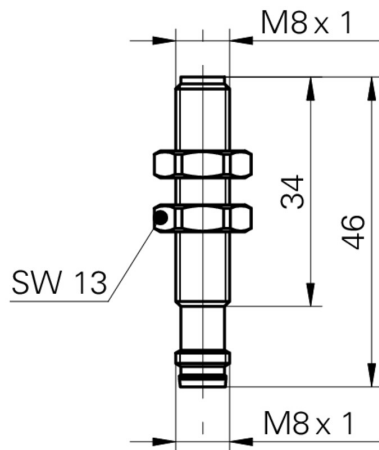
- Higher noise immunity (EMC), (EN 61000-6-2)

IFRD 08N37T1/S35

Inductive sensors special versions - high temperature

Article number: 10150428

Dimension drawing



Connection diagram

