

## IFRD 08P37T1/S35

Inductive sensors special versions - high temperature

Article number: 10149271

### Overview

- 2 mm
- PNP break function (NC)
- connector M8
- -25 ... 100 °C
- IP 69K



Picture similar



### Technical data

#### General data

Mounting type	Quasi-flush
Special type	Full metal housing (<kursiv>Duro-Prox</kursiv>) High temperature

Nominal sensing distance  
S<sub>n</sub> 2 mm

Hysteresis 2 ... 20 % of S<sub>r</sub>

#### Electrical data

Switching frequency	150 Hz
Voltage supply range +V <sub>s</sub>	10 ... 30 VDC
Current consumption max. (no load)	20 mA
Output circuit	PNP break function (NC)
Voltage drop V <sub>d</sub>	< 2 VDC

#### Electrical data

Output current	< 100 mA
Short circuit protection	Yes
Reverse polarity protection	Yes

#### Mechanical data

Type	Cylindrical threaded
Material (sensing face)	Stainless steel 1.4404 (V4A)
Housing material	Stainless steel 1.4404 (V4A)
Operating pressure static	< 20 bar
Dimension	8 mm
Housing length	46 mm
Connection types	Connector M8

#### Ambient conditions

Operating temperature	-25 ... +100 °C
Protection class	IP 69K

### Remarks

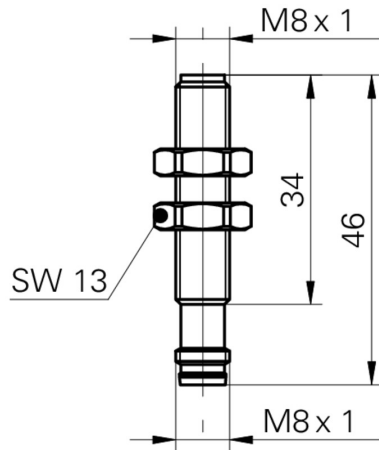
- Higher noise immunity (EMC), (EN 61000-6-2)

## IFRD 08P37T1/S35

Inductive sensors special versions - high temperature

Article number: 10149271

### Dimension drawing



### Connection diagram

