

**Overview**

- 2 mm
- NPN break function (NC)
- cable, 2 m
- -25 ... 75 °C
- IP 67



Picture similar



**Technical data**

**General data**

|  |                              |
|--|------------------------------|
| Mounting type                              | Flush                        |
| Nominal sensing distance<br>S <sub>n</sub> | 2 mm                         |
| Hysteresis                                 | 3 ... 20 % of S <sub>r</sub> |
| Output indicator                           | LED red                      |

**Electrical data**

|                                       |                         |
|---------------------------------------|-------------------------|
| Switching frequency                   | 5 kHz                   |
| Voltage supply range +V <sub>s</sub>  | 6 ... 36 VDC            |
| Current consumption max.<br>(no load) | 12 mA                   |
| Output circuit                        | NPN break function (NC) |
| Voltage drop V <sub>d</sub>           | < 2 VDC                 |
| Output current                        | < 200 mA                |

**Electrical data**

|                             |     |
|-----------------------------|-----|
| Short circuit protection    | Yes |
| Reverse polarity protection | Yes |

**Mechanical data**

|                         |                      |
|-------------------------|----------------------|
| Type                    | Cylindrical threaded |
| Material (sensing face) | PBT                  |
| Housing material        | Stainless steel      |
| Dimension               | 8 mm                 |
| Housing length          | 40 mm                |
| Connection types        | Cable, L=2 m         |
| Tightening torque max.  | 10 Nm (Front: 7 Nm)  |

**Ambient conditions**

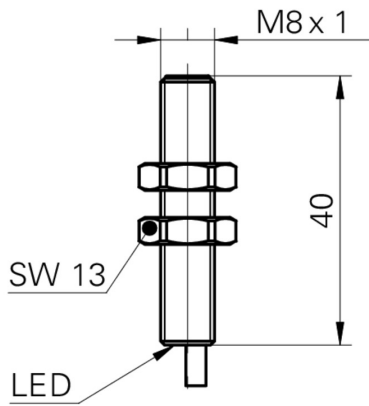
|                       |                |
|-----------------------|----------------|
| Operating temperature | -25 ... +75 °C |
| Protection class      | IP 67          |

**Remarks**

- Long robust steel housings
- High switching frequency

# IFRM 08N37A1/L

## Dimension drawing



## Connection diagram

