

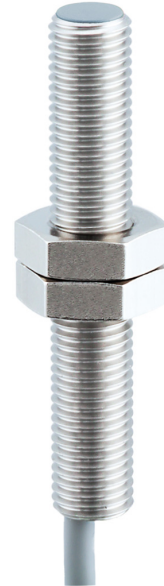
## IFRM 08P17T4

Inductive sensors special versions - high temperature

Article number: 10159049

### Overview

- 2 mm
- PNP make function (NO)
- cable FEP, 1 m
- -25 ... 100 °C
- IP 67



Picture similar



### Technical data

#### General data

|                                            |                                                              |
|--------------------------------------------|--------------------------------------------------------------|
| Mounting type                              | Flush                                                        |
| Special type                               | High temperature                                             |
| Nominal sensing distance<br>S <sub>n</sub> | 2 mm                                                         |
| Temperature drift                          | ± 10 % (-25 ... +75 °C)<br>- 10 % / + 15 % (-25 ... +100 °C) |
| Hysteresis                                 | 3 ... 20 % of S <sub>r</sub>                                 |

#### Electrical data

|                                       |                        |
|---------------------------------------|------------------------|
| Switching frequency                   | 5 kHz                  |
| Voltage supply range +V <sub>s</sub>  | 6 ... 30 VDC           |
| Current consumption max.<br>(no load) | 12 mA                  |
| Output circuit                        | PNP make function (NO) |
| Voltage drop V <sub>d</sub>           | <3 VDC                 |

#### Electrical data

|                             |        |
|-----------------------------|--------|
| Output current              | 100 mA |
| Short circuit protection    | Yes    |
| Reverse polarity protection | Yes    |

#### Mechanical data

|                         |                      |
|-------------------------|----------------------|
| Design                  | Cylindrical threaded |
| Material (sensing face) | PBT                  |
| Housing material        | Stainless steel      |
| Dimension               | 8 mm                 |
| Housing length          | 50 mm                |
| Connection types        | Cable FEP, 1 m       |

#### Ambient conditions

|                       |                 |
|-----------------------|-----------------|
| Operating temperature | -25 ... +100 °C |
| Protection class      | IP 67           |

### Remarks

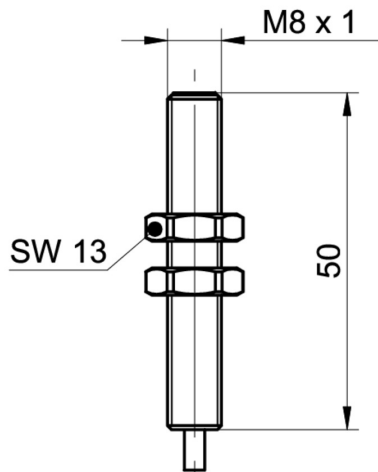
- With integral electronics of up to +100 °C

## IFRM 08P17T4

Inductive sensors special versions - high temperature

Article number: 10159049

### Dimension drawing



### Connection diagram

