

## IFRM 08P37A4/S35L

Inductive proximity switch - miniature

Article number: 10156225

### Overview

- 2 mm
- PNP break function (NC)
- connector M8
- -25 ... 75 °C
- IP 67



Picture similar



### Technical data

#### General data

Mounting type	Flush
Nominal sensing distance S <sub>n</sub>	2 mm
Hysteresis	3 ... 20 % of S <sub>r</sub>
Output indicator	3 port LED red

#### Electrical data

Switching frequency	5 kHz
Voltage supply range +V <sub>s</sub>	6 ... 36 VDC
Current consumption max. (no load)	12 mA
Output circuit	PNP break function (NC)
Voltage drop V <sub>d</sub>	< 2 VDC
Output current	< 200 mA

#### Electrical data

Short circuit protection	Yes
Reverse polarity protection	Yes

#### Mechanical data

Type	Cylindrical threaded
Material (sensing face)	PBT
Housing material	Stainless steel
Dimension	8 mm
Housing length	56 mm
Connection types	Connector M8
Tightening torque max.	10 Nm (Front: 7 Nm)

#### Ambient conditions

Operating temperature	-25 ... +75 °C
Protection class	IP 67

### Remarks

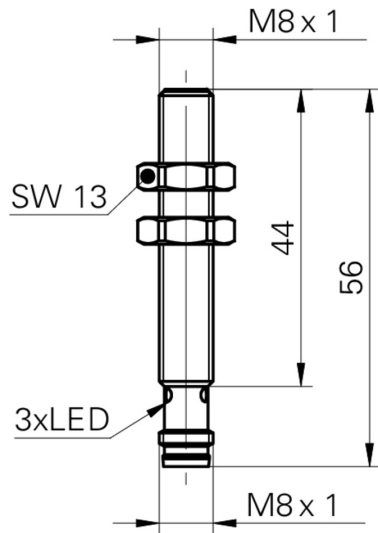
- Long robust steel housings

# IFRM 08P37A4/S35L

Inductive proximity switch - miniature

Article number: 10156225

## Dimension drawing



## Connection diagram

