

IFRM 12P33T1/S14L

Inductive proximity switch - outdoor and washdown

Article number: 11016676

Overview

- 6 mm
- PNP break function (NC)
- connector M12
- -40 ... 80 °C
- IP 67



Picture similar



Technical data

General data

Mounting type	Non-flush
Special type	Outdoor design
Nominal sensing distance S _n	6 mm
Hysteresis	2 ... 15 % of S _r
Output indicator	LED red

Electrical data

Switching frequency	2 kHz
Voltage supply range +V _s	6 ... 30 VDC
Current consumption max. (no load)	10 mA
Output circuit	PNP break function (NC)
Voltage drop V _d	< 2 VDC
Output current	< 200 mA

Electrical data

Short circuit protection	Yes
Reverse polarity protection	Yes

Mechanical data

Type	Cylindrical threaded
Material (sensing face)	PBT
Housing material	Brass nickel plated
Dimension	12 mm
Housing length	60 mm
Connection types	Connector M12
Tightening torque max.	15 Nm (Front: 10 Nm)

Ambient conditions

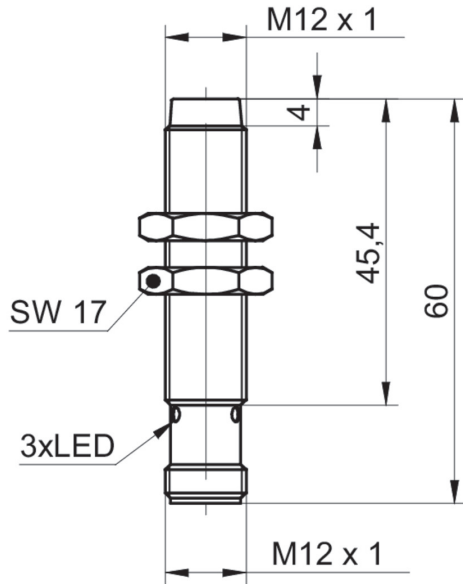
Operating temperature	-40 ... +80 °C
Protection class	IP 67

IFRM 12P33T1/S14L

Inductive proximity switch - outdoor and washdown

Article number: 11016676

Dimension drawing



Connection diagram

