

IFRM 18P17M1/S14L

Inductive proximity switch - outdoor

Article number: 11013673

Overview

- 10mm for flush mount in St37
- PNP make function (NO)
- connector M12
- -40 ... 80 °C
- IP 67



Picture similar



Technical data

General data

Mounting type	Flush
Special type	Outdoor design
Nominal sensing distance S _n	10 mm
Hysteresis	2 ... 15 % of S _r
Output indicator	LED red

Electrical data

Switching frequency	400 Hz
Voltage supply range +V _s	6 ... 36 VDC
Current consumption max. (no load)	24 mA
Output circuit	PNP make function (NO)
Voltage drop V _d	< 2 VDC
Output current	< 200 mA

Electrical data

Short circuit protection	Yes
Reverse polarity protection	Yes

Mechanical data

Type	Cylindrical threaded
Material (sensing face)	PBT
Housing material	Brass nickel plated
Dimension	18 mm
Housing length	60 mm
Connection types	Connector M12
Tightening torque max.	40 Nm (Front: 28 Nm)

Ambient conditions

Operating temperature	-40 ... +80 °C
Protection class	IP 67

Remarks

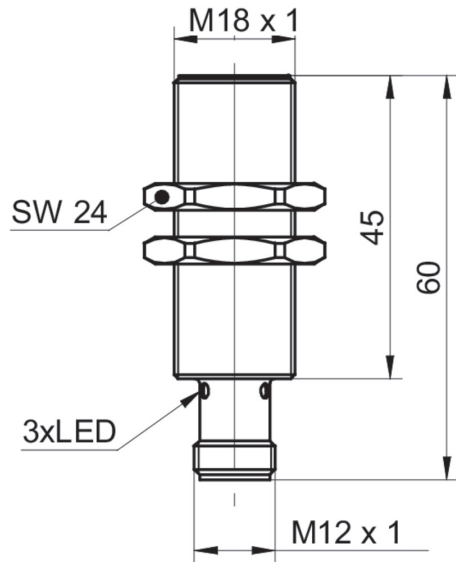
- Load resistance: Z < 100 kOhm must be connected

IFRM 18P17M1/S14L

Inductive proximity switch - outdoor

Article number: 11013673

Dimension drawing



Connection diagram

