

## IFRR 18N13T1/PL-9

Inductive proximity switch - outdoor and washdown

Article number: 11013664

### Overview

- 12 mm
- NPN make function (NO)
- cable PUR 3 x 0,25, 2 m
- -40 ... 80 °C
- IP 68/69K & proTect+



Picture similar



### Technical data

General data		Electrical data	
Mounting type	Non-flush	Reverse polarity protection	Yes
Special type	Outdoor design	Mechanical data	
Nominal sensing distance S <sub>n</sub>	12 mm	Type	Cylindrical threaded
Hysteresis	2 ... 15 % of S <sub>r</sub>	Material (sensing face)	LCP
Output indicator	LED red	Housing material	Stainless steel 1.4404 (V4A); LSR
Electrical data		Dimension	18 mm
Switching frequency	500 Hz	Housing length	55 mm
Voltage supply range +V <sub>s</sub>	6 ... 30 VDC	Connection types	Cable PUR 3 x 0,25, 2 m
Current consumption max. (no load)	10 mA	Tightening torque max.	55 Nm (Front: 38 Nm)
Output circuit	NPN make function (NO)	Ambient conditions	
Voltage drop V <sub>d</sub>	< 2 VDC	Operating temperature	-40 ... +80 °C
Output current	< 200 mA	Cleaning temperature	80 ... +100 °C (30 min/day)
Output current (at cleaning temperature)	< 100 mA	Protection class	IP 68/69K & proTect+
Short circuit protection	Yes	Vibration resistance	EN 61373: 2010 (category 3), 5h per axis (14.4 gRMS, 10-500 Hz, EN 60068-2-64)
		Shock resistance	EN 61373: 2010 (category 3), 10 bumps per axis (100 g, 6 ms, EN 60068-2-27)

### Remarks

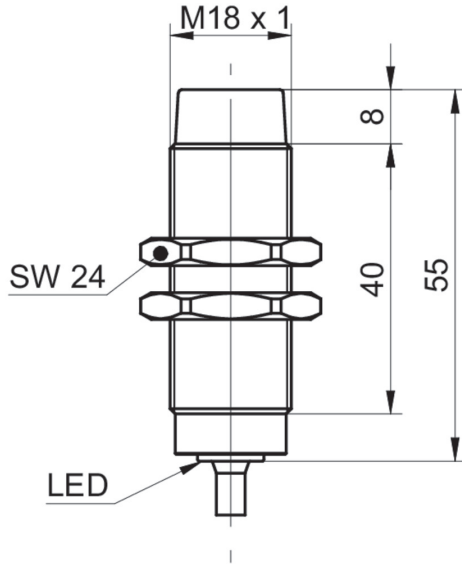
- LSR = Liquid Silicon Rubber

## IFRR 18N13T1/PL-9

Inductive proximity switch - outdoor and washdown

Article number: 11013664

### Dimension drawing



### Connection diagram

