

## IFRR 18N17T1/S14L-9

Inductive proximity switch - outdoor and washdown

Article number: 11013637

### Overview

- 8 mm
- NPN make function (NO)
- connector M12
- -40 ... 80 °C
- IP 68/69K & proTect+



Picture similar



### Technical data

#### General data

|               |                                   |
|---------------|-----------------------------------|
| Mounting type | Quasi-flush                       |
| Special type  | Outdoor design<br>Washdown design |

|  |                              |
|--|------------------------------|
| Nominal sensing distance<br>S <sub>n</sub> | 8 mm                         |
| Hysteresis                                 | 2 ... 15 % of S <sub>r</sub> |
| Output indicator                           | LED red                      |
| Approvals/certificates                     | Ecolab                       |

#### Electrical data

|   |                        |
|---|------------------------|
| Switching frequency                         | 500 Hz                 |
| Voltage supply range +V <sub>s</sub>        | 6 ... 30 VDC           |
| Current consumption max.<br>(no load)       | 10 mA                  |
| Output circuit                              | NPN make function (NO) |
| Voltage drop V <sub>d</sub>                 | < 2 VDC                |
| Output current                              | < 200 mA               |
| Output current (at cleaning<br>temperature) | < 100 mA               |

#### Electrical data

|                             |     |
|-----------------------------|-----|
| Short circuit protection    | Yes |
| Reverse polarity protection | Yes |

#### Mechanical data

|                         |                                   |
|-------------------------|-----------------------------------|
| Type                    | Cylindrical threaded              |
| Material (sensing face) | LCP                               |
| Housing material        | Stainless steel 1.4404 (V4A); LSR |
| Dimension               | 18 mm                             |
| Housing length          | 60 mm                             |
| Connection types        | Connector M12                     |
| Tightening torque max.  | 55 Nm (Front: 38 Nm)              |

#### Ambient conditions

|                       |   |
|-----------------------|---|
| Operating temperature | -40 ... +80 °C  |
| Cleaning temperature  | 80 ... +100 °C (30 min/day)   |
| Protection class      | IP 68/69K & proTect+  |
| Vibration resistance  | EN 61373: 2010 (category 3), 5h per axis<br>(14.4 gRMS, 10-500 Hz, EN 60068-2-64) |
| Shock resistance      | EN 61373: 2010 (category 3), 10 bumps<br>per axis (100 g, 6 ms, EN 60068-2-27)    |

### Remarks

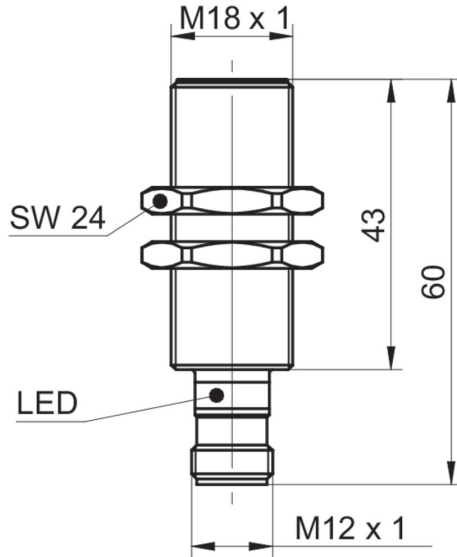
- Sensor FDA compliant and Ecolab approved
- LSR = Liquid Silicon Rubber

## IFRR 18N17T1/S14L-9

Inductive proximity switch - outdoor and washdown

Article number: 11013637

### Dimension drawing



### Connection diagram

