

## IFRW 12P1501/S14L

Inductive sensors special versions - weld magnetic field immune

Article number: 10236111

### Overview

- 2 mm
- PNP make function (NO)
- connector M12
- -25 ... 75 °C
- IP 67



Picture similar



### Technical data

#### General data

Mounting type	Flush
Special type	Welding and magnetic noise
Nominal sensing distance S <sub>n</sub>	2 mm
Hysteresis	3 ... 20 % of S <sub>r</sub>
Output indicator	3 port LED red

#### Electrical data

Switching frequency	< 1 kHz
Voltage supply range +V <sub>s</sub>	10 ... 30 VDC
Current consumption max. (no load)	10 mA
Output circuit	PNP make function (NO)
Voltage drop V <sub>d</sub>	< 1 VDC

#### Electrical data

Output current	< 250 mA
Short circuit protection	Yes
Reverse polarity protection	Yes

#### Mechanical data

Type	Cylindrical threaded
Material (sensing face)	PTFE coated
Housing material	Brass chromium plated
Dimension	12 mm
Housing length	50 mm
Connection types	Connector M12

#### Ambient conditions

Operating temperature	-25 ... +75 °C
Protection class	IP 67

### Remarks

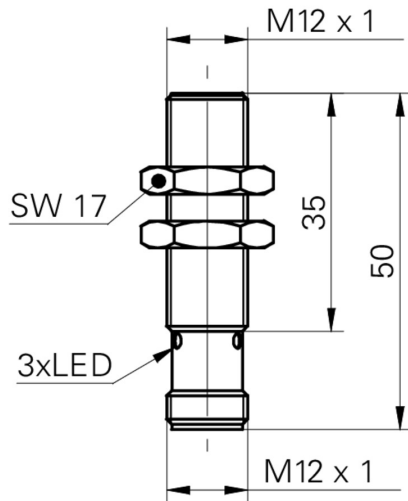
- Immune to welding and magnetic noise of up to 90 mT

## IFRW 12P1501/S14L

Inductive sensors special versions - weld magnetic field immune

Article number: 10236111

### Dimension drawing



### Connection diagram

