

Overview

- 10 mm
- NPN break function (NC)
- connector M12
- -25 ... 75 °C
- IP 67



Picture similar



Technical data

General data

| | |
|-----------------------------|---|
| Mounting type | Non-flush |
| Special type | Enhanced distance (GammaProx) |
| Nominal sensing distance Sn | 10 mm |
| Temperature drift | ± 10 % (0 ... +60 °C) ± 15 % (-25 ... +75 °C) |
| Hysteresis | 3 ... 20 % of Sr |
| Output indicator | 3 port LED red |
| Correction factor typ. | Mild steel 100 %, stainless steel 75 %, aluminum 50 % |

Electrical data

| | |
|------------------------------------|-------------------------|
| Switching frequency | 1.5 kHz |
| Voltage supply range +Vs | 6 ... 36 VDC |
| Current consumption max. (no load) | 10 mA |
| Output circuit | NPN break function (NC) |

Electrical data

| | |
|-----------------------------|----------|
| Voltage drop Vd | < 2 VDC |
| Output current | < 100 mA |
| Short circuit protection | Yes |
| Reverse polarity protection | Yes |

Mechanical data

| | |
|-------------------------|----------------------|
| Type | Cylindrical threaded |
| Material (sensing face) | PBT |
| Housing material | Brass nickel plated |
| Dimension | 12 mm |
| Housing length | 60 mm |
| Connection types | Connector M12 |
| Tightening torque max. | 15 Nm (A: 10 Nm) |

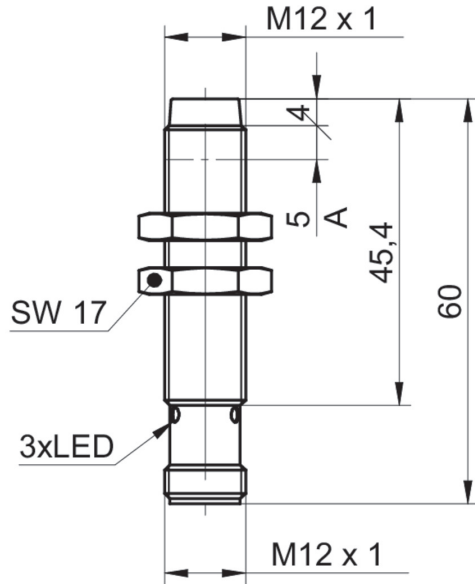
Ambient conditions

| | |
|-----------------------|----------------|
| Operating temperature | -25 ... +75 °C |
| Protection class | IP 67 |

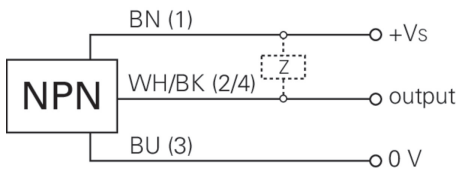
Remarks

- Increased sensing distance

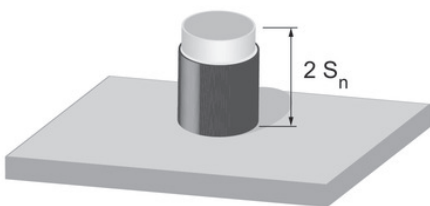
Dimension drawing



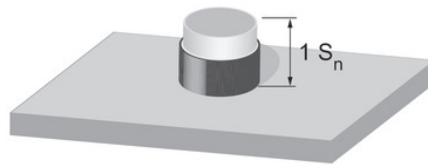
Connection diagram



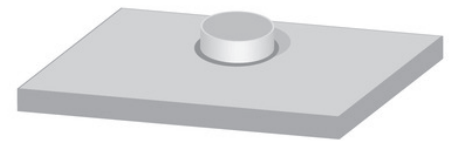
Correction factors for different mounting situation (approx.)



| Mounting material | Correction factor |
|-------------------|-------------------|
| Mild steel | 100 % |
| Stainless steel | 100 % |
| Aluminum | 100 % |



| Mounting material | Correction factor |
|-------------------|-------------------|
| Mild steel | 105 % |
| Stainless steel | 100 % |
| Aluminum | 100 % |



| Mounting material | Correction factor |
|-------------------|-------------------|
| Mild steel | not possible |
| Stainless steel | not possible |
| Aluminum | 90 % |

Mounting instructions

