

**Overview**

- 10 mm
- PNP break function (NC)
- connector M12
- -25 ... 75 °C
- IP 67



Picture similar



**Technical data**

**General data**

|                             |   |
|-----------------------------|---|
| Mounting type               | Non-flush   |
| Special type                | Enhanced distance (GammaProx)                         |
| Nominal sensing distance Sn | 10 mm   |
| Temperature drift           | ± 10 % (0 ... +60 °C)<br>± 15 % (-25 ... +75 °C)      |
| Hysteresis                  | 3 ... 20 % of Sr                                      |
| Output indicator            | 3 port LED red  |
| Correction factor typ.      | Mild steel 100 %, stainless steel 75 %, aluminum 50 % |

**Electrical data**

|                                    |                         |
|------------------------------------|-------------------------|
| Switching frequency                | 1.5 kHz                 |
| Voltage supply range +Vs           | 6 ... 36 VDC            |
| Current consumption max. (no load) | 10 mA                   |
| Output circuit                     | PNP break function (NC) |

**Electrical data**

|                             |          |
|-----------------------------|----------|
| Voltage drop Vd             | < 2 VDC  |
| Output current              | < 100 mA |
| Short circuit protection    | Yes      |
| Reverse polarity protection | Yes      |

**Mechanical data**

|                         |                      |
|-------------------------|----------------------|
| Type                    | Cylindrical threaded |
| Material (sensing face) | PBT                  |
| Housing material        | Brass nickel plated  |
| Dimension               | 12 mm                |
| Housing length          | 60 mm                |
| Connection types        | Connector M12        |
| Tightening torque max.  | 15 Nm (A: 10 Nm)     |

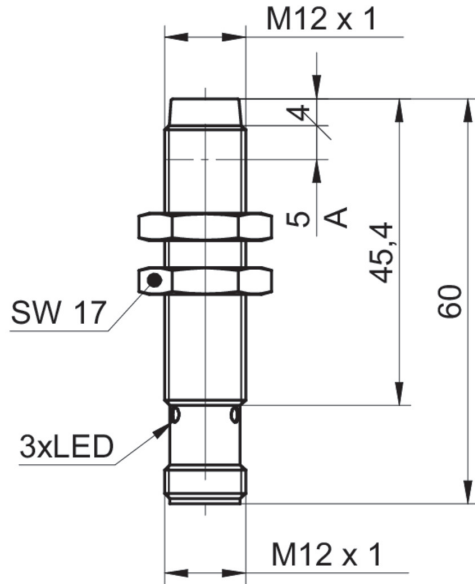
**Ambient conditions**

|                       |                |
|-----------------------|----------------|
| Operating temperature | -25 ... +75 °C |
| Protection class      | IP 67          |

**Remarks**

- Increased sensing distance

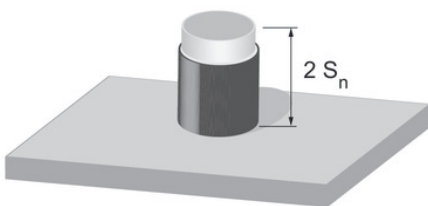
**Dimension drawing**



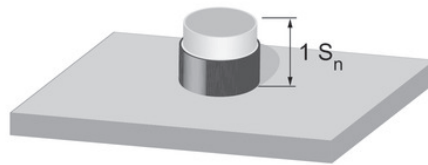
**Connection diagram**



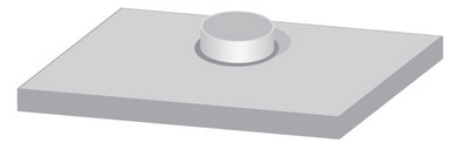
**Correction factors for different mounting situation (approx.)**



| Mounting material | Correction factor |
|-------------------|-------------------|
| Mild steel        | 100 %             |
| Stainless steel   | 100 %             |
| Aluminum          | 100 %             |



| Mounting material | Correction factor |
|-------------------|-------------------|
| Mild steel        | 105 %             |
| Stainless steel   | 100 %             |
| Aluminum          | 100 %             |



| Mounting material | Correction factor |
|-------------------|-------------------|
| Mild steel        | not possible      |
| Stainless steel   | not possible      |
| Aluminum          | 90 %              |

**Mounting instructions**

