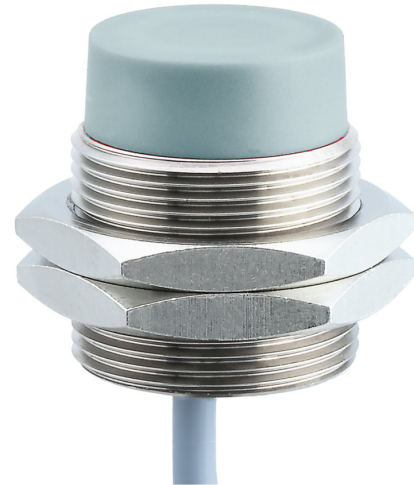


Overview

- 24 mm
- PNP complementary (NO / NC)
- cable, 2 m
- -25 ... 75 °C
- IP 67



Picture similar



Technical data

General data

Mounting type	Non-flush
Special type	Enhanced distance (GammaProx)
Nominal sensing distance Sn	24 mm
Temperature drift	± 10 %
Hysteresis	3 ... 20 % of Sr
Output indicator	LED red
Correction factor typ.	Mild steel 100 %, stainless steel 70 %, aluminum 50 %

Electrical data

Switching frequency	500 Hz
Voltage supply range +Vs	6 ... 36 VDC
Current consumption max. (no load)	10 mA
Output circuit	PNP complementary (NO / NC)

Electrical data

Voltage drop Vd	< 2 VDC
Output current	< 200 mA
Short circuit protection	Yes
Reverse polarity protection	Yes

Mechanical data

Type	Cylindrical threaded
Material (sensing face)	PBT
Housing material	Brass nickel plated
Dimension	30 mm
Housing length	35 mm
Connection types	Cable, L=2 m
Tightening torque max.	140 Nm

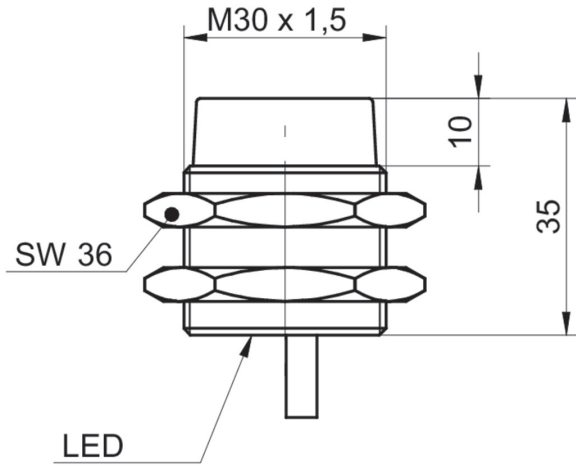
Ambient conditions

Operating temperature	-25 ... +75 °C
Protection class	IP 67

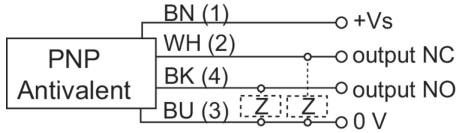
Remarks

- Increased sensing distance
- Complementary output

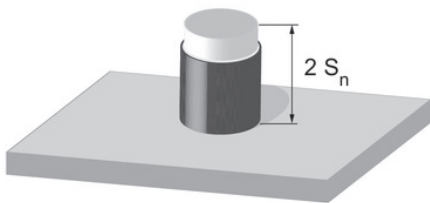
Dimension drawing



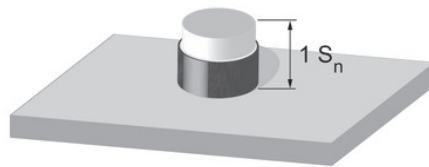
Connection diagram



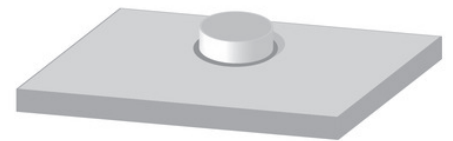
Correction factors for different mounting situation (approx.)



Mounting material	Correction factor
Mild steel	100 %
Stainless steel	95 %
Aluminum	95 %



Mounting material	Correction factor
Mild steel	100 %
Stainless steel	95 %
Aluminum	95 %



Mounting material	Correction factor
Mild steel	not possible
Stainless steel	115 %
Aluminum	90 %

Mounting instructions

