

EAM580-B - CANopen®

Blind hollow shaft

Magnetic single- or multiturn encoders 14 bit ST / 18 bit MT

Overview

- Encoder single- or multiturn / CANopen®
- Precise magnetic sensing
- Angular accuracy up to $\pm 0.15^\circ$
- Additional incremental signals
- High protection up to IP 67
- High resistance to shock and vibrations
- Electronic gear function



Technical data

Technical data - electrical ratings

Voltage supply	10...30 VDC
Consumption typ.	20 mA (24 VDC, w/o load)
Initializing time	≤ 170 ms after power on
Data currency	< 1 ms
Interface	CANopen® CANopen®-Lift CANopen® + incremental
Function	Multiturn Singleturn
Profile conformity	CANopen® CiA communication profile DS 301, LSS profile DSP 305, device profile DS 406, DS 417
Steps per revolution	$\leq 16384 / 14$ bit
Number of revolutions	$\leq 262144 / 18$ bit
Absolute accuracy	$\pm 0.15^\circ$ (+20 $\pm 15^\circ\text{C}$) $\pm 0.25^\circ$ (-40...+85 $^\circ\text{C}$)
Sensing method	Magnetic
Code sequence	CW: ascending values with clockwise sense of rotation; looking at flange
Output stages	CAN-Bus, LV (3.3 V) compatible ISO 11898 Incremental: linedriver RS422 or push-pull (option)
Incremental output	1024, 2048, 4096 ppr (other on request)
Output signals	A+, A-, B+, B-
Output frequency	≤ 350 kHz

Technical data - electrical ratings

Interference immunity	EN 61000-6-2
Emitted interference	EN 61000-6-4
Approval	UL approval / E217823

Technical data - mechanical design

Size (flange)	$\varnothing 58$ mm
Shaft type	$\varnothing 10...15$ mm (blind hollow shaft)
Protection EN 60529	IP 65 (without shaft seal) IP 67 (with shaft seal)
Operating speed	≤ 6000 rpm
Starting torque	≤ 2 Ncm (+20 $^\circ\text{C}$, IP 65) ≤ 2.5 Ncm (+20 $^\circ\text{C}$, IP 67)
Moment of inertia	46.75 gcm ²
Material	Housing: steel zinc-coated Flange: aluminium Hollow shaft: stainless steel
Operating temperature	-40...+85 $^\circ\text{C}$ (see general information)
Relative humidity	95 %
Resistance	EN 60068-2-6 Vibration 30 g, 10-2000 Hz EN 60068-2-27 Shock 500 g, 1 ms
Weight approx.	250 g
Connection	Flange connector M12, 5-pin Flange connector M12, 8-pin Cable 2 m

Optional

- Protection against corrosion CX (C5-M)

EAM580-B - CANopen®

Blind hollow shaft

Magnetic single- or multiturn encoders 14 bit ST / 18 bit MT

General information

Self-heating interrelated to speed, protection, attachment method and ambient conditions as well electronics and supply voltage must be considered for precise thermal dimensioning. Self-heating is supposed to approximate 6 K (IP 65 protection) respectively 12 K (IP 67 protection) per 1000 rpm. Operating the encoder close to the maximum limits requires measuring the real prevailing temperature at the encoder flange.

Terminal assignment

Cable

for connection reference -L

Core colour	W/o incremental	With incremental
white	0 V	0 V
brown	+Vs	+Vs
green	CAN_H	CAN_H
yellow	CAN_L	CAN_L
grey	CAN_GND	A+
pink	n.c.	A-
blue	n.c.	B+
red	n.c.	B-

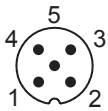
Screen: connected to housing

Cable data: 4 x 2 x 0.14 mm²

Flange connector M12, 5-pin

for connection reference -N

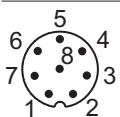
Pin	W/o incremental
1	CAN_GND
2	+Vs
3	0 V
4	CAN_H
5	CAN_L



Flange connector M12, 8-pin

for connection reference -B

Pin	With incremental
1	0 V
2	+Vs
3	CAN_H
4	CAN_L
5	A+
6	A-
7	B+
8	B-

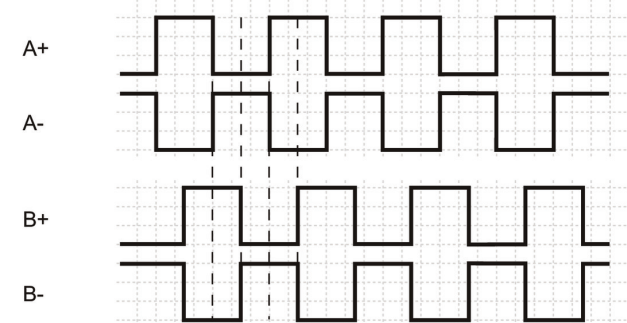


CANopen® features

Operating modes	Timer-driven (Event-Time) Synchronously triggered (Sync)
Node Monitoring	Heartbeat Node guarding
Programmable parameters	Operating modes Total resolution Scaling Electronic gear function
Diagnosis	Multiturn sensing Position error Temperature exceeding Speed exceeding
Default	50 kbit/s, Node ID 1 (DS406) 250 kbit/s, Node ID 4 (DS417)

Output signals

Incremental signals: clockwise rotating direction when looking at flange.



Trigger level

RS422	
Output level High	>2.3 V
Output level Low	<0.5 V
Load	<20 mA

Push-pull

Output level High	≥+VS -2.2 V
Output level Low	<0.7 V
Load	<20 mA

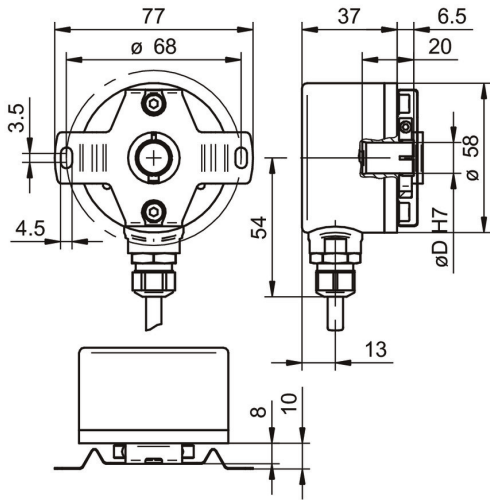
Applies to standard cable lengths up to 2 m, for longer cables the voltage drop must be taken into account.

EAM580-B - CANopen®

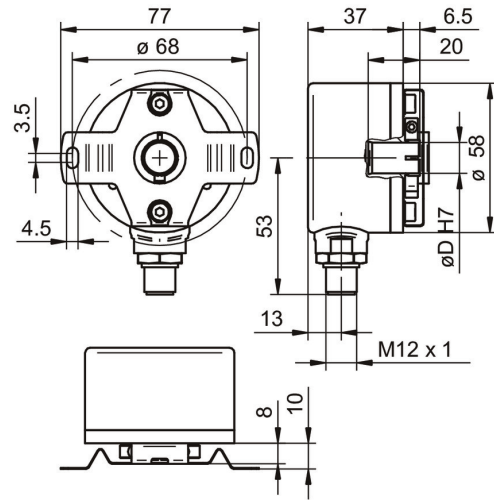
Blind hollow shaft

Magnetic single- or multiturn encoders 14 bit ST / 18 bit MT

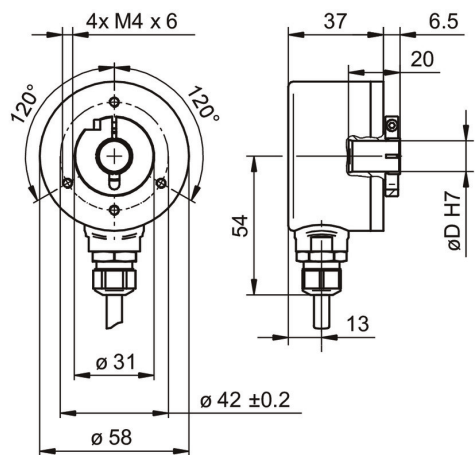
Dimensions



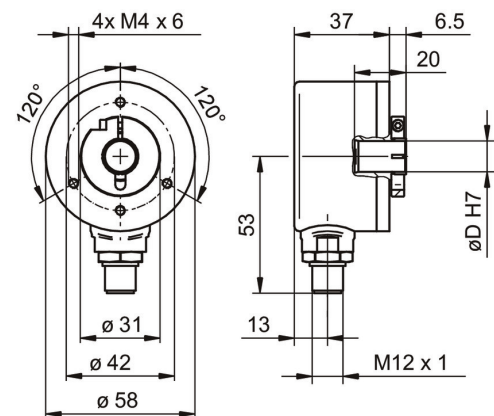
With cable and stator coupling



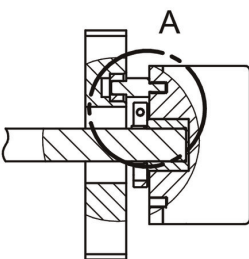
With flange connector M12 and stator coupling



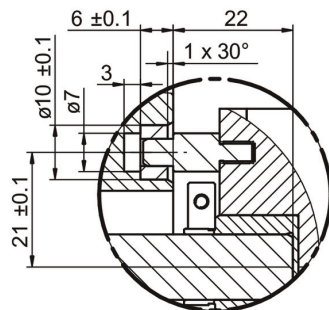
With cable w/o stator coupling



With flange connector M12 w/o stator coupling



Detail A



Torque pin

EAM580-B - CANopen®

Blind hollow shaft

Magnetic single- or multiturn encoders 14 bit ST / 18 bit MT

Ordering reference

	EAM580	-	B	#	##	.	#	#	##	.	14	##	#	.	A	
Product	EAM580															
Shaft type	Blind hollow shaft		B													
Flange (Hollow shaft)	Without stator coupling			N												
	With stator coupling 68 mm			A												
	Pin torque support 5 mm, axial			E												
Blind hollow shaft	ø10 mm, clamping ring, A-side				A											
	ø12 mm, clamping ring, A-side				C											
	ø14 mm, clamping ring, A-side				E											
	ø15 mm, clamping ring, A-side				F											
Protection class	IP 65															
	IP 67															
Connection	Flange socket radial, M12, 8-pin, male contacts, CCW															
	Cable radial, 2 m															
	Flange socket radial, M12, 5-pin, male contacts, A-coded															
Voltage supply / interface	10...30 VDC, CANopen (DS 406)															
	10...30 VDC, CANopen Lift (DS 417)															
Resolution Singleturn	14 Bit															
Resolution Multiturn	No option															
	18 Bit															
Resolution supplement	No option															
	4096 ppr TTL (RS422), 4 channels															
	2048 ppr TTL (RS422), 4 channels															
	1024 ppr TTL (RS422), 4 channels															
Operating temperature	-40...+85 °C															

Accessories

Mounting accessories

11136718 Set of spring washers - EAM580