

EAM580-B - EtherCAT

Blind hollow shaft

Magnetic multiturn encoders 14 bit ST / 16 bit MT

Overview

- Encoder multiturn / EtherCAT
- Precise magnetic sensing
- Resolution max. 30 bit (14 bit ST, 16 bit MT)
- Angular accuracy up to $\pm 0.15^\circ$
- High protection up to IP 67
- High resistance to shock and vibrations
- LED status display



Technical data

Technical data - electrical ratings

Voltage supply	10...30 VDC
Consumption typ.	90 mA (24 VDC, w/o load)
Initializing time	≤ 10 s after power on
Interface	EtherCAT
Function	Multiturn
Steps per revolution	≤ 16384 / 14 bit
Number of revolutions	≤ 65536 / 16 bit
Absolute accuracy	$\pm 0.15^\circ$ (+20 $\pm 15^\circ\text{C}$) $\pm 0.25^\circ$ (-40...+85 $^\circ\text{C}$)
Sensing method	Magnetic
Interference immunity	EN 61000-6-2
Emitted interference	EN 61000-6-4
Status indicator	4x LED integrated in housing
Approval	UL approval / E217823

Technical data - mechanical design

Size (flange)	$\varnothing 58$ mm
---------------	---------------------

Technical data - mechanical design

Shaft type	$\varnothing 10...15$ mm (blind hollow shaft)
Protection EN 60529	IP 65 (without shaft seal) IP 67 (with shaft seal)
Operating speed	≤ 6000 rpm
Starting torque	≤ 2 Ncm (+20 $^\circ\text{C}$, IP 65) ≤ 2.5 Ncm (+20 $^\circ\text{C}$, IP 67)
Moment of inertia	46.75 gcm ²
Material	Housing: steel zinc-coated Flange: aluminium Hollow shaft: stainless steel
Operating temperature	-40...+85 $^\circ\text{C}$ (see general information)
Relative humidity	95 %
Resistance	EN 60068-2-6 Vibration 30 g, 10-2000 Hz EN 60068-2-27 Shock 250 g, 6 ms
Weight approx.	360 g
Connection	Flange connector 3 x M12

Optional

- Protection against corrosion CX (C5-M)

EAM580-B - EtherCAT

Blind hollow shaft

Magnetic multiturn encoders 14 bit ST / 16 bit MT

General information

Self-heating interrelated to speed, protection, attachment method and ambient conditions as well electronics and supply voltage must be considered for precise thermal dimensioning. Self-heating is supposed to approximate 6 K (IP 65 protection) respectively 12 K (IP 67 protection) per 1000 rpm. Operating the encoder close to the maximum limits requires measuring the real prevailing temperature at the encoder flange.

Terminal assignment

Voltage supply

Pin	Assigned	Significance
1	+Vs	Voltage supply
2	d.u.	Do not connect
3	0 V	Ground
4	d.u.	Do not connect



1 x flange connector M12 (male), A-coded

EtherCAT (data line)

Pin	Assigned	Significance
1	TxD+	Transmission data+
2	RxD+	Receiving data+
3	TxD-	Transmission data-
4	RxD-	Receiving data-



2 x flange connector M12 (female), D-coded

EtherCAT features

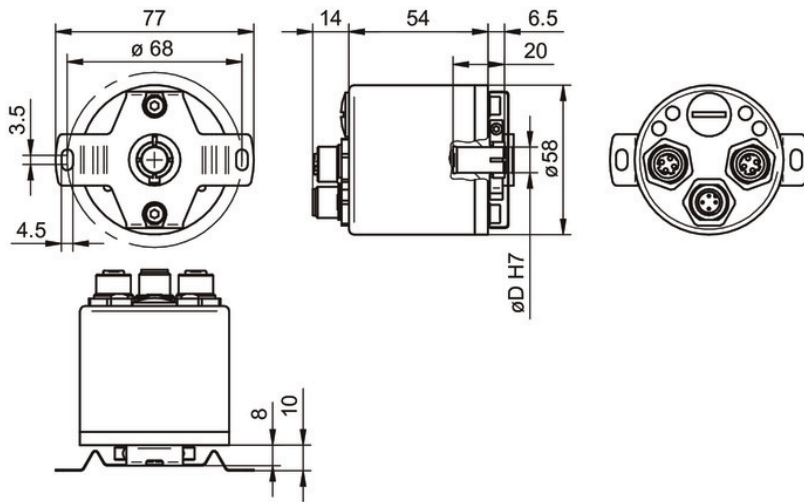
Bus protocol	EtherCAT
Device profile	Encoder-Profil CANopen® CiA 406 Vers. 4.0.2 from 18.08.2016
Operating modes	Free Run, Synchronous with SM3 Event, DC Mode (Distributed Clocks)
Cycle time	Min. 62.5 µs
Features	<ul style="list-style-type: none"> - Gear factor (round shaft) and endless loop mode - Time stamp (time of position data acquisition) - Plausibility check of the configurable parameters - Comprehensive diagnostic functions - Preset button for position - File Access over EtherCAT (FoE)
Process data	<ul style="list-style-type: none"> - Position value 32 bits input data with/without speed 32 bits - Extensive process data mapping
LED status indicator	2x Link/Activity, RUN, ERR

EAM580-B - EtherCAT

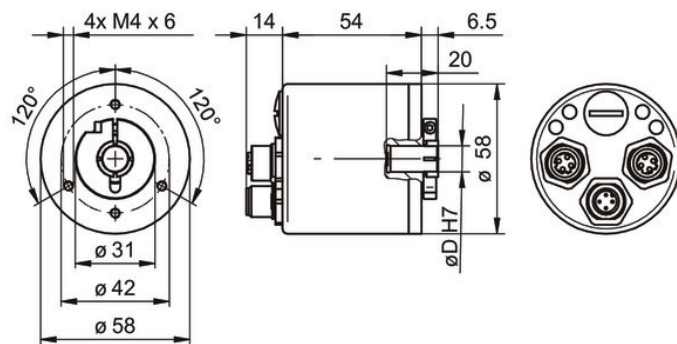
Blind hollow shaft

Magnetic multiturn encoders 14 bit ST / 16 bit MT

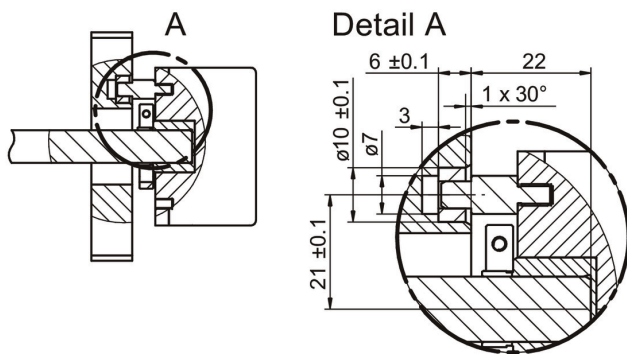
Dimensions



EAM580, with stator coupling



EAM580, w/o stator coupling



Torque pin

EAM580-B - EtherCAT

Blind hollow shaft

Magnetic multiturn encoders 14 bit ST / 16 bit MT

Ordering reference

	EAM580	-	B	#	##	.	#	Y	EC	.	14	16	0	.	A
Product	EAM580														
Shaft type	Blind hollow shaft														
															B
Flange (Hollow shaft)	Without stator coupling														N
	With stator coupling 68 mm														A
	Pin torque support 5 mm, axial														E
Blind hollow shaft	ø10 mm, clamping ring, A-side														A
	ø12 mm, clamping ring, A-side														C
	ø14 mm, clamping ring, A-side														E
	ø15 mm, clamping ring, A-side														F
Protection class	IP 65														5
	IP 67														7
Connection	Flange socket axial M12, 4-pin, female contacts, CW, 1 x M12, 4-pin, male contacts, CCW														Y
Voltage supply / interface	10...30 VDC, EtherCAT														EC
Resolution Singleturn	14 Bit														14
Resolution Multiturn	16 Bit														16
Resolution supplement	No option														0
Operating temperature	-40...+85 °C														A

Accessories

Mounting accessories

11136718 Set of spring washers - EAM580