

# EAM580-SY - PROFINET

Solid shaft with synchro flange

Magnetic multiturn encoders 14 bit ST / 16 bit MT

## Overview

- Encoder multiturn / PROFINET IO
- Precise magnetic sensing
- Resolution max. 30 bit (14 bit ST, 16 bit MT)
- Angular accuracy up to  $\pm 0.15^\circ$
- High protection up to IP 67
- High resistance to shock and vibrations
- LED status display



## Technical data

### Technical data - electrical ratings

Voltage supply	10...30 VDC
Consumption typ.	90 mA (24 VDC, w/o load)
Initializing time	$\leq 10$ s after power on
Interface	PROFINET IO
Function	Multiturn
Steps per revolution	$\leq 16384$ / 14 bit
Number of revolutions	$\leq 65536$ / 16 bit
Absolute accuracy	$\pm 0.15^\circ$ (+20 $\pm 15^\circ$ C) $\pm 0.25^\circ$ (-40...+85 $^\circ$ C)
Sensing method	Magnetic
Interference immunity	EN 61000-6-2
Emitted interference	EN 61000-6-4
Status indicator	4x LED integrated in housing
Approval	UL approval / E217823

### Technical data - mechanical design

Size (flange)	$\varnothing 58$ mm
Shaft type	$\varnothing 6 \times 10$ mm, solid shaft with flat
Flange	Synchro flange

### Technical data - mechanical design

Protection EN 60529	IP 65 (without shaft seal) IP 67 (with shaft seal)
Operating speed	$\leq 6000$ rpm
Starting torque	$\leq 2$ Ncm (+20 $^\circ$ C, IP 65) $\leq 2.5$ Ncm (+20 $^\circ$ C, IP 67)
Moment of inertia	15.38 gcm <sup>2</sup>
Admitted shaft load	$\leq 40$ N axial $\leq 80$ N radial
Material	Housing: steel zinc-coated Flange: aluminium Shaft: stainless steel
Operating temperature	-40...+85 $^\circ$ C (see general information)
Relative humidity	95 %
Resistance	EN 60068-2-6 Vibration 30 g, 10-2000 Hz EN 60068-2-27 Shock 250 g, 6 ms
Weight approx.	360 g
Connection	Flange connector 3xM12

## Optional

- Protection against corrosion CX (C5-M)

# EAM580-SY - PROFINET

Solid shaft with synchro flange

Magnetic multiturn encoders 14 bit ST / 16 bit MT

## General information

Self-heating interrelated to speed, protection, attachment method and ambient conditions as well electronics and supply voltage must be considered for precise thermal dimensioning. Self-heating is supposed to approximate 3 K (IP 65 protection) respectively 8 K (IP 67 protection) per 1000 rpm. Operating the encoder close to the maximum limits requires measuring the real prevailing temperature at the encoder flange.

## Terminal assignment

### Voltage supply

Pin	Assigned	Significance
1	+Vs	Voltage supply
2	d.u.	Do not connect
3	0 V	Ground
4	d.u.	Do not connect



1 x flange connector M12 (male), A-coded

### PROFINET (data line)

Pin	Assigned	Significance
1	TxD+	Transmission data+
2	RxD+	Receiving data+
3	TxD-	Transmission data-
4	RxD-	Receiving data-



2 x flange connector M12 (female), D-coded

## PROFINET features

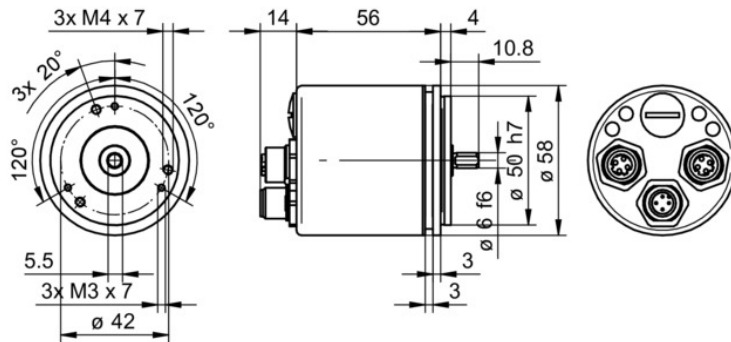
Bus protocol	PROFINET IO
Device profile	Encoder Profil PNO 3.162 V4.1 und V3.1 PROFIdrive Profil PNO 3.172 V4.1
Real time classes	Realtime (RT) Class 1, IRT Class 3
Send clock	RT: 1 ms, 2 ms, 4 ms IRT: 250 µs, 500 µs, 1 ms, 2 ms, 4 ms
Update time	Min. 500 µs
Features	- 100 MBaud Fast Ethernet - Device replacement without interchangeable media - Media redundancy MRP - Gear factor / Round axis
Process data	- Position value 32 bit input data with/without rotation speed 16 or 32 bit - Telegrams 81-83 of PROFIdrive profile
LED status indicator	Link/Activity, Status, Error

# EAM580-SY - PROFINET

Solid shaft with synchro flange

Magnetic multiturn encoders 14 bit ST / 16 bit MT

## Dimensions



# EAM580-SY - PROFINET

Solid shaft with synchro flange

Magnetic multiturn encoders 14 bit ST / 16 bit MT

## Ordering reference

	<b>EAM580</b>	-	<b>S</b>	<b>Y</b>	<b>6</b>	.	<b>#</b>	<b>Y</b>	<b>PT</b>	.	<b>14</b>	<b>16</b>	<b>0</b>	.	<b>A</b>
<b>Product</b>	EAM580														
<b>Shaft type</b>	Solid shaft		S												
<b>Flange (shaft)</b>	Synchro flange, centering collar ø50 x 4 mm, flute ø53 mm, pitch circle diameter ø42 - 3xM3/3xM4			Y											
<b>Shaft</b>	ø6 x 10 mm, with flat				6										
<b>Protection class</b>	IP 65														5
	IP 67														7
<b>Connection</b>	Flange socket axial M12, 4-pin, female contacts, CW, 1 x M12, 4-pin, male contacts, CCW								Y						
<b>Voltage supply / interface</b>	10...30 VDC, PROFINET IO									PT					
<b>Resolution Singleturn</b>	14 Bit												14		
<b>Resolution Multiturn</b>	16 Bit													16	
<b>Resolution supplement</b>	No option														0
<b>Operating temperature</b>	-40...+85 °C														A

## Accessories

### Mounting accessories

10252773	Clamp set ø15 mm
11050507	Bellows coupling (D1=06 / D2=10)
11065922	Coupling CPS25 (L=19, D1=10 / D2=06)
11065916	Coupling CPS25 (L=19, D1=06 / D2=06)
10141132	Spring washer coupling (D1=6 / D2=10)
10141131	Spring washer coupling (D1=6 / D2=6)
11069333	Coupling CPS37 (L=24, D1=06 / D2=06)
11069337	Coupling CPS37 (L=24, D1=10 / D2=06)
10117667	Mounting adaptor
10117668	Set of eccentric fixings for mounting clamp (10117667)