

POG 83 - DNV

Solid shaft $\varnothing 11$ mm with EURO flange B10
512...4096 pulses per revolution

Overview

- Encoder in stainless steel
- Offshore and salt water firm
- Approval DNV
- Protection IP 66
- Specialy designed for deck machinery and cranes in offshore and marine environment
- M23 flange connector in stainless steel



Technical data

Technical data - electrical ratings

Voltage supply	7...24 VDC
Consumption w/o load	≤ 70 mA
Pulses per revolution	512 ... 4096
Phase shift	$90^\circ \pm 10^\circ$
Duty cycle	40...60 %
Reference signal	Zero pulse, width 90°
Sensing method	Optical
Output frequency	≤ 160 kHz
Output signals	A+, A-, B+, B-, R+, R-
Output stages	HTL/push-pull
Interference immunity	EN 61000-6-2
Emitted interference	EN 61000-6-3
Approval	CE UL approval / E217823 DNV approval
Location classes DNV	Temperature: D Humidity: B Vibration: B EMC: B Enclosure: C

Technical data - mechanical design

Size (flange)	$\varnothing 115$ mm
Shaft type	$\varnothing 11$ mm solid shaft
Admitted shaft load	≤ 250 N axial ≤ 350 N radial
Flange	EURO flange B10
Protection EN 60529	IP 66
Operating speed	≤ 6000 rpm (mechanical)
Operating torque typ.	6.5 Ncm
Rotor moment of inertia	450 gcm ²
Material	Housing: stainless steel Shaft: stainless steel
Operating temperature	-40...+85 °C
Resistance	IEC 60068-2-6 Vibration 20 g, 10-2000 Hz IEC 60068-2-27 Shock 300 g, 1 ms
Corrosion protection	IEC 60068-2-52 Salt mist for ambient conditions CX (C5-M) according to ISO 12944-2
Connection	Flange connector M23
Weight approx.	3.5 kg

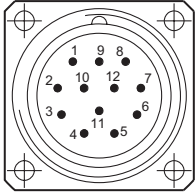
POG 83 - DNV

Solid shaft $\varnothing 11$ mm with EURO flange B10
512...4096 pulses per revolution

Terminal assignment

View A (see dimension)

Assignment flange connector



Flange connector M23,
male, 12-pin,
counter-clockwise (CCW)

Pin	Assignment
1	B-
2	dnu
3	R+
4	R-
5	A+
6	A-
7	dnu
8	B+
9	dnu
10	0V (\perp)
11	dnu
12	+UB

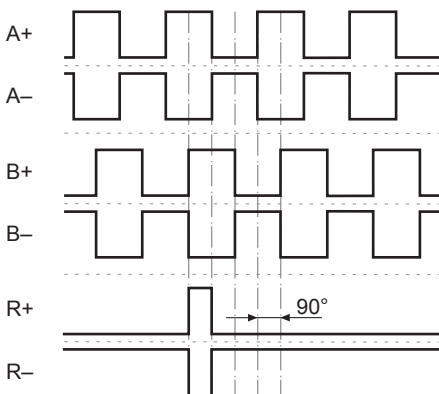
Terminal significance

+UB	Voltage supply
0V (\perp)	Ground
A+	Output signal channel 1
A-	Output signal channel 1 inverted
B+	Output signal channel 2 (offset by 90° to channel 1)
B-	Output signal channel 2 inverted
R+	Zero pulse (reference signal)
R-	Zero pulse inverted
dnu	Do not use

Output signals

HTL

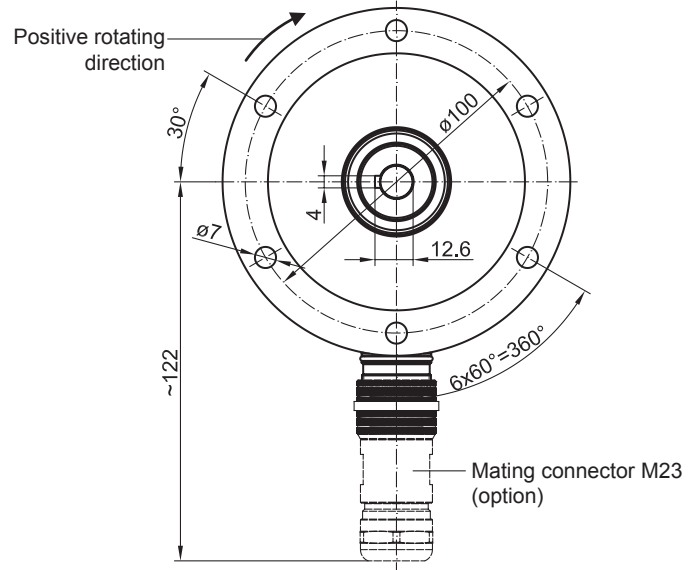
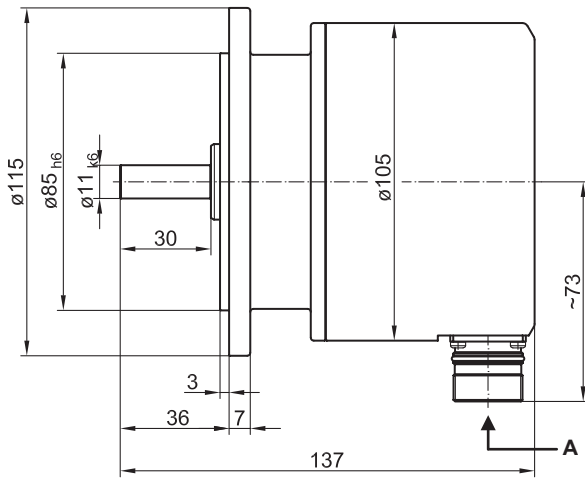
At positive rotating direction (see dimension)



POG 83 - DNV

Solid shaft $\varnothing 11$ mm with EURO flange B10
512...4096 pulses per revolution

Dimensions



POG 83 - DNV

Solid shaft ø11 mm with EURO flange B10

512...4096 pulses per revolution

Ordering reference

	POG83	-	S	N	6	.	1	F	D	.####	/ 0116
Product	Incremental encoder										
Shaft type	Solid shaft			S							
Flange (Solid shaft)	EURO flange B10, without shaft isolation			N							
Protection class	IP 66				6						
Solid shaft	Ø11 mm, featherkey 4 mm						1				
Connection	Flange connector M23, 12 pin, radial, male contacts, CCW							F			
Supply voltage / output stages	7...24 VDC, HTL push-pull (Vin=Vout), 6 channels								D		
Pulses per revolution	512										0512
	1024										1024
	2048										2048
	4096										4096
Option approval	DNV GL										0116

(1) Other pulse numbers on request.

Accessories

Mounting accessories

- Spring disk coupling K 35 (shaft ø6...12 mm)
- Spring disk coupling K 50 (shaft ø11...16 mm)
- Spring disk coupling K 60 (shaft ø11...22 mm)