

**Overview**

- Best measuring performance due to precise measuring principle
- Simple teach-in via line teach
- Shortest blind zone in its class
- High performance in compact housing



**Technical data**

**General data**

Scanning range Sd	15 ... 500 mm
Scanning range close limit Sdc	15 ... 500 mm
Scanning range far limit Sde	15 ... 500 mm
Repeat accuracy	< 0.5 mm
Resolution	< 0.3 mm
Response time ton	< 16 ms
Release time toff	< 40 ms
Temperature drift	> 50 mm < 2 % of distance to target Sde < 50 mm ± 1 mm
Power-up drift	Compensated after 15 min.
Sonic frequency	290 kHz
Adjustment	line-Teach
Light indicator	LED yellow
Power on indication	LED green
Alignment measuring axis	< 2°

**Electrical data**

Voltage supply range +Vs	12 ... 30 VDC
--------------------------	---------------

**Electrical data**

Current consumption typ.	35 mA
Output circuit	Current output
Output signal	4 ... 20 mA / 20 ... 4 mA
Load resistance	< (+Vs - 10V) / 0,02 A
Residual ripple	< 10 % Vs
Short circuit protection	Yes
Reverse polarity protection	Yes, Vs to GND

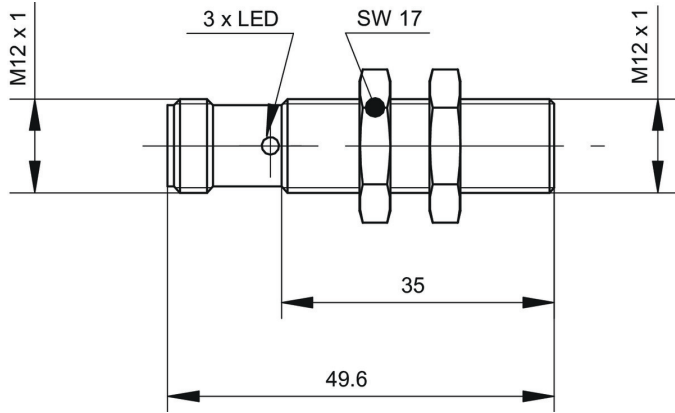
**Mechanical data**

Design	Cylindrical threaded
Housing material	Brass nickel plated
Width / diameter	12 mm
Height / length	50 mm
Connection types	Connector M12 5 pin
Tightening torque max.	15 Nm (Front: 10 Nm)

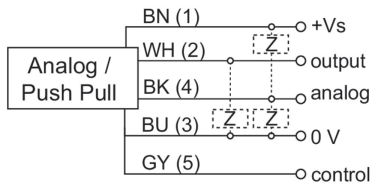
**Ambient conditions**

Operating temperature	-25 ... +65 °C
Storage temperature	-40 ... +75 °C
Protection class	IP 67

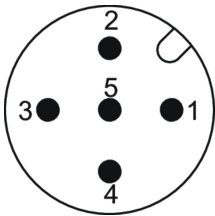
**Dimension drawing**



**Connection diagram**



**Pin assignment**



**Typical sonic cone profile**

