

**Overview**

- Fastest limit value detection due to extremely short response times
- Flexible parameterization and additional diagnostic data thanks to IO-Link
- Shortest blind zone in its class
- High performance in compact housing



Picture similar



**Technical data**

**General data**

|                                 |                             |
|---------------------------------|-----------------------------|
| Scanning range Sd               | 15 ... 500 mm               |
| Scanning range far limit Sde    | 15 ... 500 mm               |
| Version                         | IO-Link Multiplex version   |
| Hysteresis typ.                 | 4 % Sde                     |
| Repeat accuracy                 | 0.5 mm                      |
| Temperature drift               | < 2 % Sde                   |
| Power-up drift                  | Compensated after 15 min.   |
| Response time ton/toff min      | < 16 ms                     |
| Response time ton/toff standard | < 40 ms                     |
| Sonic frequency                 | 290 kHz                     |
| Adjustment                      | qTeach, line-Teach, IO-Link |
| Light indicator                 | LED yellow                  |
| Power on indication             | LED green                   |
| Alignment measuring axis        | < 2°                        |

**Electrical data**

|                             |               |
|-----------------------------|---------------|
| Voltage supply range +Vs    | 12 ... 30 VDC |
| Current consumption typ.    | 35 mA         |
| Output circuit              | Push-pull     |
| Output current              | 100 mA        |
| Voltage drop Vd             | <3 VDC        |
| Residual ripple             | < 10 % Vs     |
| Short circuit protection    | Yes           |
| Reverse polarity protection | Yes           |

**Communication interface**

|            |                    |
|------------|--------------------|
| Interface  | IO-Link V1.1       |
| Baud rate  | 38,4 kBaud (COM 2) |
| Cycle time | ≥ 8 ms             |

**Communication interface**

|                        |   |
|------------------------|---|
| Process data length    | 48 Bit  |
| Process data structure | Bit 0 = SSC1 (distance)<br>Bit 1 = SSC2 (distance)<br>Bit 2 = quality<br>Bit 3 = alarm<br>Bit 5 = SSC4 (counter)<br>Bit 8-15 = scale factor<br>Bit 16-47 = 32 Bit measurement |
| IO-Link port type      | Class A   |
| Additional data        | Distance<br>Excess gain<br>Operating cycles<br>Operating hours<br>Boot cycles<br>Operating voltage<br>Device temperature<br>Histograms  |
| Adjustable parameters  | Time filters<br>LED status indicators<br>Output logic<br>Output circuit<br>Counter<br>Beam forming<br>Deactivate the sensor element<br>Find Me function                       |
| IO-Link                | Yes   |

**Mechanical data**

|                  |                     |
|------------------|---------------------|
| Design           | Rectangular         |
| Housing material | Plastic (ASA, PMMA) |
| Width / diameter | 12.9 mm             |
| Height / length  | 32.2 mm             |
| Depth            | 23 mm               |
| Connection types | Connector M8 4 pin  |

**Technical data**

**Ambient conditions**

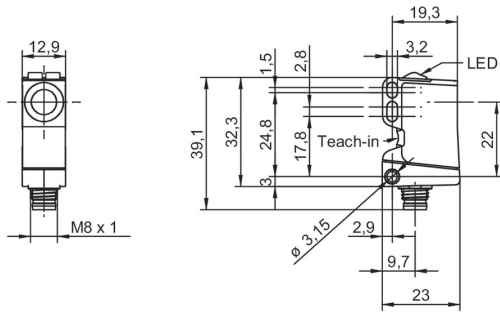
Operating temperature -25 ... +65 °C

**Ambient conditions**

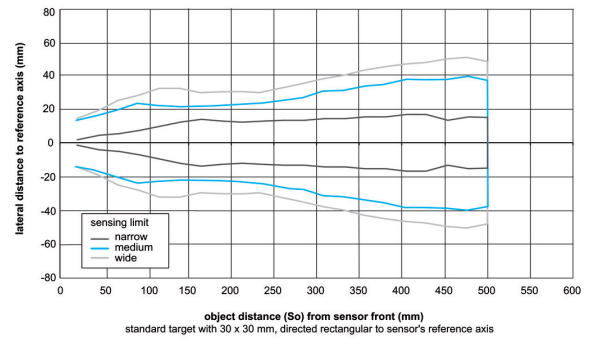
Storage temperature -40 ... +75 °C

Protection class IP 67

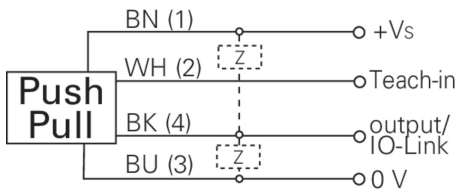
**Dimension drawing**



**Typical sonic cone profile**



**Connection diagram**



**Pin assignment**

