

U500.PA0-GP1B.72CU

Ultrasonic proximity sensors - standard

Article number: 11120936

Overview

- 100 ... 1000 mm
- push-pull
- qTeach
- cable PUR 4 x 0,25, 2 m
- -25 ... 65 °C
- IP 67



Picture similar



Technical data

General data

Scanning range Sd	100 ... 1000 mm
Scanning range far limit Sde	100 ... 1000 mm
Hysteresis typ.	4 % Sde
Repeat accuracy	0.5 mm
Temperature drift	< 2 % Sde
Power-up drift	Compensated after 15 min.
Response time ton	< 50 ms
Release time toff	< 50 ms
Sonic frequency	220 kHz
Adjustment	qTeach
Light indicator	LED yellow
Power on indication	LED green
Alignment measuring axis	< 2°

Electrical data

Voltage supply range +Vs	12 ... 30 VDC
Current consumption typ.	35 mA

Electrical data

Output circuit	Push-pull
Output current	< 100 mA
Voltage drop Vd	< 3.5 VDC
Residual ripple	< 10 % Vs
Short circuit protection	Yes
Reverse polarity protection	Yes

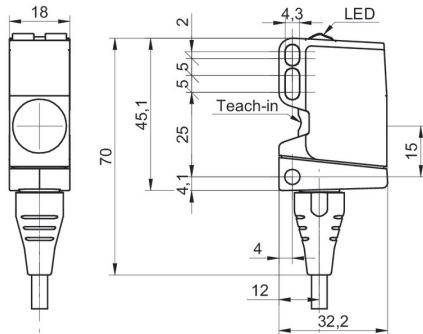
Mechanical data

Type	Rectangular
Housing material	Plastic (ASA, PMMA)
Width / diameter	18 mm
Height / length	45 mm
Depth	32 mm
Connection types	Cable PUR 4 x 0,25, 2 m

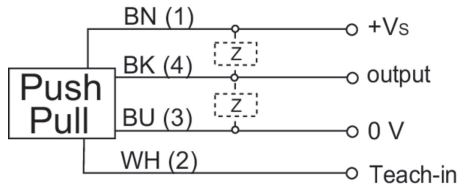
Ambient conditions

Operating temperature	-25 ... +65 °C
Storage temperature	-40 ... +75 °C
Protection class	IP 67

Dimension drawing



Connection diagram



Typical sonic cone profile

