

Overview

- Fastest limit value detection due to extremely short response times
- Flexible parameterization and additional diagnostic data thanks to IO-Link
- Shortest blind zone in its class
- High performance in compact housing



Picture similar



Technical data

General data

Scanning range Sd	20 ... 1000 mm
Scanning range close limit Sdc	20 ... 1000 mm
Scanning range far limit Sde	20 ... 1000 mm
Version	IO-Link Multiplex version
Hysteresis typ.	4 % Sde
Repeat accuracy	0.5 mm
Temperature drift	< 2 % of distance to target Sde
Power-up drift	Compensated after 15 min.
Response time ton/toff min	< 24 ms
Response time ton/toff standard	< 60 ms
Sonic frequency	220 kHz
Light indicator	LED yellow
Power on indication	LED green
Alignment measuring axis	< 2°

Electrical data

Voltage supply range +Vs	12 ... 30 VDC
Current consumption typ.	12 mA
Output circuit	Push-pull
Output current	<100 mA
Voltage drop Vd	<3 VDC
Residual ripple	< 10 % Vs
Short circuit protection	Yes
Reverse polarity protection	Yes, Vs to GND

Communication interface

Interface	IO-Link V1.1
Baud rate	38,4 kBaud (COM 2)

Communication interface

Cycle time	≥ 12 ms
Process data length	48 Bit
Process data structure	Bit 0 = SSC1 (distance) Bit 1 = SSC2 (distance) Bit 2 = quality Bit 3 = alarm Bit 5 = SSC4 (counter) Bit 8-15 = scale factor Bit 16-47 = 32 Bit measurement
IO-Link port type	Class A
Additional data	Distance Excess gain Operating cycles Operating hours Boot cycles Operating voltage Device temperature Histograms

Adjustable parameters	Switching point Switching hysteresis Measured value filtering Time filters LED status indicators Output logic Output circuit Counter Beam forming Analog output characteristic Deactivate the sensor element Find Me function
-----------------------	--

Mechanical data

Design	Rectangular
Housing material	Plastic (ASA, PMMA)
Width / diameter	20.5 mm

Technical data

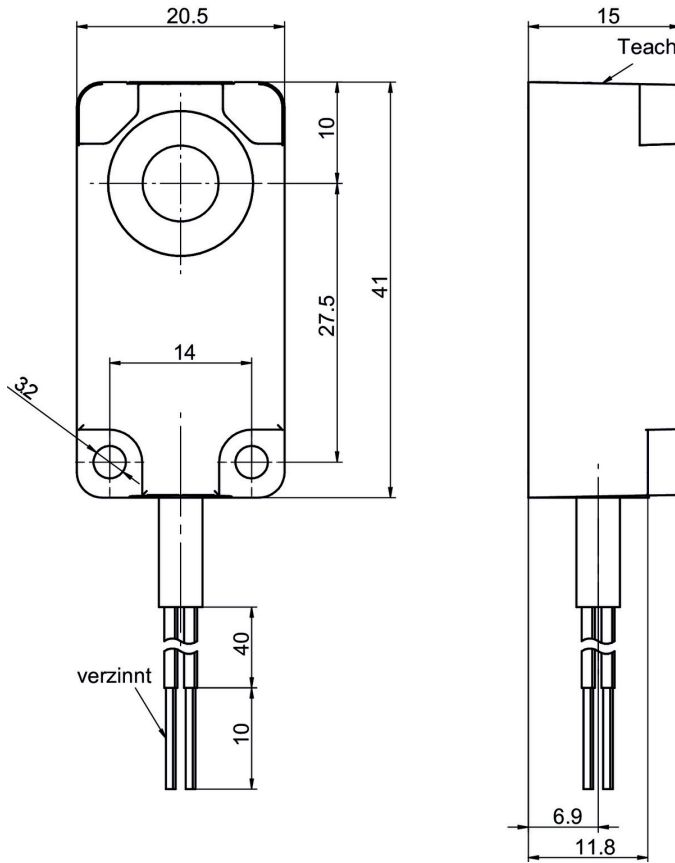
Mechanical data

Height / length	41 mm
Depth	15 mm
Connection types	Cable 4 pin, 2 m

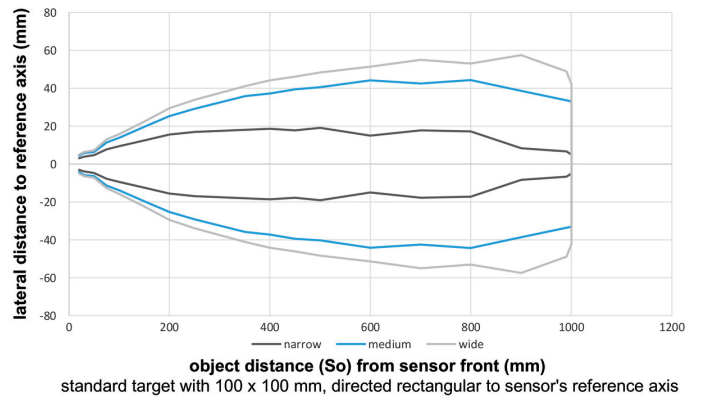
Ambient conditions

Operating temperature	-25 ... +65 °C
Storage temperature	-25 ... +75 °C
Protection class	IP 67

Dimension drawing



Typical sonic cone profile



Connection diagram

