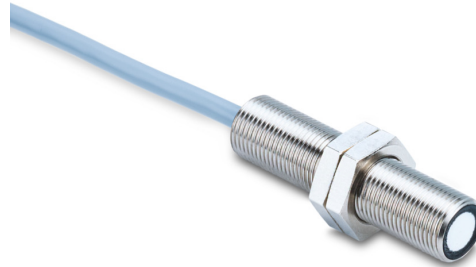


**Overview**

- Fastest limit value detection due to extremely short response times
- Flexible parameterization and additional diagnostic data thanks to IO-Link
- Shortest blind zone in its class
- High performance in compact housing



**Technical data**

**General data**

Scanning range Sd	15 ... 500 mm
Scanning range close limit Sdc	15 ... 500 mm
Scanning range far limit Sde	15 ... 500 mm
Version	IO-Link Multiplex version
Hysteresis typ.	4 % Sde
Repeat accuracy	< 0.5 mm
Temperature drift	> 50 mm < 2 % of distance to target Sde < 50 mm ± 1 mm
Power-up drift	Compensated after 15 min.
Response time ton/toff min	< 16 ms
Response time ton/toff standard	< 40 ms
Sonic frequency	290 kHz
Adjustment	line-Teach, IO-Link
Light indicator	LED yellow
Power on indication	LED green
Alignment measuring axis	< 2°
Resolution	< 0.3 mm

**Electrical data**

Voltage supply range +Vs	12 ... 30 VDC
Current consumption typ.	35 mA
Output circuit	Push-pull
Output current	100 mA
Voltage drop Vd	<3 VDC
Residual ripple	< 10 % Vs
Short circuit protection	Yes
Reverse polarity protection	Yes, Vs to GND

**Communication interface**

Interface	IO-Link V1.1
Baud rate	38,4 kBaud (COM 2)
Cycle time	≥ 8 ms
Process data length	48 Bit
Process data structure	Bit 0 = SSC1 (distance) Bit 1 = SSC2 (distance) Bit 2 = quality Bit 3 = alarm Bit 5 = SSC4 (counter) Bit 8-15 = scale factor Bit 16-47 = 32 Bit measurement
IO-Link port type	Class A

Additional data	Distance Excess gain Operating cycles Operating hours Boot cycles Operating voltage Device temperature Histograms
-----------------	--

Adjustable parameters	Time filters LED status indicators Output logic Output circuit Counter Beam forming Deactivate the sensor element Find Me function
-----------------------	---

IO-Link	Yes
---------	-----

**Mechanical data**

Design	Cylindrical threaded
Housing material	Brass nickel plated
Width / diameter	12 mm
Height / length	50 mm

**Technical data**

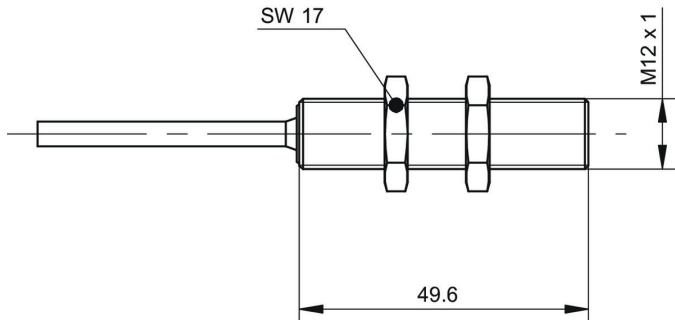
**Mechanical data**

Connection types	Cable 5 pin, 2 m
Tightening torque max.	15 Nm (Front: 10 Nm)

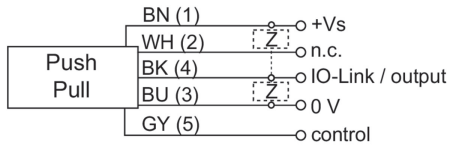
**Ambient conditions**

Operating temperature	-25 ... +65 °C
Storage temperature	-40 ... +75 °C
Protection class	IP 67

**Dimension drawing**



**Connection diagram**



**Typical sonic cone profile**

