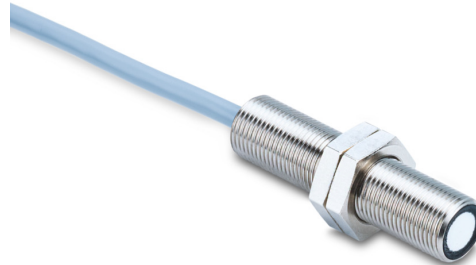


Overview

- Most reliable object detection through barrier principle
- Acquisition of two independent limit values
- Detection of double sheets
- High performance in compact housing



Technical data

General data

Emitter / receiver	Receiver
Scanning range Sd	0 ... 1000 mm
Scanning range close limit Sdc	15 ... 1000 mm
Scanning range far limit Sde	0 ... 1000 mm
Version	IO-Link
Object size (at Sd = 50 mm)	> 4 cm ²
Hysteresis typ.	5 % Sde
Repeat accuracy	1 mm
Temperature drift	< 2 % Sde
Response time ton	< 2 ms
Release time toff	< 2 ms
Adjustment	line-Teach, IO-Link
Sonic frequency	290 kHz
Alignment aid	Target indication flashing
Output indicator	LED yellow
Power on indication	LED green

Electrical data

Voltage supply range +Vs	12 ... 30 VDC
Current consumption max. (no load)	35 mA
Output circuit	Push-pull
Output current	100 mA
Voltage drop Vd	<3 VDC
Residual ripple	< 10 % Vs
Short circuit protection	Yes
Reverse polarity protection	Yes, Vs to GND

Communication interface

Interface	IO-Link V1.1
-----------	--------------

Communication interface

Baud rate	230,4 kBaud (COM 3)
Cycle time	≥ 0.8 ms
Process data length	48 Bit
Process data structure	Bit 0 = SSC1 Bit 1 = SSC2 Bit 3 = alarm Bit 16-31 = 16 Bit measurement
IO-Link port type	Class A
Additional data	Excess gain Operating cycles Operating hours Boot cycles Operating voltage Device temperature Histograms
Adjustable parameters	Time filters LED status indicators Output logic Output circuit Counter Deactivate the sensor element Find Me function

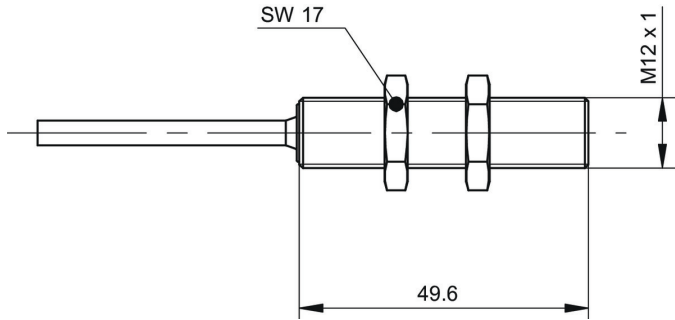
Mechanical data

Design	Cylindrical threaded
Housing material	Brass nickel plated
Width / diameter	12 mm
Height / length	50 mm
Connection types	Cable 5 pin, 2 m
Tightening torque max.	15 Nm (Front: 10 Nm)

Ambient conditions

Operating temperature	-25 ... +65 °C
Storage temperature	-40 ... +75 °C
Protection class	IP 67

Dimension drawing



Connection diagram

