

Overview

- Most reliable object detection through barrier principle
- Acquisition of two independent limit values
- Detection of double sheets
- High performance in compact housing



Technical data

General data

| | |
|--------------------------------|----------------------------|
| Emitter / receiver | Receiver |
| Scanning range Sd | 0 ... 1000 mm |
| Scanning range close limit Sdc | 15 ... 1000 mm |
| Scanning range far limit Sde | 0 ... 1000 mm |
| Version | IO-Link |
| Object size (at Sd = 50 mm) | > 4 cm ² |
| Hysteresis typ. | 5 % Sde |
| Repeat accuracy | 1 mm |
| Temperature drift | < 2 % Sde |
| Response time ton | < 2 ms |
| Release time toff | < 2 ms |
| Adjustment | line-Teach, IO-Link |
| Sonic frequency | 290 kHz |
| Alignment aid | Target indication flashing |
| Output indicator | LED yellow |
| Power on indication | LED green |

Electrical data

| | |
|------------------------------------|----------------|
| Voltage supply range +Vs | 12 ... 30 VDC |
| Current consumption max. (no load) | 35 mA |
| Output circuit | Push-pull |
| Output current | 100 mA |
| Voltage drop Vd | <3 VDC |
| Residual ripple | < 10 % Vs |
| Short circuit protection | Yes |
| Reverse polarity protection | Yes, Vs to GND |

Communication interface

| | |
|-----------|--------------|
| Interface | IO-Link V1.1 |
|-----------|--------------|

Communication interface

| | |
|------------------------|---|
| Baud rate | 230,4 kBaud (COM 3) |
| Cycle time | ≥ 0.8 ms |
| Process data length | 48 Bit |
| Process data structure | Bit 0 = SSC1 Bit 1 = SSC2 Bit 3 = alarm Bit 16-31 = 16 Bit measurement |
| IO-Link port type | Class A |
| Additional data | Excess gain Operating cycles Operating hours Boot cycles Operating voltage Device temperature Histograms |
| Adjustable parameters | Time filters LED status indicators Output logic Output circuit Counter Deactivate the sensor element Find Me function |

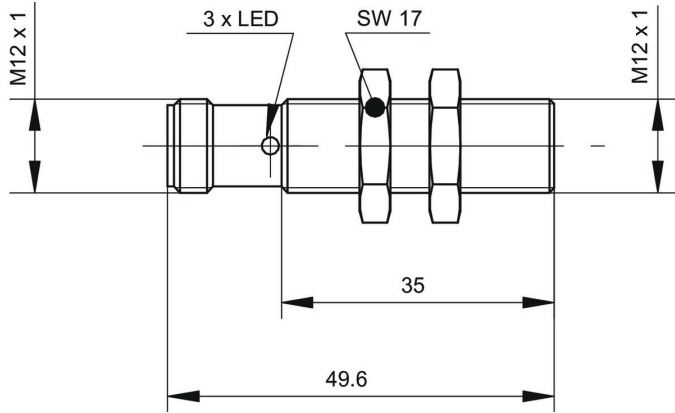
Mechanical data

| | |
|------------------------|----------------------|
| Design | Cylindrical threaded |
| Housing material | Brass nickel plated |
| Width / diameter | 12 mm |
| Height / length | 50 mm |
| Connection types | Connector M12 5 pin |
| Tightening torque max. | 15 Nm (Front: 10 Nm) |

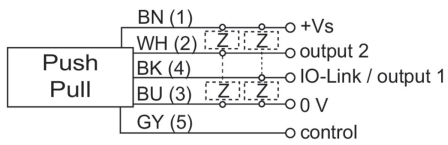
Ambient conditions

| | |
|-----------------------|----------------|
| Operating temperature | -25 ... +65 °C |
| Storage temperature | -40 ... +75 °C |
| Protection class | IP 67 |

Dimension drawing



Connection diagram



Pin assignment

