



Digitized Automation for a Changing World

Delta Temperature Controller DT Series



Features

Many Sizes Available:

- From 48×24 mm to 96×96 mm, all panel sizes comply with international standards

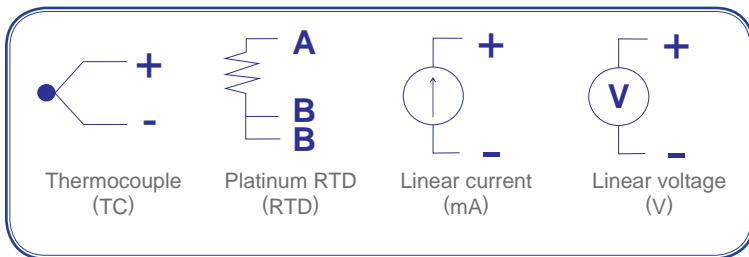
Quality Assurance:

- All temperature controllers adopt an isolated switching power supply
- 100~240 V_{AC}/24 V_{DC} input power supply applicable in all countries of the world
- CE, UL and C-Tick certified



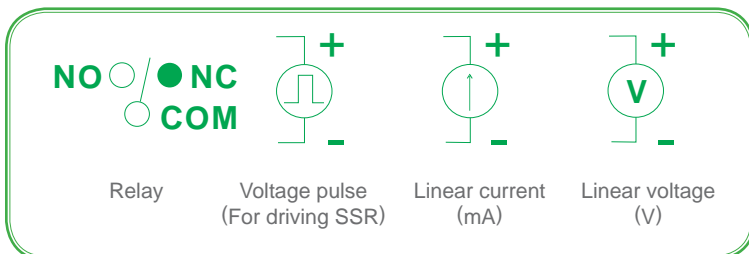
Supports Various Sensors:

- Built-in various sensor input modes: Thermocouple, platinum RTD or linear voltage/current



Various Output Modes:

- Relay, voltage pulse, linear voltage, and linear current



Stable Control:

- Built-in PID control function with accurate auto-tuning (AT)
- PID parameters are automatically calculated, enhancing the stability of the system and accuracy of control



Current Transformer (CT):

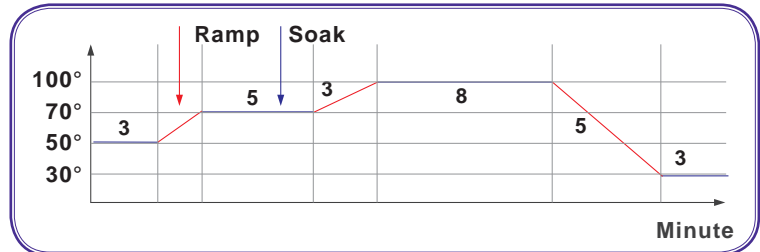
- CT can enable the off-line alarm and detect overloaded current





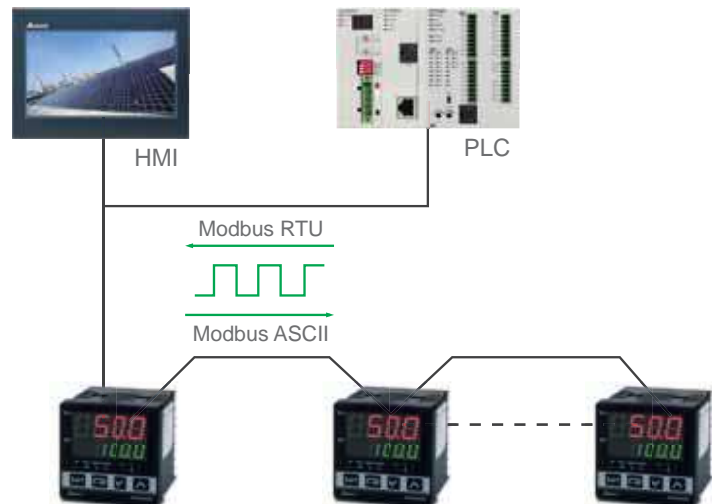
Programmable Control:

- Max. 8 patterns available, with 8 steps in each pattern for planning various temperature control curves; no need for a master controller



Communication:

- RS-485 communication interface, supporting Modbus ASCII/RTU communication



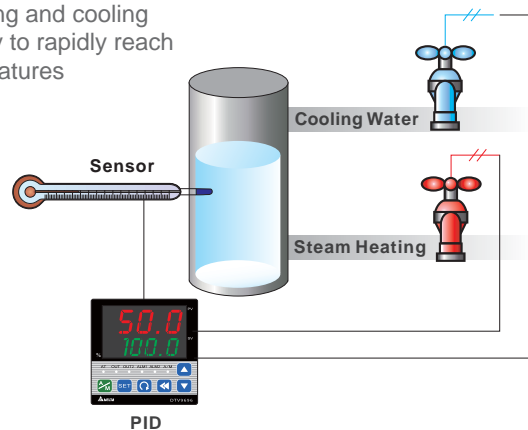
Safety:

- The key-locking function and communication protection prevent incorrect operations



Dual Output Control:

- Controls heating and cooling simultaneously to rapidly reach the set temperatures



Delta Temperature Controller DT Series

Advanced Intelligent Temperature Controller DT3

Modular design with various control modes, heater disconnection detection, and remote input

04



Advanced Temperature Controller DTB

Linear voltage control output and dual-loop control output

10



Intelligent Temperature Controller DTK

Simple design with high-speed data collection for basic application

11



Standard Temperature Controller DTI

Basic single channel input and output

13



Multi-Loop Modular Temperature Controller DTM

Various input channel, multi-point temperature control, available in RS-485 Type and Ethernet Type

15



Modular Temperature Controller DTC

Modular design for series connection to monitor multiple points, save installation space, and connect flexibly per output requirements

23



Multi-channel Modular Temperature Controller DTE

Supports up to 8 sets of thermocouple or 6 sets of platinum RTD, multiple output modules available

24



Valve Controller DTV

Suitable for DTV control applications, easy setting and built-in Modbus for efficient data collection

25



Products

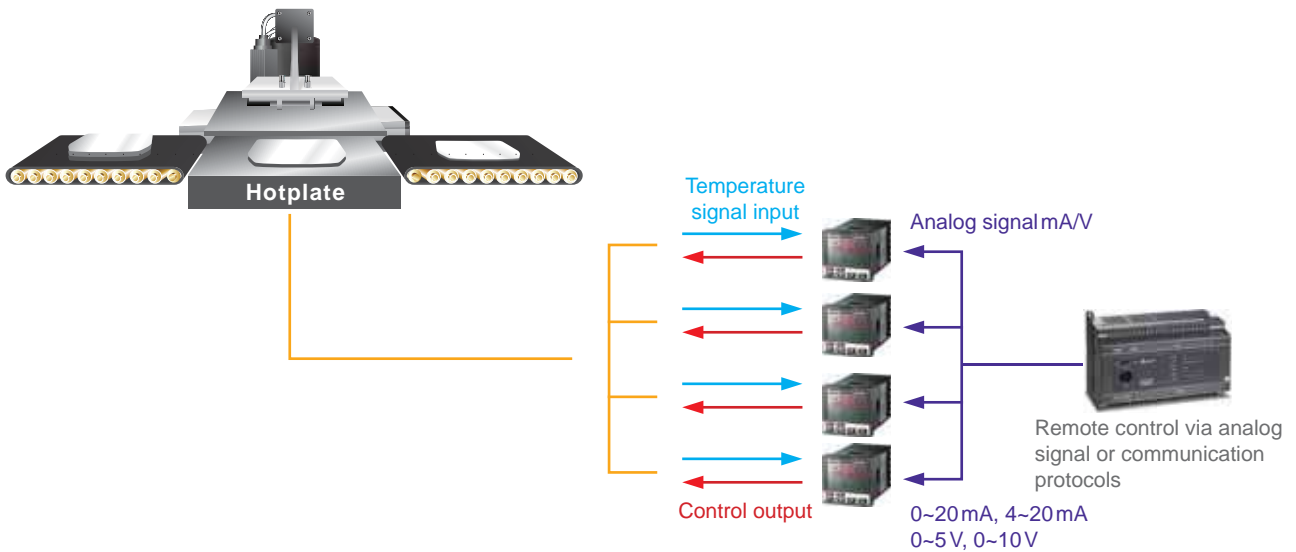
DT3 High-speed Intelligent Temperature Controller

The Delta temperature controller DT3 series is designed with upgraded hardware and high specifications as well as smart operation, fast response, easy integration, and user-friendly and user-definable function keys. With Self-Tuning and Fuzzy temperature control functions, controllers can be installed in open space or confined space applications and are capable of presenting a smooth temperature control curve. In addition, the innovative design enables customers to replace the module with new functions to attain the ultimate in extension flexibility.



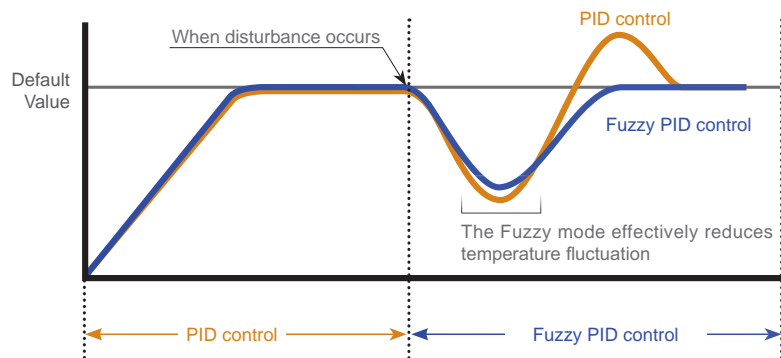
Remote Control

Sets DT3 temperature via analog output of host controller



Various Control Modes

- ▶ Auto-tuning
- ▶ Fuzzy
- ▶ Manual
- ▶ On/Off
- ▶ PID Process Control
- ▶ Self-tuning



■ Extension Ability

Modular design of functional devices for flexible replacement



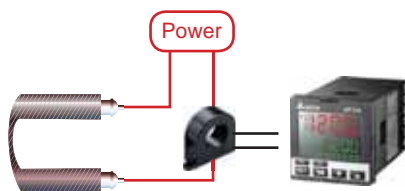
■ Large Tri-color LCD Display

Tri-color temperature controller



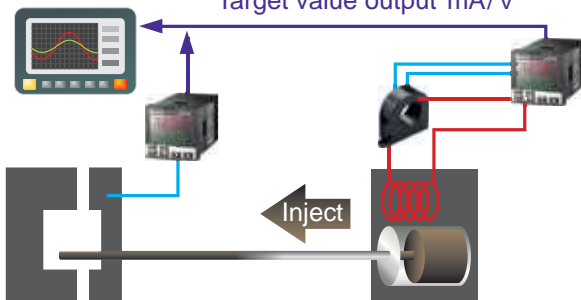
■ Heater Disconnection Detection

Measurable up to 100 A with a current transformer (CT)



■ Retransmission Output

0~20 mA, 4~20 mA, 0~5 V, 0~10 V
Target value output mA/V



■ User-defined Function Keys

- ▶ Menu
- ▶ Auto-tuning
- ▶ Run/Stop Mode
- ▶ Program suspension
- ▶ Control modes selection



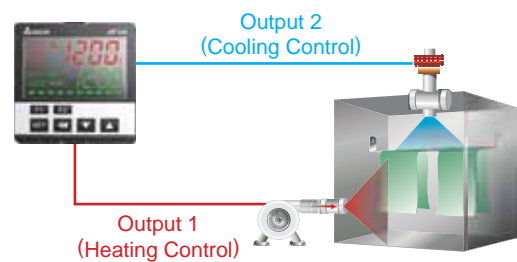
■ Point-to-point Control (Proportional Output mA)

Sets the target value by point-to-point control



■ Dual-output Control

- ▶ Two outputs for rapid heating/cooling to achieve a designated temperature
- ▶ AT function is used to automatically calculate two PID parameters, one for heating and the other for cooling



Specifications

Input power supply	100 to 240V _{AC} , 50/60Hz, 24V _{DC} ±10%
Display method	LCD. Present Value: Orange, Set Value: green
Input sensors	Thermocouple: K, J, T, E, N, R, S, B, L, U, TXK
	Platinum RTD: Pt100, JPt100; RTD: Cu50, Ni120
	Analog input: 0~5V, 0~10V, 0~20mA, 4~20mA, 0~50mV
Control modes	PID, PID programmable, Fuzzy, Self-tuning, Manual, On/Off
Display accuracy	0 or 1 digit to the right of the decimal point
Sampling rate	Analog input: 0.1 sec. Thermocouple or platinum RTD: 0.1 sec.
Operating ambient temperature	0~+50°C
Operating relative humidity	35~80% RH (non-condensing)

Alarm Outputs

The DT3 offers 3 alarm outputs, and each alarm output has 18 alarm modes to choose from in the initial setting mode. When the target temperature exceeds or falls below the set point, the alarm output is enabled.

SV	Alarm Mode	Alarm Output Operation
0	Alarm function disabled	
1	Deviation upper- and lower-limit: This alarm output operates when PV value is higher than the set value SV + (AL - H) or lower than the set value SV - (AL - L).	
2	Deviation upper-limit: This alarm output operates when PV value is higher than the set value SV + (AL - H).	
3	Deviation lower-limit: This alarm output operates when PV value is lower than the set value SV - (AL - L).	
4	Absolute value upper- and lower-limit: This alarm output operates when PV value is higher than the set value AL-H or lower than the set value AL - L.	
5	Absolute value upper-limit: This alarm output operates when PV value is higher than the set value AL - H.	
6	Absolute value lower-limit: This alarm output operates when PV value is lower than the set value AL - L.	
7	Hysteresis upper-limit alarm output: This alarm output operates if PV value is higher than the set value SV + (AL - H). This alarm output is Off when PV value is lower than the set value SV + (AL - L).	
8	Hysteresis lower-limit alarm output: This alarm output operates if PV value is lower than the set value SV - (AL - H). This alarm output is Off when PV value is higher than the set value SV - (AL - L).	
9	Disconnection Alarm: This alarm output operates if the sensor connection is incorrect or has been disconnected.	
11	CT2 Alarm: CT2 is ON if the value of CT2 is lower than the value of AL - L or higher than AL - H.	
12	CT2 Alarm: CT2 is ON if the value of CT2 is lower than the value of AL - L or higher than AL - H.	
13	When SOAK status (temperature hold) happens to PID program control, alarm output is ON.	
14	When RAMP UP status happens to PID program control, alarm output is ON.	
15	When RAMP DOWN status happens to PID program control, alarm output is ON.	
16	When Run status happens to PID program control, alarm output is ON.	
17	When HOLD status happens to PID program control, alarm output is ON.	
18	When Stop status happens to PID program control, alarm output is ON.	
19	When END status happens to PID program control, alarm output is ON.	

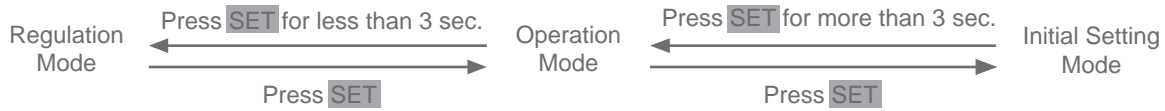
RS-485 Communication

DT3 supports baud rate 2,400 to 38,400 bps, Modbus ASCII/RTU protocol, function code 03H and reads maximum 8 words from the register.

Address	Content	Definition
1000H	Present value (PV)	Measuring unit: 0.1 scale. The following values mean an error has occurred. 8002H: Temperature not yet acquired 8003H: Not connected to sensor 8004H: Incorrect sensor
1001H	Set value (SV)	Measuring unit: 0.1 scale
1002H	Upper limit of temp. range	Cannot exceed the default value
1003H	Lower limit of temp. range	Cannot fall below the default value
1005H	Control mode	0: PID, 1: On/Off, 2: Manual, 3: Fuzzy
1006H	Heating/Cooling control	0: Heating/Heating, 1: Cooling/Heating, 2: Heating/Cooling, 3: Cooling/Cooling
1007H	1 st Heating/Cooling control cycle	0.1 ~ 99 sec.
1008H	2 nd Heating/Cooling control cycle	0.1 ~ 99 sec.
1009H	Proportional band (PB)	0.1 ~ 999.9
100AH	Ti value	0 ~ 9999
100BH	Td value	0 ~ 9999
1012H	Read/write Output 1 volume	Unit: 0.1 %, only valid in manual control mode
1013H	Read/write Output 2 volume	Unit: 0.1 %, only valid in manual control mode
1016H	Regulated temp. value	-99.9 ~ +99.9, Unit: 0.1
102AH	Read/write LED status	b0: ALM3, b1: ALM2, b2: °F, b3: °C, b4: ALM1, b5: OUT2, b6: OUT1, b7: AT
102BH	Read/write key status	b0: Set, b1: Select, b2: Up, b3: Down, 0: Press it
102CH	Panel lockup status	0: Normal, 1: Fully locked, 11: SV adjustable
102DH	CT value	Unit: 0.1A
103BH	AT setting	0: Off (default), 1: On
103CH	Control Run/Stop setting	0: Stop, 1: Run (default), 2: End (program), 3: Hold (program)



Parameters Operation



Regulation Mode	Operation Mode	Initial Setting Mode
RL Auto-tuning (when CTRL set in PID or Fuzzy and in Run mode) Press ◀ ▽	1234 Use ▲ ▼ to set up target temperature Press ◀ ▽	Ctrl Set up input type Press ◀ ▽
St Self-tuning switch (set when in PID control and the TUNE parameter = ST)	R-S Control loop Run or Stop	EPUN Set up temperature unit (not displayed when in analog input)
d Select the nth (n = 0~5) PID. When n = 6, PID is auto-selected.	PERM Set up start pattern (when in PID process control and PSLP)	EP-H Set up upper temperature limit
Pdof Set up PID control offset	SLSP Set up start step (when in programmable control)	EP-L Set up lower temperature limit
FZ-R Set up Fuzzy gain value	SP Set up the position of decimal point	CTRL Select control modes
FZdb Set up Fuzzy Deadband	LoC Lock the keys	CTRLS Select SV control modes
o1-S Adjust Output 1 hysteresis (when in On/Off control)	AL1H Set up upper limit of Alarm 1	WTSW Set up waiting temperature (when in programmable control)
o2-S Adjust Output 2 hysteresis (when in On/Off control)	AL1L Set up lower limit of Alarm 1	W-TM Set up waiting time (when in programmable control)
o1-H o1-C Control cycle for Output 1 (except in On/Off control)	AL2H Set up upper limit of Alarm 2	SLOP Set up start slope (when in programmable control)
o2-H o2-C Control cycle for Output 2 (except in On/Off control)	AL2L Set up lower limit of Alarm 2	PRPM Select pattern to be edited
CoEF Ratio of Output 1 against Output 2 when in dual output control (set when in PID and dual output control)	AL3H Set up upper limit of Alarm 3	TUNE Select AT or ST
dERd Set up deadband (when in dual output)	AL3L Set up lower limit of Alarm 3	S-HC Select heating, cooling or dual output heating and cooling
PV-F Set up input filter factor	AL1HP Record highest temperature of Alarm 1	ALR1 ALR2 ALR3 Set up Alarm 1 mode
R Set up input filter range	AL1LP Record lowest temperature of Alarm 1	ALI1 ALI2 ALI3 Set up Alarm 1 options
PVoF Adjust input compensation	AL2HP Record highest temperature of Alarm 2	ALId AL2d AL3d Set up Alarm 1 delay
PV6R Adjust input gain	AL2LP Record lowest temperature of Alarm 2	oELM Set up reverse alarm output
SVSL Set up rising slope (when CRTS = SLOP)	AL3HP Record highest temperature of Alarm 3	RMEP Set up Remote type
AIMR Adjust upper limit compensation for analog Output 1*	AL3LP Record lowest temperature of Alarm 3	EXEC Select auxiliary function

Parameters Operation

Regulation Mode	Operation Mode	Initial Setting Mode
RLML Adjust lower limit compensation for analog Output 1*	oUL1 Display and adjust Output 1 volume	CoSH Enable/disable communication write-in
RLMR Adjust upper limit compensation for analog Output 2*	oUL2 Display and adjust Output 2 volume	C-SL Select ASCII or RTU format
RLML Adjust lower limit compensation for analog Output 2*	o1MR Set up upper limit percentage for Output 1	C-No Set up communication address
RLMR Adjust upper limit compensation for Retransmission*	o1ML Set up lower limit percentage for Output 1	bPS Set up baudrate
RLML Adjust lower limit compensation for Retransmission*	o2MR Set up upper limit percentage for Output 2	LEN Set up data length
RM-B Adjust Remote gain	o2ML Set up lower limit percentage for Output 2	Stop Set up stop bit
RM-F Adjust Remote compensation	CL1 Display current measured at CT1	PRLY Set up parity bit
EVt1 Set up Event 1 function	CL2 Display current measured at CT2	
EVt2 Set up Event 2 function		
EVt3 Set up Event 3 function Press		
Note: Press ◀ to return to auto-tuning * 1 scale = 2μA; 1 scale = 1mV 【TBC】	Note: Press ◀ to return to set up target temperature	Note: Press ◀ to return to set up input type *1 scale = 2μA; 1 scale = 1mV

PID mode: Any of the 6 PID groups can be selected. When n = 6, the program will automatically select the PID group that is the closest to the target temperature.

Regulation Mode	Operation Mode	Initial Setting Mode
Pcd Select the nth PID (n = 0~5) Press ◀▶ 0~5 th PID	SV0 Set up the 0 th PID temperature value Press ◀▽	SV5 Set up the 5 th PID temperature value Press ◀▽
	PD Set up the 0 th proportional band value	PS Set up the 5 th proportional band value
	TD Set up the 0 th Ti value	TS Set up the 5 th Ti value
	TD Set up the 0 th Td value	TS Set up the 5 th Td value
	CoFD Set up the 0 th PID integral deviation	CoFS Set up the 5 th PID integral deviation
	Note: Press ◀ to return to PID deviation	Note: Press ◀ to return to PID deviation

Patterns and steps: Edit **PROB** in **CLRL** parameter. Take editing pattern 0 for example:

Regulation Mode	Operation Mode	Initial Setting Mode
PLRN Select the pattern number to be edited Select number Press ◀▽ to select Off	SP00 Edit temperature for Step 0 Press ◀▽	PSY0 Select actual number of steps when the program is executing Press ◀▽
Exit pattern and step editing and switch to S-HC to continue the setup process	EM00 Edit time for Step 0 (time unit: hr, min) Set up Step 0~15 in order	CYCO Set up additional cycles (0~99) for the pattern execution
	SP15 Edit temperature for Step 15 EM15 Edit time for Step 15	LN00 Set up link pattern. Off refers to the program end.
	Note: Press ◀ to set up actual step numbers	Note: Press ◀ to return to select the pattern number to be edited

Products

DTB Advanced Type

Compared to the DTA Series, the DTB Series is designed with a linear voltage output and adopts dual-loop output control for simultaneous heating and cooling and to rapidly reach a target temperature.

The DTB Series features a built-in RS-485 communication interface (Modbus ASCII/RTU 2,400~38,400 bps). The programmable PID control function allows users to set up to 64 groups of different temperature and control time.

Optional functions:

- Current transformer (CT) - output by alarm
- EVENT function - switching between 2 SVs by using PLC or switches



Electrical Specifications

Power supply	100 ~ 240 V _{AC} , 50/60 Hz; 24 V _{DC} ±10 %
Voltage range	85 ~ 110 % rated voltage
Power consumption	< 5 VA
Display	2-line 7-segment LED display, 4 digits available, PV: red, SV: green
Input temperature sensors	Thermocouple: K, J, T, E, N, R, S, B, L, U, TXK
	Platinum RTD: Pt100, JPt100
	Analog input: 0 ~ 5 V, 0 ~ 10 V, 0 ~ 20 mA, 4 ~ 20 mA, 0 ~ 50 mV
Display scale	1 digit after decimal point, or no decimal point
Control methods	PID, programmable PID, On/Off, Manual
Output types	Relay: SPDT (DTB4848/DTB4824: SPST), Max. load: 250 V _{AC} , Resistive load: 5 A
	Voltage pulse: 14 V _{DC} , Max. output current: 40 mA
	Current: DC 4 ~ 20 mA (Load resistance < 600 Ω)
	Analog voltage: 0 ~ 10 V
Sampling rate	Analog input: 0.15 second, Thermocouple or platinum RTD: 0.4 second
Communication	RS-485 digital communication, 2,400 ~ 38,400bps
Communication protocol	Modbus protocol, ASCII/RTU format
Vibration resistance	10 ~ 55 Hz, 10 m/s ² for 10 mins in X, Y, Z direction
Shock resistance	Max. 300 m/s ² , 3 times in each of 3 axes, 6 directions
Ambient temperature	0°C ~ +50°C
Storage temperature	-20°C ~ +65°C
Altitude	< 2,000 m
Ambient humidity	35 ~ 85 % RH (non-condensing)
IP rating (panel)	IP65

Products

DTK

New generation of intelligent temperature controller

The DTK series is a temperature controller with high performance. It is user-friendly to save development costs and time for users and features advanced temperature control functions. With the compact dimensions (60 mm in length) and a high-resolution LCD display, the DTK series is a good choice for all kinds of environments or occasions.



Features

- ▶ High-resolution LCD display
- ▶ Length shortened to 60 mm
- ▶ High-speed sampling time 100 ms
- ▶ CE & UL certified
- ▶ RS-485 Communication

LCD Panel & Keypad



- A PV: Present Value
- B SV: Set Value
- C °C, °F: Celsius, Fahrenheit temperature indicator
- D 1, 2: ALM1, ALM2 alarm output indicator
- E A/M: Auto-tuning and manual modes indicator
- F OUT1, OUT2: Output indicators
- G Select/Set key
- H Value adjustment key

Electrical Specifications

Power supply	100~240 V _{AC} , 50/60Hz
Display	LCD display. PV: red, SV: green
Input temperature sensors	Thermocouple: K, J, T, E, N, R, S, B, L, U, TXK
	Platinum RTD: Pt100, JPt100
	RTD: Cu50, Ni120
Control methods	On/Off, PID, Manual
Display scale	1 digit after decimal point, or no decimal point
Sampling rate	Thermocouple or platinum RTD: 0.1 second
Ambient temperature	0 ~ +50 °C
Ambient humidity	35 ~ 80 % RH (non-condensing)

Alarm Outputs

The DTK Series offers 2 alarm outputs, and each alarm output has 9 alarm modes to choose from in the initial setting mode. When the target temperature exceeds or falls below the set point, the alarm output is enabled.

SV	Alarm Mode	Alarm Output Operation
0	Alarm function disabled	
1	Deviation upper- and lower-limit : This alarm output operates when PV value is higher than the set value SV + (AL - H) or lower than the set value SV - (AL - L).	
2	Deviation upper-limit : This alarm output operates when PV value is higher than the set value SV + (AL - H).	
3	Deviation lower-limit : This alarm output operates when PV value is lower than the set value SV - (AL - L).	
4	Absolute value upper- and lower-limit : This alarm output operates when PV value is higher than the set value AL - H or lower than the set value AL - L.	
5	Absolute value upper-limit : This alarm output operates when PV value is higher than the set value AL - H.	
6	Absolute value lower-limit : This alarm output operates when PV value is lower than the set value AL - L.	
7	Hysteresis upper-limit alarm output : This alarm output operates if PV value is higher than the set value SV+ (AL - H). This alarm output is Off when PV value is lower than the set value SV+(AL - L).	
8	Hysteresis lower-limit alarm output : This alarm output operates if PV value is lower than the set value SV - (AL - H). This alarm output is Off when PV value is higher than the set value SV - (AL - L).	
9	Disconnection alarm : This alarm output operates if the sensor connection is incorrect or has been disconnected.	

Digital Temperature Controller

DTI Series

- **Appearance:** 60 mm depth saves installation space
- **Accuracy:** LCD display with $\pm 0.5\%$ accuracy of the measurement range
- **Operation:** Centralized parameters for easy setting
- **Application:** High environmental tolerance, sampling period 200 ms



Description



Item	Description
A	PV: Present Value
B	SV: Set Value
C	°C / °F: Celsius / Fahrenheit Temperature Indicator
D	ALM1: Alarm Output Indicator
E	AT / MAN: Auto-tuning / Manual mode Indicator
F	OUT1: Output Indicator
G	Select / Set Key
H	Value Adjustment Key

Electrical Specifications

Power supply	AC 100 ~ 240 V, 50/60 Hz, V+/-15%
Panel Size	48 x 48 mm, 96 x 96 mm
Accuracy	$\pm 0.5\%$ of the measurement range after 20 mins warm up under 25 °C ambient temperature
Display	LCD display, PV: red, SV: green
Input temperature sensors	Thermocouple: K, J, T, E, N, R, S, B, U, L, TXK
	Platinum RTD: Pt100, JPt100
	RTD: Cu50, Ni120
Control Methods	ON/OFF, PID, Manual
Display Scale	1 digit after decimal point, or no decimal point
Sampling Period	Thermocouple or platinum RTD: 0.2 seconds
Ambient Temperature and Humidity	0 ~ 50 °C / 35 ~ 80% RH (non-condensing)

Temperature Sensors & Sensing Range

Sensor type	Display	Range	Range	Display	Range
Pt100		-200 ~ 850 °C	E		0 ~ 600 °C
JPt100		-100 ~ 400 °C	T		-200 ~ 400 °C
Cu50		-50 ~ 150 °C	J		-100 ~ 1200 °C
Ni120		-80 ~ 300 °C	K		-200 ~ 1300 °C
B		100 ~ 1800 °C	L		-200 ~ 850 °C
S		0 ~ 1,700 °C	U		-200 ~ 500 °C
R		0 ~ 1,700 °C	Txk		-150 ~ 800 °C
N		-200 ~ 1,300 °C			

Alarm Outputs

The DTI Series offers 1 alarm output with 9 alarm modes to choose from in the initial setting mode. When the target temperature exceeds or falls below the set value, the alarm output will be enabled.

SV	Alarm Mode	Alarm Output Operation
0	No alarm	
1	Alarm output will be enabled when the temperature reaches the upper or lower limit: The alarm will be enable when the PV exceeds SV + AL-H or falls below SV - AL-L.	
2	Alarm output will be enabled when the temperature reaches the upper limit: The alarm will be enabled when the PV exceeds SV + AL-H.	
3	Alarm output will be enabled when the temperature reaches the upper limit: The alarm will be enabled when the PV exceeds SV + AL-L.	
4	Alarm output will be enabled when the temperature reaches the absolute value of the upper or lower limit: The alarm will be enabled when the PV exceeds AL-H or falls below AL-L.	
5	Alarm output will be enabled when the temperature reaches the absolute value of the upper limit: The alarm will be enabled when the PV exceeds AL-H.	
6	Alarm output will be enabled when the temperature reaches the absolute value of the lower limit: The alarm will be enabled when the PV falls below AL-L.	
7	Upper limit hysteresis alarm: The alarm will be enabled when the PV exceeds SV + AL-H. The alarm will be disabled when the PV falls below SV + AL-L.	
8	Lower limit hysteresis alarm: The alarm will be enabled when the PV falls below SV - AL-H. The alarm will be disabled when the PV exceeds SV - AL-L.	
9	Offline alarm: The alarm will be enabled when the input sensor is not correct or offline.	

Delta Multi-Loop Modular Temperature Controller DTM Series

With increasingly complex temperature control applications and customer requirements, Delta introduces the Multi-loop Modular Temperature Controller DTM Series, which is designed for easy application and installation. Data collection by host and complete isolation between channels helps to improve communication speed and stability. It also allows users to customize communication addresses. From hardware to software, the DTM's intuitive design enables beginners to get started quickly, while its advanced functions, such as user-defined communication addresses, allow users to plan data management flexibly.

The DTM Series consists of host, measurement module, I/O module and extension cassette. A fully extended DTM group consists of a host plus 7 measurement modules and 8 I/O modules, for up to 64 points temperature control. Several DTM groups can even be connected via RS-485 or Ethernet for temperature control up to 1,000 points or more.

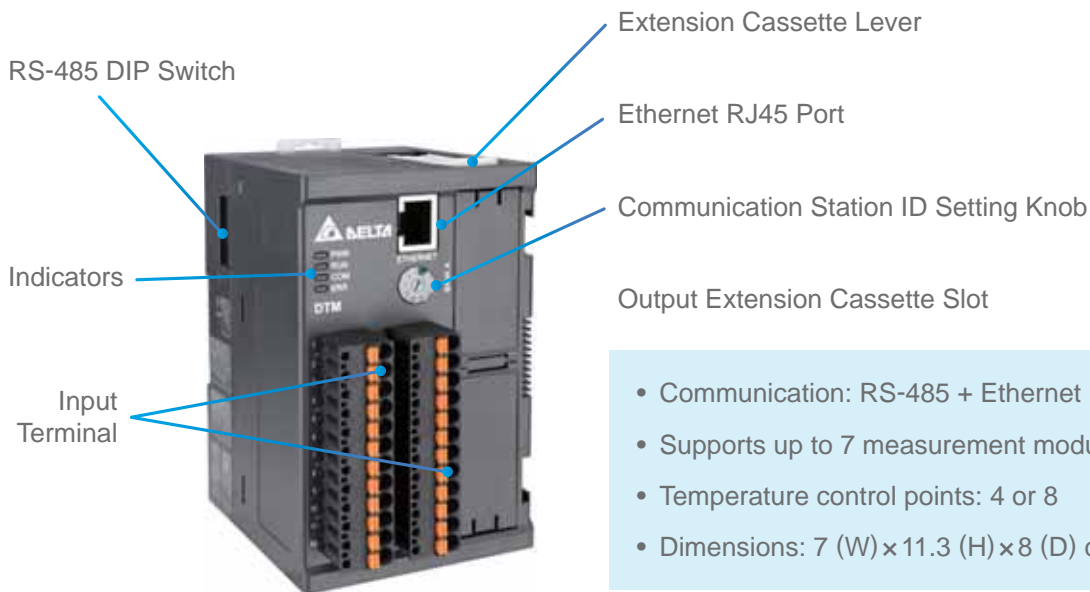
The Delta Multi-loop Modular Temperature Controller DTM Series is an ideal solution for advanced and complex temperature control applications.



DTM Module Introduction

Host

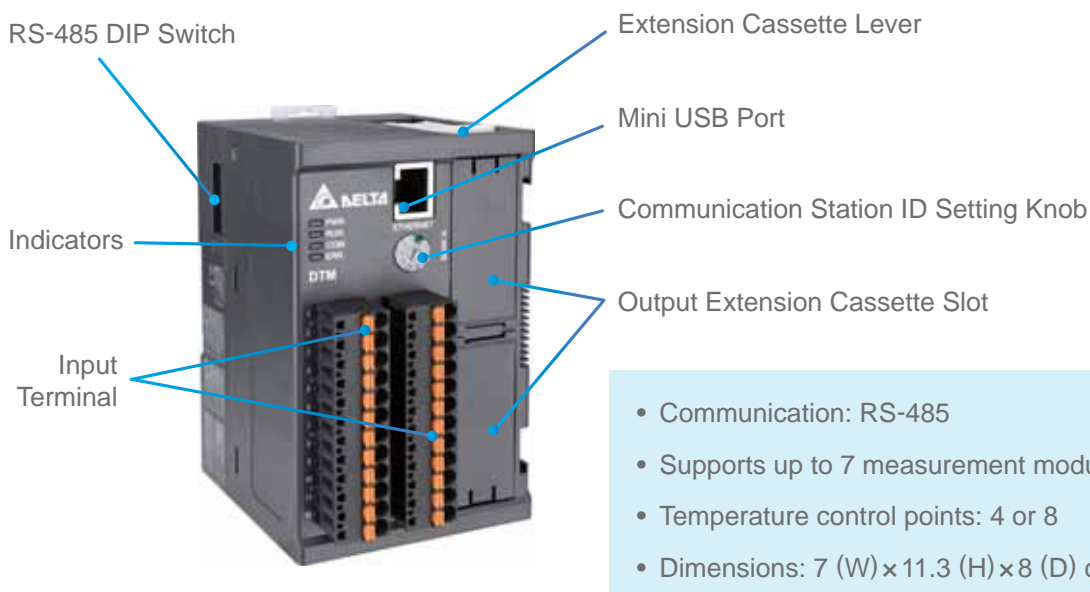
Ethernet Type DTME08/DTME04



- Communication: RS-485 + Ethernet
- Supports up to 7 measurement modules + 8 I/O modules
- Temperature control points: 4 or 8
- Dimensions: 7 (W) × 11.3 (H) × 8 (D) cm

* Optional output extension cassette for all measurement modules.
* Delta reserves the right to make further changes without prior notice.

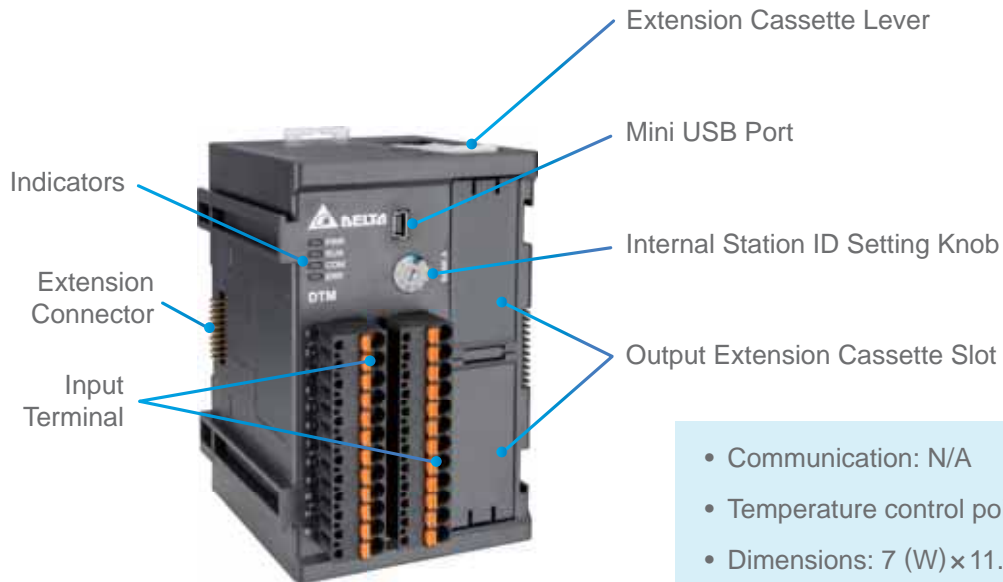
RS-485 Type DTMR08/DTMR04



- Communication: RS-485
- Supports up to 7 measurement modules + 8 I/O modules
- Temperature control points: 4 or 8
- Dimensions: 7 (W) × 11.3 (H) × 8 (D) cm

Measurement Module

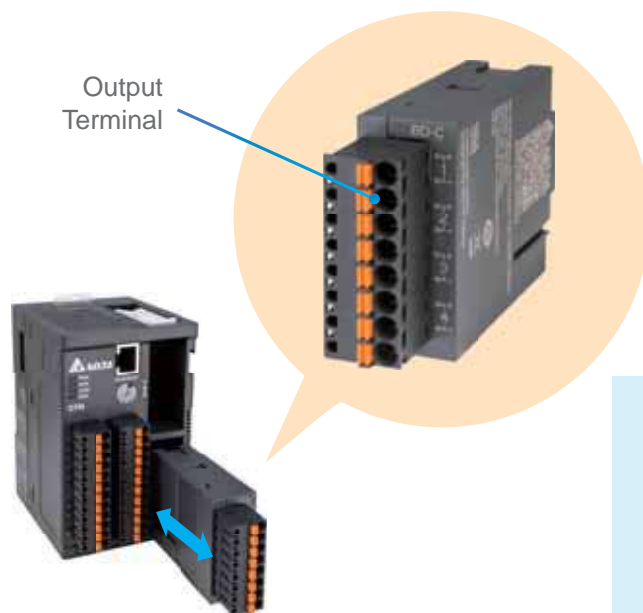
DTMN08/DTMN04



- Communication: N/A
- Temperature control points: 4 or 8
- Dimensions: 7 (W) × 11.3 (H) × 8 (D) cm

* Optional output extension cassette for all measurement modules.

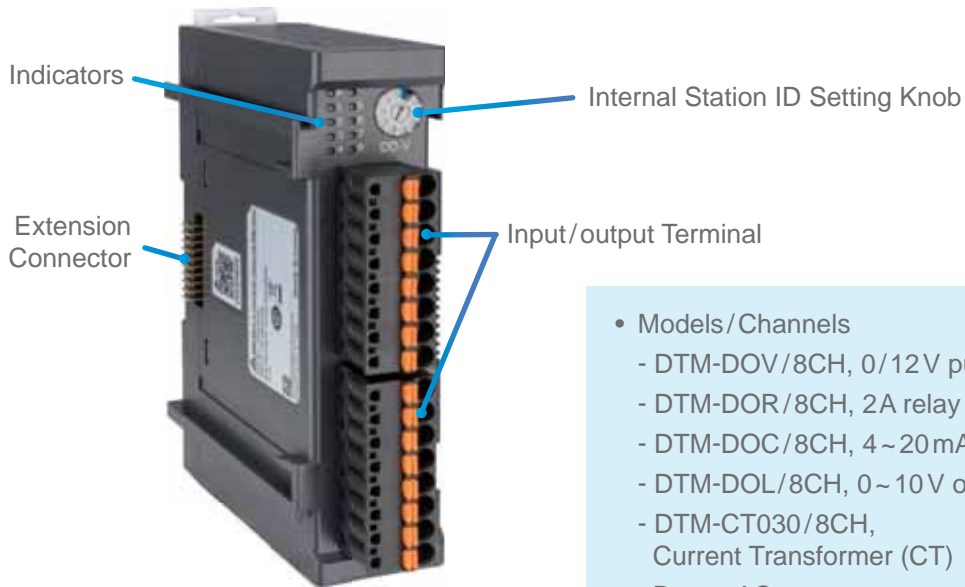
Output Cassette



DTM-BDL installed on DTMR08

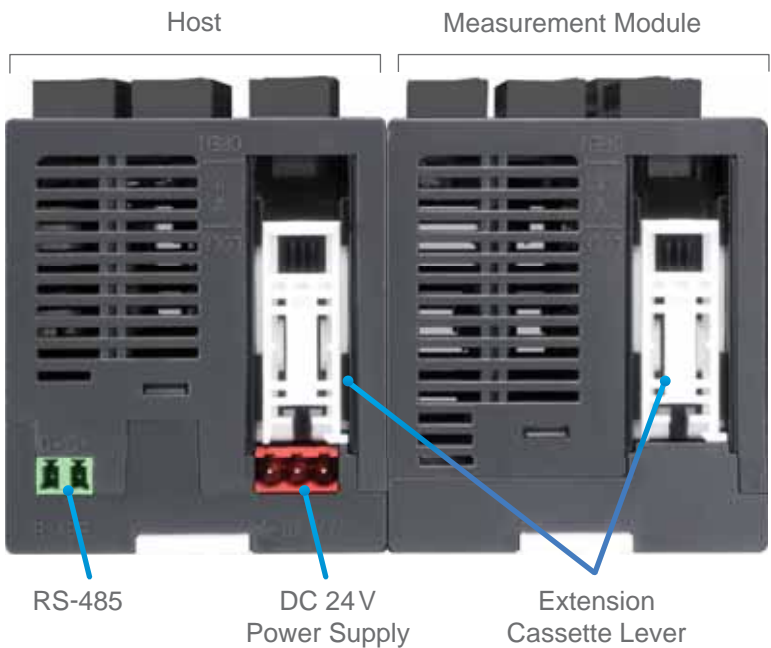
- Models/Channels
 - DTM-BDV/4CH, 0 / 12V pulse voltage
 - DTM-BDR/4CH, 2 A relay contact
 - DTM-BDC/4CH, 4 ~ 20 mA output
 - DTM-BDL/4CH, 0 ~ 10V output
- Dimensions: 2.5 (W) × 4.8 (H) × 7.7 (D) cm
- Please refer to the picture on the left for installation

I/O Module



- Models/Channels
 - DTM-DOV/8CH, 0/12V pulse voltage
 - DTM-DOR/8CH, 2A relay contact
 - DTM-DOC/8CH, 4~20 mA output
 - DTM-DOL/8CH, 0~10V output
 - DTM-CT030/8CH, Current Transformer (CT) (optional) Detect AC power current
- Dimensions: 3 (W) × 11.3 (H) × 8 (D) cm

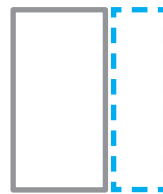
Module Bottom View



Module Installation

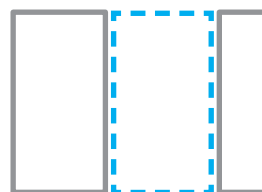
Features DIN rail for quick replacement and installation

Adding a Module



- Auto connection between internal power supply and signal
- Simplified wiring

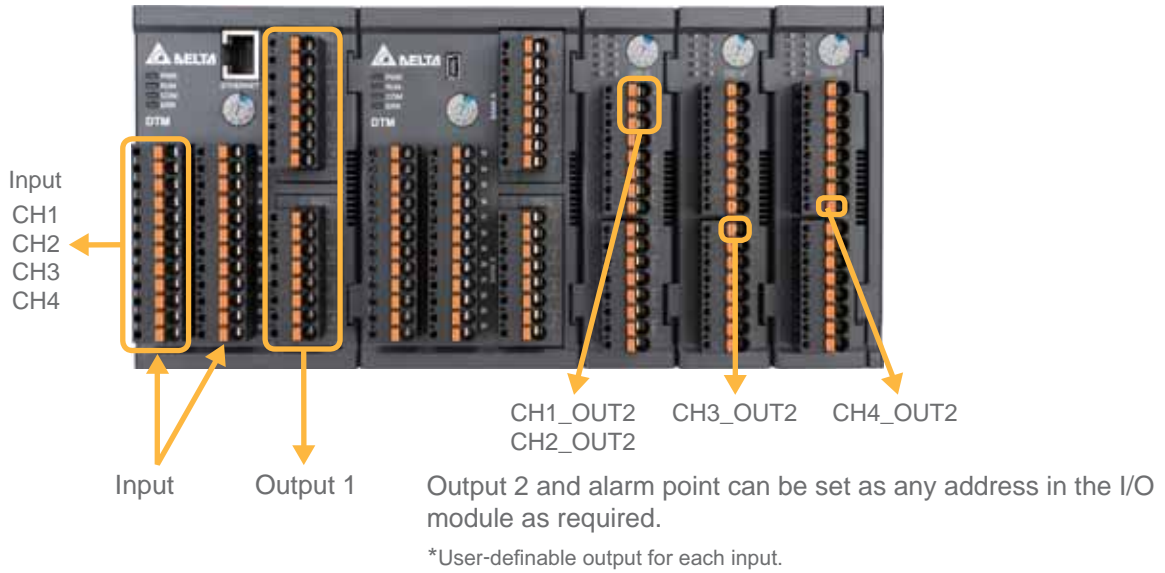
Easy Module Maintenance and Replacement



- Quick replacement and easy installation
- Pull out extension modules from the front without disconnecting other parts
- Allows easy maintenance when installed in limited spaces

I/O module address allocation

Allows user-defined output address (Output 1, 2 and alarms) for each sensor input, convenient for wiring.



User-Defined Communication Addresses

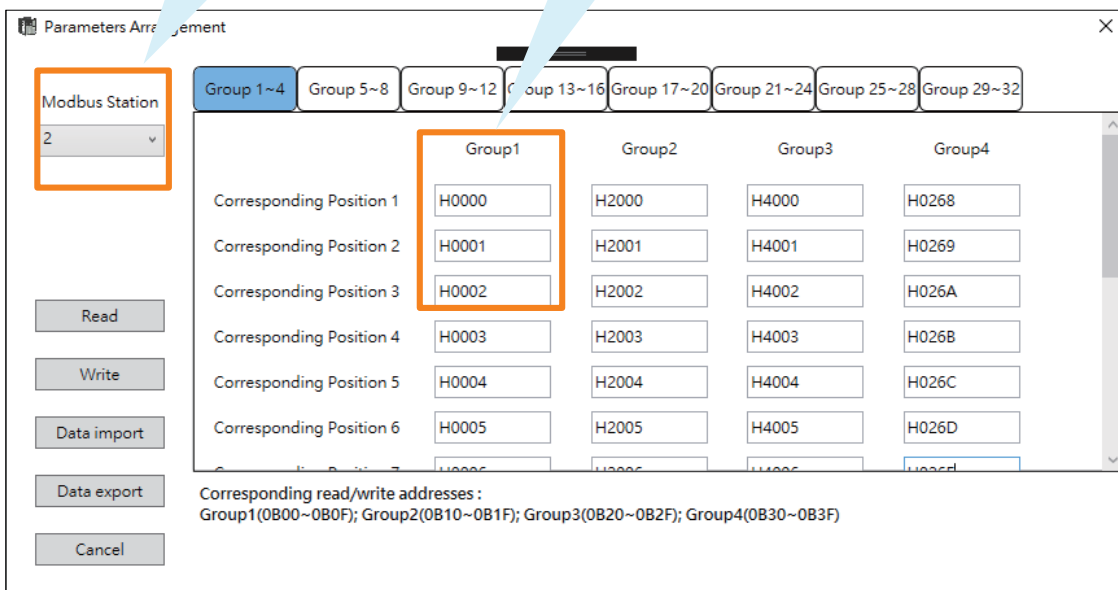
- Flexible operation interface for user-defined communication addresses
- Rapidly collects parameters among equipment for high communication efficiency

User-defined functions:

Only host station IDs collected by the host are available.

Parameter grouping function:

Creates parameter groups to rapidly collect and read all parameters



*This is a software interface illustration. Please download the software from Delta's website. Delta reserves the right for updates or modifications without prior notice.

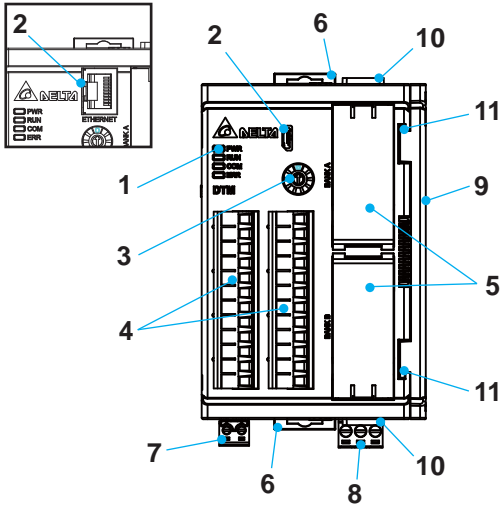
Specifications

Host and Measurement Modules

Input Power Supply	DC 24V
Operating Voltage Range	90% ~ 110% rated voltage
Power Consumption	<ul style="list-style-type: none"> • Host: 6W, 4 channels and 8 channels are available • Measurement module (max. 7 modules in parallel): 5W • The measurement module DTMN02-N series: 3W • I/O module (max. 8 modules in parallel): 3W
Installation Requirement	<p>Follow the sequence below for installation: (1) CPU, (2) Measurement modules (max. 7 pcs), (3) I/O modules (max. 8 pcs). When using DTMN02-x, be sure to install DTMN08 or DTMN04 before installing DTMN02-x. Only one DTMN02-x module can be added and mounted to a DTM group.</p>
Input Sensor Support	Thermocouple: K, J, T, E, N, R, S, B, L, U, TXK
	Platinum RTD: Pt100, JPt100, Ni120, Cu50
	Analog input: 0~10V, 0~5V, 0~50mV, 0~20mA, 4~20mA
Sampling Rate	0.1 sec./all 8 sets of input
Control Methods	PID, programmable PID, ON/OFF, manual
Output Types	SPST relay, max. rated load AC 250V, 2A resistive load
	Voltage pulse DC 12V ± 10%, max. rated output current 20mA
	Analog current: 4~20mA (load impedance ≤ 500Ω)
	Analog voltage: 0~10V (load impedance ≥ 1,000Ω)
Input Types	<p>Choose a current transformer (CT) below for your need. (1) 30A CT model: DT3-CT30A (2) 100A CT model: DT3-CT100A The resolution for both CT is 0.1 A.</p>
Outputs (Optional)	3 types of outputs: control output, alarm output, and proportional output (needs to be used with optional corresponding models)
Alarm (Optional)	13 alarm modes are available (need to be used with optional corresponding models)
Communication Functions	<p>RS-485 DIP Switch: supports baud rates of 4,800/9,600/19,200/38,400/57,600/115,200 bps Ethernet RJ45 port: supports 10/100Mbps, MDI/MDI-X automatic detection Mini-USB port: supports USB 2.0 full speed only for the CPU</p>
Communication Protocol	<p>RS-485 DIP Switch: supports the Modbus protocol with RTU/ASCII communication format Ethernet RJ45 Port: support Modbus TCP and Ethernet/IP, compliant with IEEE802.3, IEEE802.3u Mini USB Port: supports USB2.0 communication standard</p>
Internal Connection	Features internal connection terminals for 24V power supply and communication signal transmission
Vibration Resistance	10~55Hz, 10m/s ² for 10 mins in X, Y, Z directions
Shock Resistance	Max. 300m/s ² , 3 times in 3 axes and 6 directions
Operating Ambient Temperature	0°C ~ 50°C
Storage Temperature	-20°C ~ 65°C
Operating Altitude	< 2,000m
Operating Ambient Humidity	35% ~ 85% RH (non-condensing)

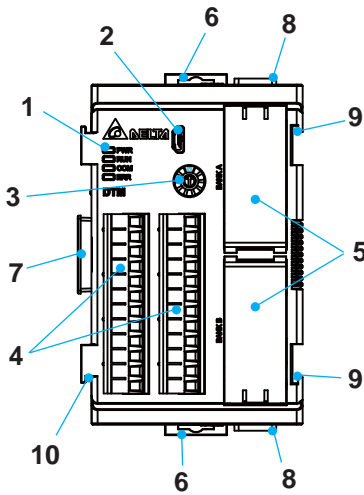
I/O Ports

Host



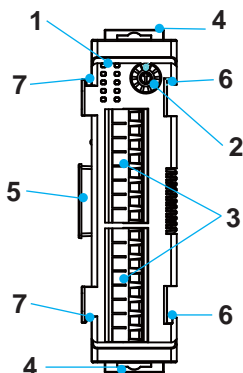
No.	Name	No.	Name
1	LED Indicators	7	RS-485 terminal
2	Mini USB/RJ45 port	8	Power input terminal
3	Communication station ID knob	9	Side cover
4	Sensor input terminal	10	Cassette bracket
5	Extension output cover	11	Extension guide slot
6	DIN rail bracket		

Measurement Module



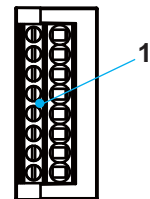
No.	Name	No.	Name
1	LED indicators	6	DIN rail bracket
2	Mini USB connector	7	Press cover
3	Internal station ID knob	8	Output cassette cover
4	Sensor input terminal	9	Extension guide slot
5	Extension output cover	10	Extension guideway

I/O Module/DTMN02-x Measurement Module



No.	Name
1	LED indicators
2	Internal station ID knob
3	Input/output terminal
4	DIN rail bracket
5	Connector cover
6	Extension guide slot
7	Extension guideway

Extension Cassette



No.	Name
1	Output terminal

DTC Modular Type

The DTC series features a modular and wire-saving structure to monitor multiple temperature points in parallel. Output flexibility allows users to configure output per applications. The built-in password protection prevents unauthorized operation or malicious damage.

The programmable PID control function allows users to set up to 64 groups of different temperature and control time. The DTC series also supports 3 levels of password protection, synchronous communication, and auto ID setup.



Electrical Specifications

Power supply	24 V _{DC} , isolated switching power supply
Voltage range	90 ~ 110% rated voltage
Power consumption	3 W + 3 W × number of DTC2000 controllers connected in parallel (Max. 7)
Input temperature sensors	Thermocouple: K, J, T, E, N, R, S, B, L, U, TXK
	Platinum RTD: Pt100, JPt100
	Analog input: 0 ~ 5 V, 0 ~ 10 V, 0 ~ 20 mA, 4 ~ 20 mA, 0 ~ 50 mV
Control methods	PID, programmable PID, On/Off, Manual
Output types	Relay: SPST, Max. load: 250 V _{AC} , Resistive load: 3 A
	Voltage pulse: 12 V _{DC} , Max. output current: 40 mA
	Current: DC 4 ~ 20 mA (Load resistance < 500 Ω)
	Analog voltage: 0 ~ 10 V (Load resistance > 1,000 Ω)
Sampling rate	Analog input: 0.15 second, Thermocouple or platinum RTD: 0.4 second
Communication	RS-485 digital communication, 2,400 ~ 38,400 bps
Communication protocol	MODBUS protocol, ASCII/RTU format
Vibration resistance	10 ~ 55 Hz, 10 m/s ² for 10 mins in X, Y, Z direction
Shock resistance	Max. 300 m/s ² , 3 times in each of 3 axes, 6 directions
Ambient temperature	0 °C ~ 50 °C
Storage temperature	-20 °C ~ +65 °C
Altitude	< 2,000 m
Ambient humidity	35 ~ 85% RH (non-condensing)

Products

DTE

Multi-Channel Modular Type

The DTE series is a multi-channel temperature controller with modular design. The DTE10T supports up to 8 thermocouple inputs, and the DTE10P supports up to 6 platinum RTD inputs. Installation on DIN Rail enables each channel to operate independently.

The built-in RS-485 2-wire communication allows transmission of up to 115,200 bps. The programmable PID control function allows users to set up to 64 groups of different temperature and control time. The DTE series also supports synchronous communication and auto ID setup, and provides diverse optional output modules (relay, voltage pulse, current and linear current) to fulfill various applications.



Electrical Specifications

Power supply	24 V _{DC} , isolated switching power supply
Voltage range	90 ~ 110% rated voltage
Power consumption	Max. 10 W + 3 W × number of DTC2000 controllers connected in parallel (Max. 7)
Input temperature sensors	Thermocouple: K, J, T, E, N, R, S, B, L, U, TXK
	Platinum RTD: Pt100, JPt100 RTD: Cu50; Ni120
Control methods	PID, programmable PID, On/Off, Manual
Output types	Relay: SPST, Max. load: 250 V _{AC} , Resistive load: 3 A
	Voltage pulse: 12 V _{DC} , Max. output current: 40 mA
	Current: DC 4 ~ 20 mA (Load resistance < 500 Ω)
	Analog voltage: 0 ~ 10 V (Load resistance > 1,000 Ω)
Sampling rate	Thermocouple or platinum RTD: 1.0 second/all inputs
Communication	RS-485 digital communication, 2,400 ~ 115,200 bps
Communication protocol	Modbus protocol, ASCII/RTU format
Vibration resistance	10 ~ 55 Hz, 10 m/s ² for 10 mins in X, Y, Z direction
Shock resistance	Max. 300 m/s ² , 3 times in each of 3 axes, 6 directions
Ambient temperature	0 °C ~ +50 °C
Storage temperature	-20 °C ~ +65 °C
Altitude	< 2,000 m
Ambient humidity	35 ~ 85 % RH (non-condensing)

DTV **Valve Type**

The DTV series is dedicated for electronic valve applications. It is user-friendly and easy to operate. With the built-in Modbus communication, data collection can be implemented quickly. The DTV series also features the following functions:

- Auto/manual mode switching by a single key
- "Left" key enables fast and convenient parameter setting
- Real-time output percentage display of the valve action level
- 2 alarm outputs with 17 alarm modes available
- Monitors and collects data of multiple temperature controllers via RS-485 communication interface



Electrical Specifications

Power supply	100 ~ 240 V _{AC} · 50/60Hz
Voltage range	85 ~ 110 % rated voltage
Power consumption	< 5 VA
Display	2-line 7-segment LED display, 4-bit or 2-bit valve action level display available PV: red, SV & action level of valve: green
Input temperature sensors	Thermocouple: K, J, T, E, N, R, S, B, L, U, TXK Platinum RTD: Pt100, JPt100 Analog input: 0 ~ 5V, 0 ~ 10V, 0 ~ 20mA, 4 ~ 20mA, 0 ~ 50mA
Display scale	1 digit after decimal point, or no decimal point
Control methods	PID, programmable PID, On/Off, Manual
Output types	Relay: SPST, Max. load: 250 V _{AC} ; resistive load: 5 A Current: DC 4 ~ 20 mA
Sampling rate	Analog input: 0.15 second; thermocouple or platinum RTD: 0.4 second
Communication	RS-485 digital communication, 2,400 ~ 38,400 bps
Communication protocol	Modbus protocol, ASCII/RTU format
Vibration resistance	10 ~ 55 Hz, 10 m/s ² for 10 mins in X, Y, Z directions
Shock resistance	Max. 300 m/s ² , 3 times in each of 3 axes, 6 directions
Ambient temperature	0°C ~ +50°C
Storage temperature	-20°C ~ +65°C
Altitude	< 2,000 m
Ambient humidity	35 ~ 85 % RH (non-condensing)
IP rating (panel)	IP65

Ordering Information

DT3

1 2 3 4 5 6 7 8

Series Name	Delta DT3 Series Temperature Controller	
1 2 Panel dimensions (W×H)	20: 4848, 1/16 DIN 48×48mm 30: 7272, 72×72mm	40: 4896, 1/8 DIN 48×96mm 60: 9696, 1/4 DIN 96×96mm
3 Output 1 options	R: Relay, 250V _{AC} , 5A V: Voltage pulse, 12V, -10%~+20%	C: DC current, 4~20mA L: Linear voltage, 0~10V _{DC}
4 Power supply	A: AC 100~240V D: DC 24V	
5 Output 2 options	R: Relay, 250V _{AC} , 5A V: Voltage pulse, 12V, -10%~+20%	C: DC current, 4~20mA L: Linear voltage, 0~10V _{DC}
6 Optional function 1 st	0: None, 1: Event input 3, 2: RS-485 communication	
7 Optional function 2 nd	0: None, 1: Event input 2, 2: CT input 2, 3: Retransmission output	
8 Optional function 3 rd	0: None, 1: Event input 1, 2: CT input 1, 3: Remote setup input	

DT3 Accessories

D T 3 - 1

Accessories	Delta DT3 Series Temperature Controller	
1 Option 1	20ESTD : DT320 Extension without RS-485 & EV3	R: Relay Output
	20ECOM : DT320 Extension includes RS-485	V: DC Voltage Pulse Output
	20EEV3 : DT320 Extension includes Event3	C: DC Current Output
	40ESTD : DT340/DT360 Extension without RS-485 & EV3	L: DC Linear Voltage Output
	40ECOM : DT340/360 Extension includes RS-485	Event: Event Input
	40EEV3 : DT340/360 Extension includes Event3	CTI: CT Input
	DT330 is a substitute for DTA7272 (with basic function). It has less extension function. <ul style="list-style-type: none"> DT330□A-0 has 1 output, 1 alarm output, and has no extension functions DT330□A has 1 output, 2 alarm outputs, but no extension functions (similar to DTA7272□0) DT330□A-0200 has 1 output, 2 alarm outputs, and has no extension functions. It supports RS-485 communication function (similar to DTA7272□1) 	RETRANS: Retransmission
	REMOTE: Remote set point	
	CT30A: 30A CT	
	CT100A: 100A CT	



DTB

1 2 3 4 5 6 7

Note 1: DTB4824 series: no optional function provided and no extra alarm output supported, but user can set 2nd output as alarm mode.
 Note 2: DTB4848 series: only one alarm output when optional function supported, but user can set 2nd output as 2nd alarm output.

Series Name	Delta DTB Series Temperature Controller	
1 2 3 4 Panel size (W×H)	4824: 1/32 DIN 48 × 24 mm 4848: 1/16 DIN 48 × 48 mm	4896: 1/8 DIN 48 × 96 mm 9696: 1/4 DIN 96 × 96 mm
5 Output 1 options	R: Relay, SPDT, 250 V _{AC} , 5 A (SPST: 1/16 DIN and 1/32 DIN size) V: Voltage pulse, 14 V, -20%~+10%(Max. 40 mA)	C: DC current, 4~20 mA L: Linear voltage, 0~10 V _{DC}
6 Output 2 options	R: Relay, SPDT, 250 V _{AC} , 5 A (SPST: 1/16 DIN and 1/32 DIN size)	V: Voltage pulse, 14 V, -20%~+10% (Max. 40 mA)
7 Event inputs / Current Transformer function (optional)	None: No Event input; no CT T: CT is provided; no Event input	E: Event input is provided; no CT
8 Power supply	None: AC 100~240 V	D: DC 24 V

DTK

1 2 3 4 5 6 7

Series Name	Delta DTK Series Temperature Controller	
1 2 3 4 Panel size (W×H)	4848: 48 × 48 mm 4896: 48 × 96 mm	7272: 72 × 72 mm 9696: 96 × 96 mm
5 Output options	R: Relay, 250 V _{AC} , 5 A V: Voltage pulse, 12 V, -10%~+20%	C: DC Current 4~20 mA
6 Optional function	0~8 V/A	1: RS-485 communication
7 Optional function	1: 1 Alarm output	2: 2 Alarm outputs

DTI



1 2 3 4 5 0

Series Name	Delta DTI Series Temperature Controller	
1 2 3 4 Panel size (W×H)	4848: 1/16 DIN 48 × 48 mm 9696: 1/4 DIN 96 × 96 mm	
5 Output	R: Relay, SPDT, 250 V _{AC} , 5 A (SPST: 1/16 DIN) V: Voltage pulse, 14 V, -20%~+10% (Max. 40 mA)	





Ordering Information


Host

Exterior Design	Communication	Model	Specification
	RS-485	DTMR04	4-channel
		DTMR08	8-channel
	RS-485 + Ethernet	DTME04	4-channel
		DTME08	8-channel


Measurement Modules

Exterior Design	Name	Model	Specification
	Measurement Module	DTMN04	4-channel
		DTMN08	8-channel
		DTMN02-V	2 IN-4 OUT, 0/12V pulse voltage
		DTMN02-R	2 IN-4 OUT, 2A relay contact
		DTMN02-C	2 IN-4 OUT, 4~20 mA output
		DTMN02-L	2 IN-4 OUT, 0~10V output

Extension Cassettes

Exterior Design	Name	Model	Specification
	Extension Cassette	DTM-BDV	4-channel, 0/12V pulse voltage
		DTM-BDR	4-channel, 2A relay contact
		DTM-BDC	4-channel, 4~20 mA output
		DTM-BDL	4-channel, 0~10V output

I/O Modules

Exterior Design	Name	Model	Specification
	I/O Module	DTM-DOV	8-channel, 0/12V pulse voltage
		DTM-DOR	8-channel, 2A relay contact
		DTM-DOC	8-channel, 4~20 mA output
		DTM-DOL	8-channel, 0~10V output
		DTM-CT030	8-channel, CT input (CT not included)

Current Transformers (CT)

Name	Model	Specification
CT	DT3-CT100A	100 A CT
	DT3-CT30A	30 A CT

Cable

Name	Model	Specification
Mini USB cable	UC-PRG015-01A	1.5m

DTC

1 2 3 4 5

Series Name	Delta DTC Series Temperature Controller	
1 Controller type	1: Main unit 2: Extension unit	
2 Number of auxiliary outputs	0: Standard 2 outputs, no auxiliary output	
3 4 Optional function	00: Standard function 01: With CT input	
5 Output	R: Relay, SPST, 250 V _{AC} , 3 A V: Voltage pulse output, 12V, -10% ~ +20% C: DC Current, 4 ~ 20 mA L: Linear voltage, 0 ~ 10 V	

DTE

1 2 3

Series Name	Delta DTE Series Temperature Controller	
1 Controller type	1: Main unit 2: Accessory	
2 3 Optional function	0T: 4-channel TC (main unit, accessory) 0P: 3-channel PT (main unit, accessory) 0V: 4 channels of voltage pulse output 0C: 4 channels of linear current output 0R: 4 channels of relay output	0L: 4 channels of linear voltage output 0D: 8 Digital inputs, no output. CT: 4 channels of current transformers DS: Display & setup module

DTV

1 2 3 4 5

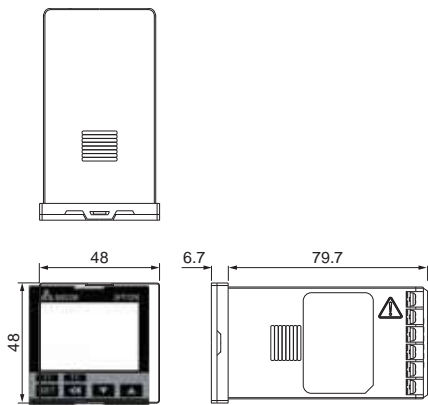
Series Name	Delta DTV Series Temperature Controller	
1 2 3 4 Panel dimensions (W x H)	4896: 1/8 DIN 48 × 96 mm 9696: 1/4 DIN 96 × 96 mm	
5 Output	R: Relay, SPDT, 250 V _{AC} , 5 A C: DC Current, 4 ~ 20 mA	



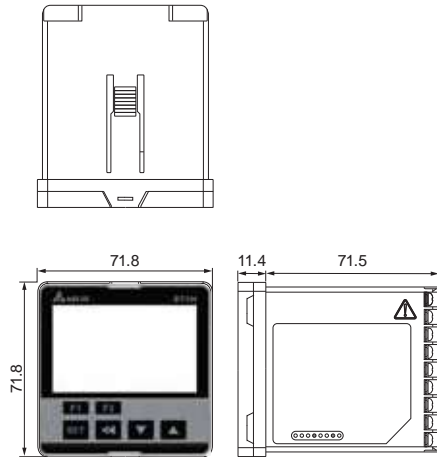
Dimensions

DT3

320

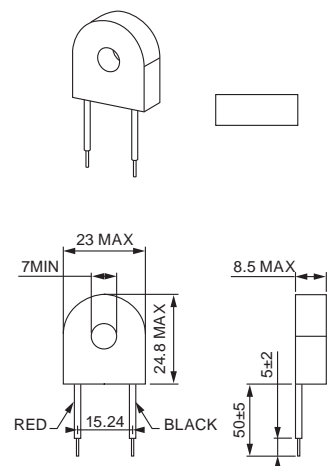


330

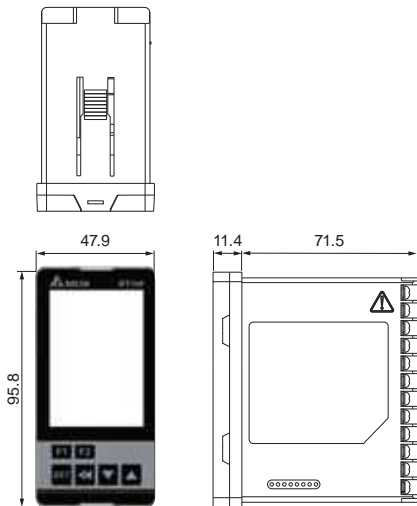


CT30A

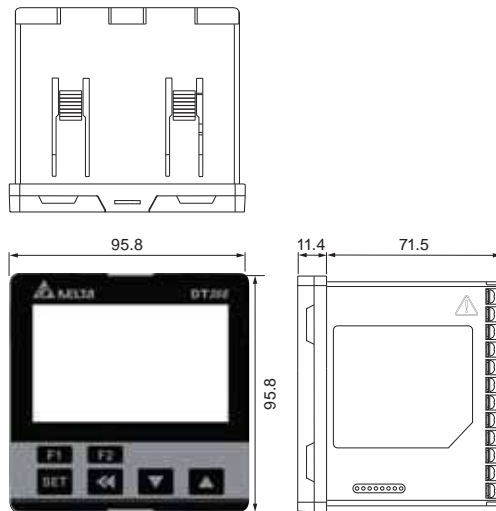
Unit:mm



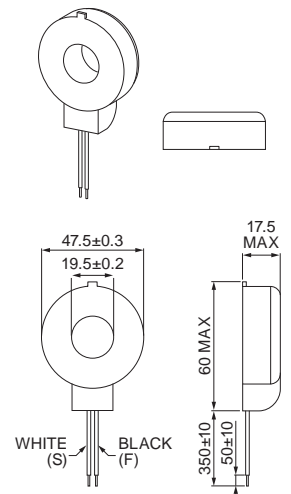
340



360

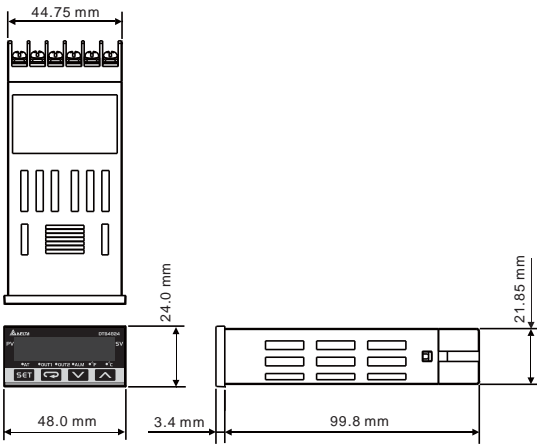


CT100A



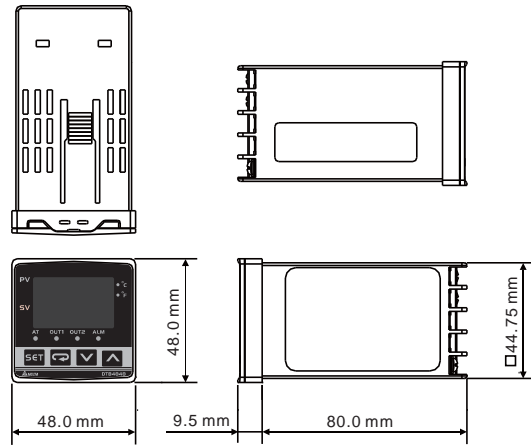


DTB 4824

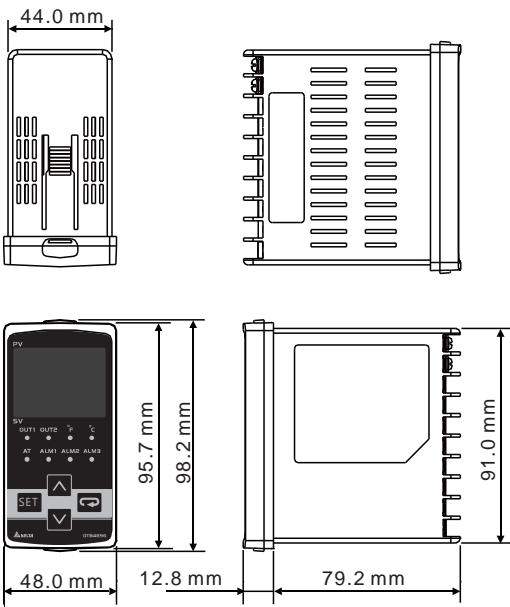


4848

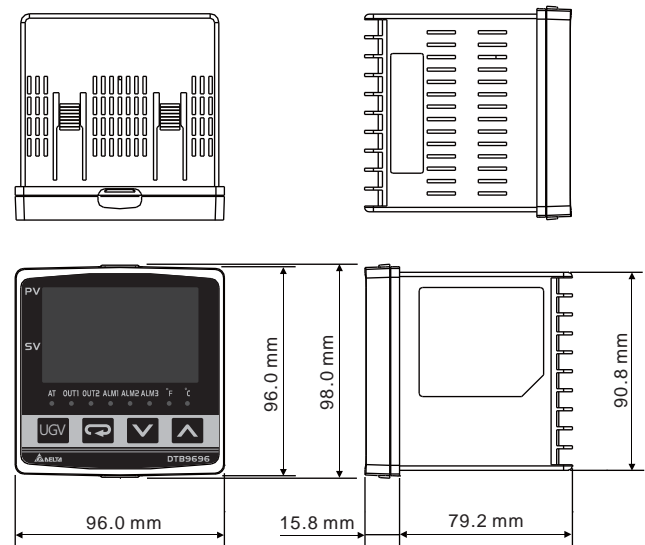
Unit: mm



4896



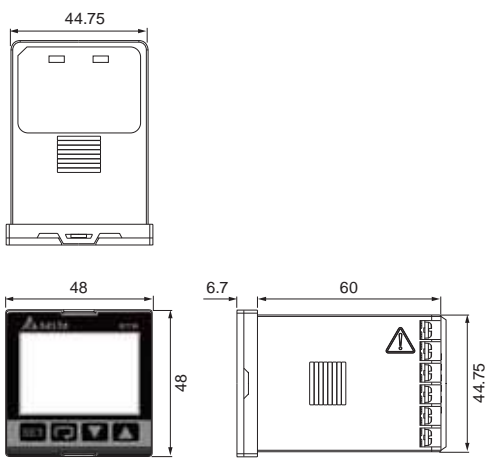
9696



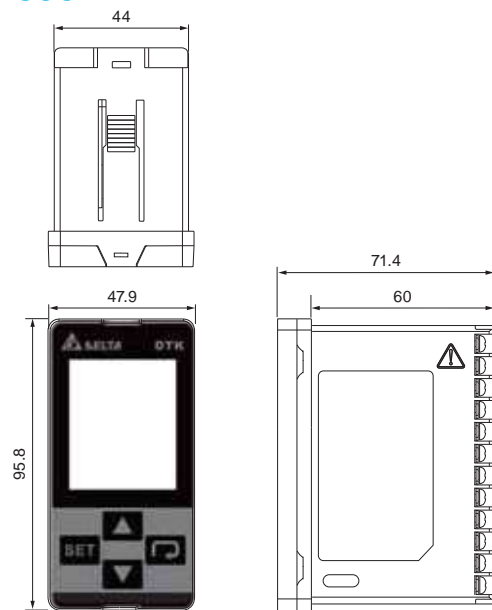


DTK

4848

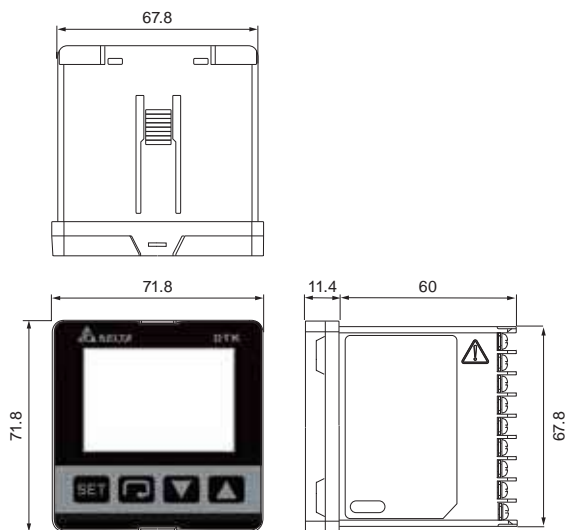


4896

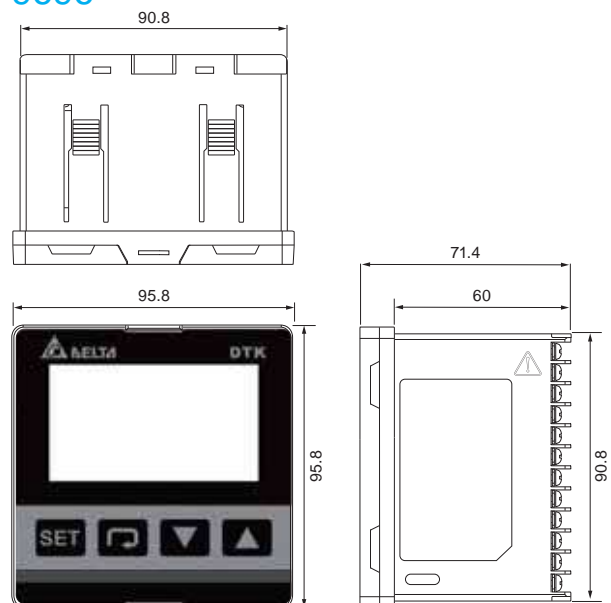


Unit:mm

7272

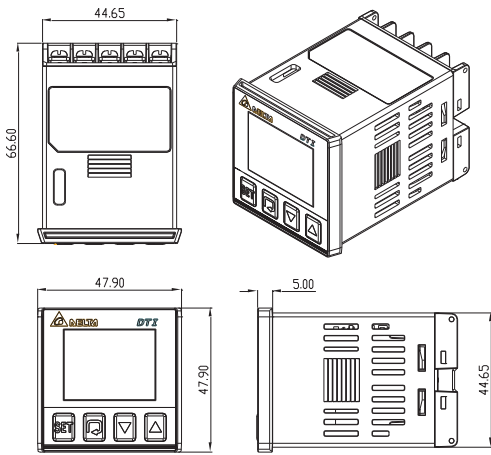


9696



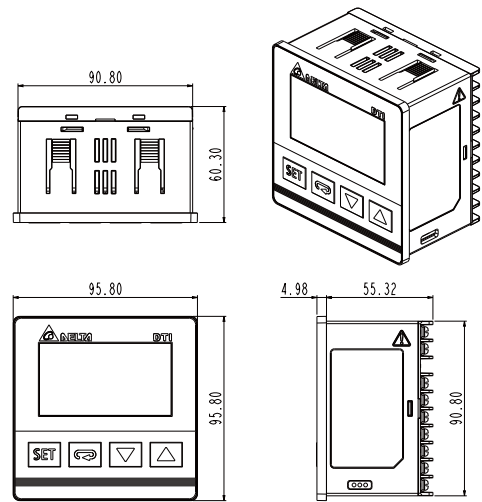


DTI 4848

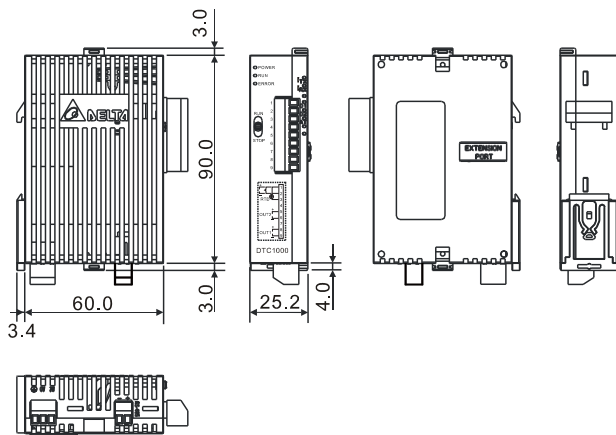


9696

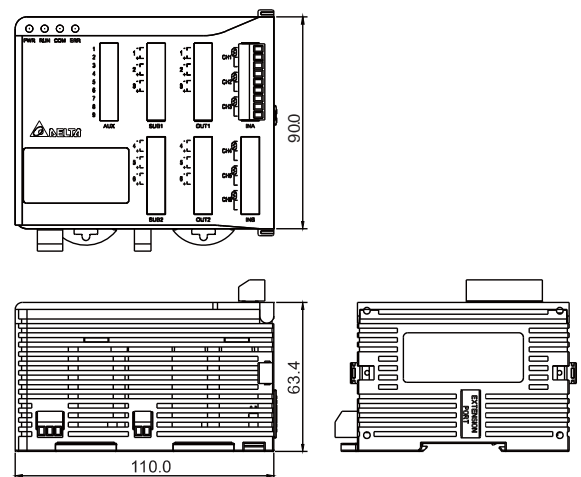
Unit: mm



DTC

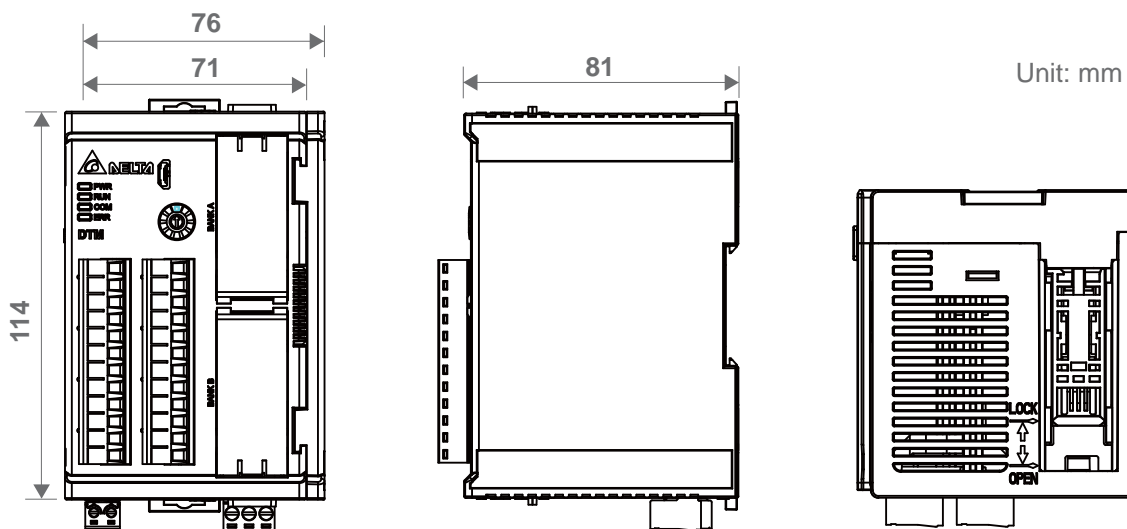


DTE

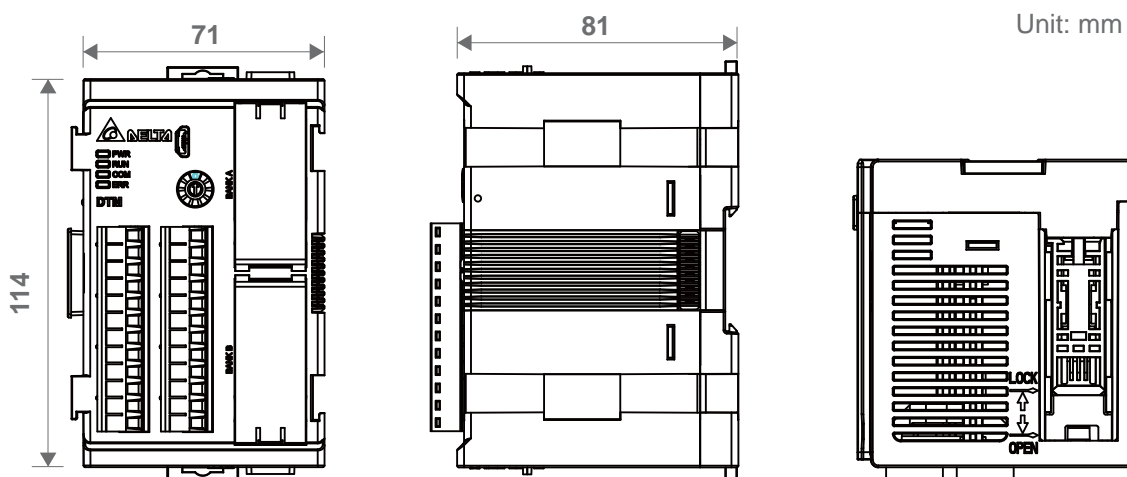


Dimensions DTM

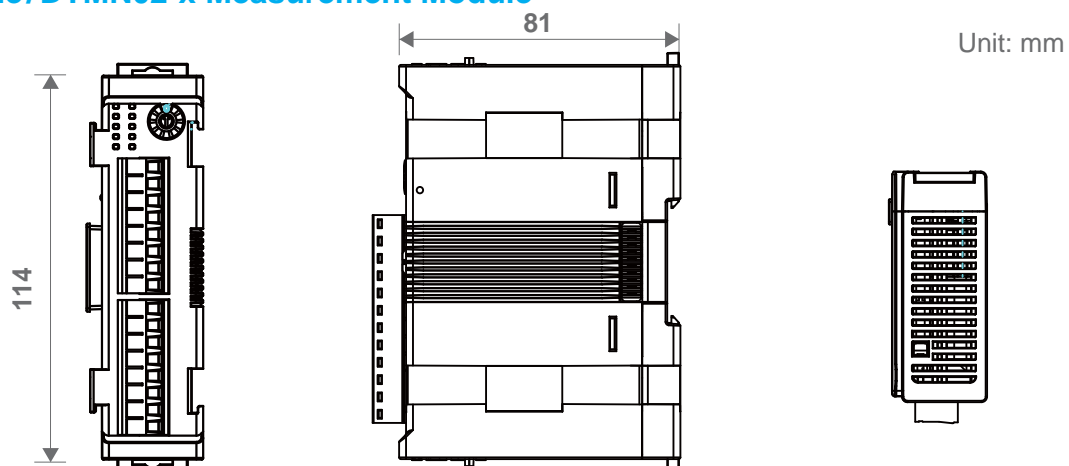
Host



Measurement Module



I/O Module/DTMN02-x Measurement Module





Smarter. Greener. Together.

North - Head Office

Delta Electronics India Pvt.Ltd.
Plot No 43, Sector – 35 (HSIIDC)
Gurgaon – 122001, Haryana
Tel: +91-124-4169040
Fax: +91-124-4036045

Regional Office

East

Kolkata

Delta Electronics India Pvt.Ltd.
4th Floor, Room#406, Matrix Tower,
Plot#24, Block DN, Sector 5,
Salt Lake City, Kolkata - 700091
Tel: 91 33 65217306/07
Fax: 91 33 40063108

West

Mumbai

Delta Electronics India Pvt.Ltd.
A 1619, Rupa Solitaire, IT Park Building,
Plot np. MBP2, Sector 1, MIDC, Mahape,
Navi Mumbai 400710, Maharashtra, India
Tel: +91 22-61845200
Fax: +91 22-61845333

Pune

Delta Electronics India Pvt.Ltd.
Amar Business Park, Office No. 805, 806,
Veerbhadr Nagar, Baner, Pune 411045,
Maharashtra, India

South

Bangalore

Delta Electronics India Pvt.Ltd.
Ozone Manay Tech Park, 'A' Block, 3rd
Floor, Survey No. 56/18 & 55/9, Hosur Road,
Hongasandra Village, Bangalore-560068 Tel:
+91 80 67164750, +91 80 67164777 Fax :
+91 80 67164784

Hyderabad

Delta Electronics India Pvt.Ltd.
Shree Prashanti Sai Towers, Plot No68,
Nagarjuna Hills, Road No-1, Banjara Hills,
Hyderabad-500082 Tel : +91 40 67274500
Fax : +91 40 67274545

Chennai

Delta Electronics India Pvt.Ltd.
No.46, Verappa Nagar
Alwarthirunagar,
Chennai - 600 087
Tele: 044 - 42647681/82/83

Coimbatore

Delta Electronics India Pvt.Ltd.
Door No 123, 1st Floor
Ramaswamy Gounder Street, Saibaba
Colony, Coimbatore- 641011
Tel: 0422-4202302

Gujarat

Ahmedabad

Delta Electronics India Pvt.Ltd.
412, Ashirwad Paras Complex, Corporate
Road Prahalad Nagar (Near Prahalad Nagar
Garden) Ahmedabad - 380015
Tel: 079-40047333