

Technical data sheet

Rotary encoder

Part no.: 50142043

EI 1058-T10S-1024H-020R

Contents

- Technical data
- Dimensioned drawings
- Electrical connection



Figure can vary



Technical data

Basic data

| | |
|--------|----------------------------|
| Series | EI 1xxx |
| Type | Incremental rotary encoder |

Measurement data

| | |
|----------------------|-------------|
| Max. operating speed | 6,000 r/min |
| Resolution | 1,024 p/r |

Electrical data

| | |
|--------------------|---|
| Protective circuit | Polarity reversal protection Short circuit protected |
|--------------------|---|

Performance data

| | |
|----------------------|----------------|
| Supply voltage U_B | 5 ... 28 V, DC |
| Open-circuit current | 0 ... 150 mA |

Time behavior

| | |
|---------------------|------------|
| Switching frequency | 300,000 Hz |
|---------------------|------------|

Interface

| | |
|------|-----|
| Type | HTL |
|------|-----|

Connection

Connection 1

| | |
|----------------------|------------------------------|
| Function | Signal OUT Voltage supply |
| Type of connection | Cable |
| Cable length | 2,000 mm |
| Connector | radial |
| Sheathing material | PVC |
| Cable color | Gray |
| Number of conductors | 8 -wire |
| Wire cross section | 0.14 mm ² |

Mechanical data

| | |
|------------------|-----------------|
| Housing material | Metal |
| Metal housing | Aluminum |
| Flange type | Stator coupling |

Shaft

| | |
|---------------------|--------------|
| Design | Hollow shaft |
| Dimension (Ø x L) | 10 mm |
| Start-up torque | 0.5 N·m |
| Shaft load - axial | 60 N |
| Shaft load - radial | 120 N |

Environmental data

| | |
|--------------------------------|---------------|
| Ambient temperature, operation | -40 ... 70 °C |
| Ambient temperature, storage | -40 ... 70 °C |

Certifications

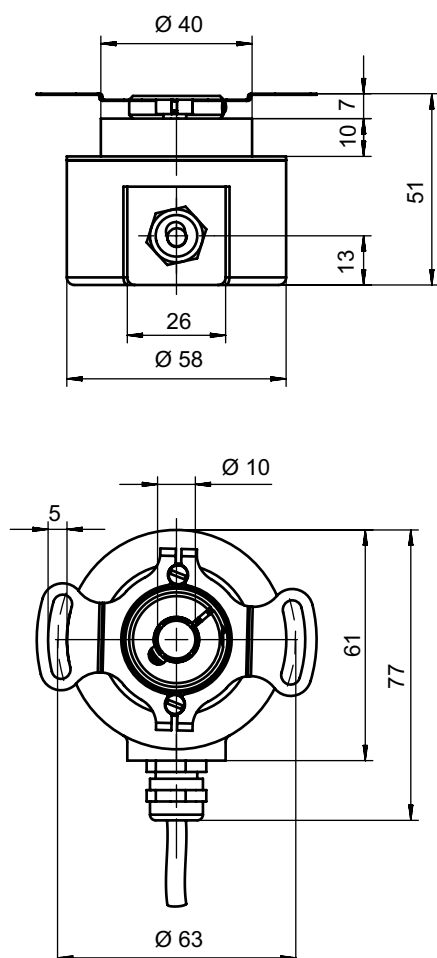
| | |
|--|---|
| Degree of protection | IP 65 |
| Standards applied | IEC 61000-6-2:2016, IEC 61000-6-4:2016 + A1 |
| Test procedure for vibration in accordance with standard | 10g IEC 68-2-6 (10...2000 Hz) |

Classification

| | |
|--------------|----------|
| ECLASS 5.1.4 | 27270501 |
| ECLASS 8.0 | 27270501 |
| ECLASS 9.0 | 27270501 |
| ECLASS 10.0 | 27270501 |
| ECLASS 11.0 | 27270501 |
| ECLASS 12.0 | 27270501 |
| ECLASS 13.0 | 27270501 |
| ETIM 5.0 | EC001486 |
| ETIM 6.0 | EC001486 |
| ETIM 7.0 | EC001486 |
| ETIM 8.0 | EC001486 |

Dimensioned drawings

All dimensions in millimeters



Electrical connection

Connection 1

| | |
|----------------------|----------------------|
| Function | Signal OUT |
| | Voltage supply |
| Type of connection | Cable |
| Cable length | 2,000 mm |
| Connector | radial |
| Sheathing material | PVC |
| Cable color | Gray |
| Number of conductors | 8 -wire |
| Wire cross section | 0.14 mm ² |

Electrical connection

| Conductor color | Conductor assignment |
|-----------------|----------------------|
| Brown | V+ |
| White | GND |
| Green | A |
| Yellow | A inverted |
| Pink | B |
| Black | B inverted |
| Blue | Z |
| Red | Z inverted |