

## Technical data sheet

### Rotary encoder

Part no.: 50144852

EI 1058-T10S-1024T-020R

#### Contents

- Technical data
- Dimensioned drawings
- Electrical connection



Figure can vary



## Technical data

### Basic data

Series	EI 1xxx
Type	Incremental rotary encoder

### Measurement data

Max. operating speed	6,000 r/min
Resolution	1,024 p/r

### Electrical data

Protective circuit	Polarity reversal protection Short circuit protected
--------------------	---

### Performance data

Supply voltage $U_B$	5 ... 28 V, DC
Open-circuit current	0 ... 150 mA

### Time behavior

Switching frequency	300,000 Hz
---------------------	------------

### Interface

Type	TTL
------	-----

### Connection

#### Connection 1

Function	Signal OUT Voltage supply
Type of connection	Cable
Cable length	2,000 mm
Connector	radial
Sheathing material	PVC
Cable color	Gray
Number of conductors	8 -wire
Wire cross section	0.14 mm <sup>2</sup>

### Mechanical data

Housing material	Metal
Metal housing	Aluminum
Flange type	Stator coupling

### Shaft

Design	Hollow shaft
Dimension (Ø x L)	10 mm
Start-up torque	0.5 N·m
Shaft load - axial	60 N
Shaft load - radial	120 N

### Environmental data

Ambient temperature, operation	-40 ... 70 °C
Ambient temperature, storage	-40 ... 70 °C

### Certifications

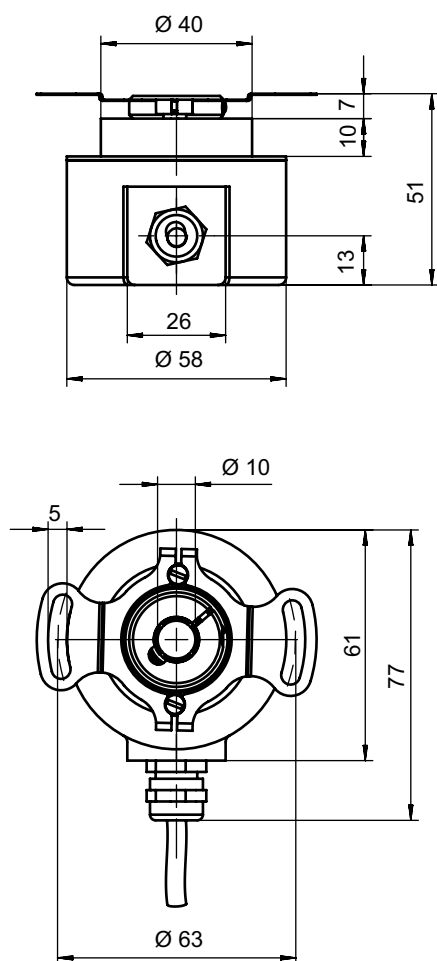
Degree of protection	IP 65
Standards applied	IEC 61000-6-2:2016, IEC 61000-6-4:2016 + A1
Test procedure for vibration in accordance with standard	10g IEC 68-2-6 (10...2000 Hz)

### Classification

ECLASS 5.1.4	27270501
ECLASS 8.0	27270501
ECLASS 9.0	27270501
ECLASS 10.0	27270501
ECLASS 11.0	27270501
ECLASS 12.0	27270501
ECLASS 13.0	27270501
ETIM 5.0	EC001486
ETIM 6.0	EC001486
ETIM 7.0	EC001486
ETIM 8.0	EC001486

## Dimensioned drawings

All dimensions in millimeters



## Electrical connection

### Connection 1

Function	Signal OUT
	Voltage supply
Type of connection	Cable
Cable length	2,000 mm
Connector	radial
Sheathing material	PVC
Cable color	Gray
Number of conductors	8 -wire
Wire cross section	0.14 mm <sup>2</sup>

## Electrical connection

Conductor color	Conductor assignment
Brown	V+
White	GND
Green	A
Yellow	A inverted
Pink	B
Black	B inverted
Blue	Z
Red	Z inverted