

Technical data sheet

Safety relay

Part no.: 50133021

MSI-SR-LC21DT30-03

Contents

- Technical data
- Dimensioned drawings
- Electrical connection
- Circuit diagrams
- Notes



Figure can vary



Technical data

Basic data

Series	MSI-SR-LC21DT
Application	Base device for E-Stop and safety door applications

Functions

Functions	Monitoring of E-Stop circuits Monitoring of optoelectronic protective devices Monitoring of position switches Monitoring of proximity switches
Restart	Automatic Manual

Characteristic parameters

SIL	3, IEC 61508
SILCL	3, IEC/EN 62061
Performance Level (PL)	e, EN ISO 13849-1
PFH _D	3E-08 per hour
Mission time T _M	20 years, EN ISO 13849-1
Category	4, EN ISO 13849

Electrical data

Supply circuit

Nominal voltage U _N	24 V DC
Min. rated control supply voltage U _S at DC	20.4 V
Max. rated control supply voltage at DC	26.4 V
Min. rated control supply voltage at DC	20.4 V
Rated power DC	2.6 W
Galvanic isolation between supply and control circuit	No

Output circuit

Number of outputs, safety-oriented, undelayed, contact-based	2 Piece(s)
Number of outputs, safety-oriented, delayed, contact-based	1 Piece(s)
Release current paths, time-delayed	NO contact, off-delay
Contact material	Ag alloy, gold-plated
Usage category AC-15 (NO contact)	Ue 230V, Ie 3A
Usage category DC-13 (NO contact)	Ue 24V, Ie 2A
Short circuit protection (NO contact)	gG class safety fuse 6A, melting integral
Nominal switching voltage, release current paths AC	230 V
Max. thermal continuous current I _{th} , release current paths	6 A
Max. total current I ² of all current paths	5 A ²
Mechanical life time	100,000,000 switching cycles

Control circuit

Evaluation of the inputs	Two-channel
Nominal output voltage DC	22 V
Input current at the control inputs (safety circuit/reset circuit)	25 mA
Max. peak current at the control inputs (safety circuit/reset circuit)	2,500 mA
Max. cable resistance, per channel	$\leq (5 + (1.176 \times U_B / U_N - 1) \times 100) \Omega$
Minimum switch-on time	200 ms
Response time (automatic start t _{A2})	700 ms
Response time (manual start t _{A1})	30 ms
Test pulse time permitted t _{TP}	1 ms
Release time t _R	25 ms
Release time t _R , time-delayed contacts (tolerance)	1.5 s ... 30 s ± 16 %
Synchronous time monitoring t _S	500 ms
Recovery time t _W	500 ms

Connection

Number of connections	1 Piece(s)
-----------------------	------------

Connection 1

Function	Signal IN Signal OUT Voltage supply
Type of connection	Terminal
Type of terminal	Spring-cage terminal
No. of pins	16 -pin

Cable properties

Connection cross sections	2 x 0.2 to 1.5 mm ² , wire 2 x 0.2 to 1.5 mm ² , wire 2 x 0.25 to 1.5 mm ² , wire with wire-end sleeve
---------------------------	---

Mechanical data

Dimension (W x H x L)	22.5 mm x 106.5 mm x 114 mm
Net weight	200 g
Housing color	Gray
Type of fastening	Snap-on mounting

Certifications

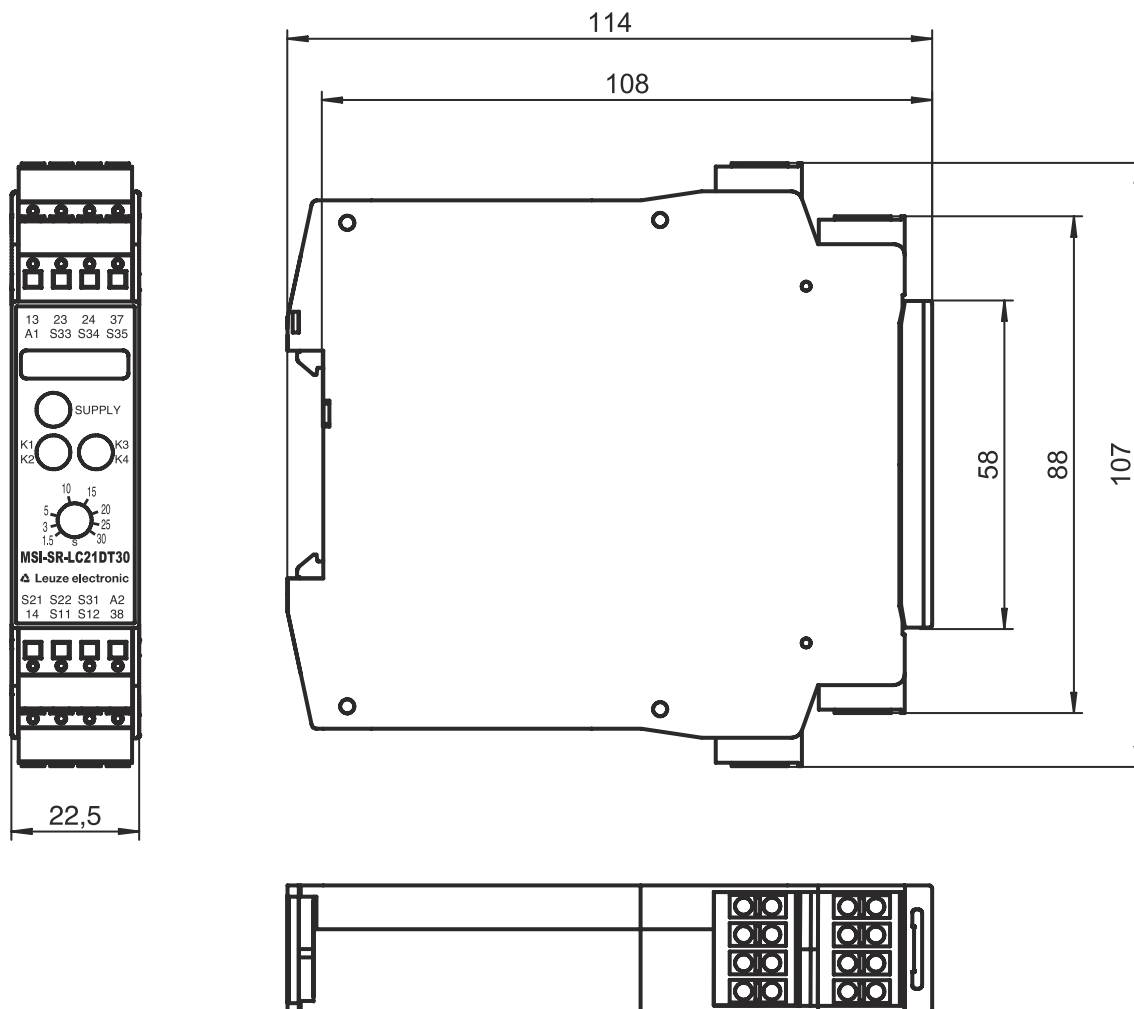
Certifications	c UL US TÜV Rheinland
----------------	--------------------------

Classification

Customs tariff number	85364190
ECLASS 5.1.4	27371800
ECLASS 8.0	27371819
ECLASS 9.0	27371819
ECLASS 10.0	27371819
ECLASS 11.0	27371819
ECLASS 12.0	27371819
ECLASS 13.0	27371819
ETIM 5.0	EC001449
ETIM 6.0	EC001449
ETIM 7.0	EC001449
ETIM 8.0	EC001449

Dimensioned drawings

All dimensions in millimeters



Electrical connection

Connection 1

Function	Signal IN Signal OUT Voltage supply
Type of connection	Terminal
Type of terminal	Spring-cage terminal
No. of pins	16 -pin

Terminal

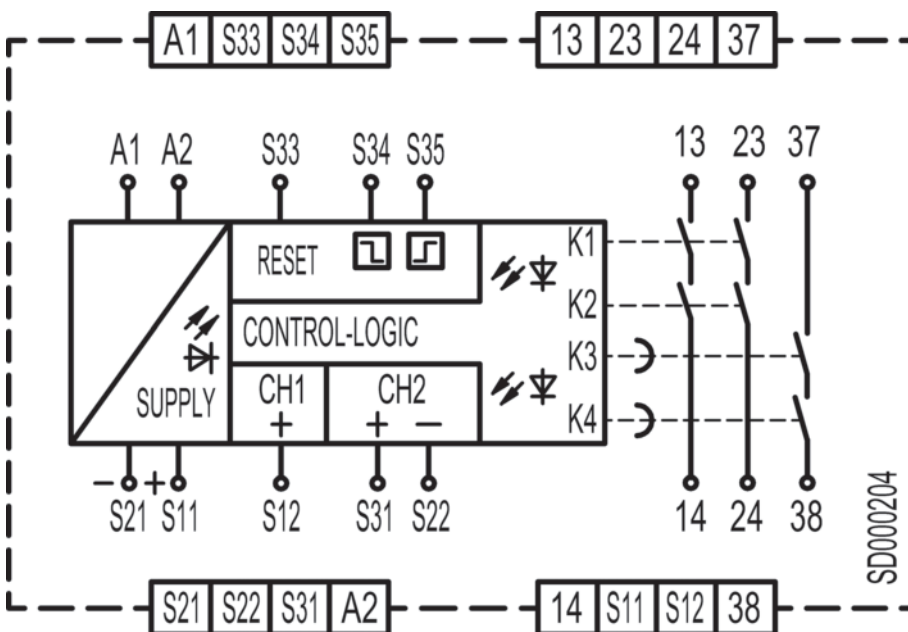
Assignment

13	Release current path 1 (NO contact)
14	Release current path 1 (NO contact)
23	Release current path 2 (NO contact)
24	Release current path 2 (NO contact)
37	Release current path 3 (NO contact)
38	Release current path 3 (NO contact)

Electrical connection

Terminal	Assignment
A1	+24 V
A2	GND
S11	Control circuit 1
S12	Control circuit 1
S21	Control circuit 2
S22	Control circuit 2
S31	Control circuit 2
S33	Control circuit of reset button
S34	Control circuit of reset button
S35	Control circuit of reset button

Circuit diagrams



Notes

! Observe intended use!

- The product may only be put into operation by competent persons.
- Only use the product in accordance with its intended use.