

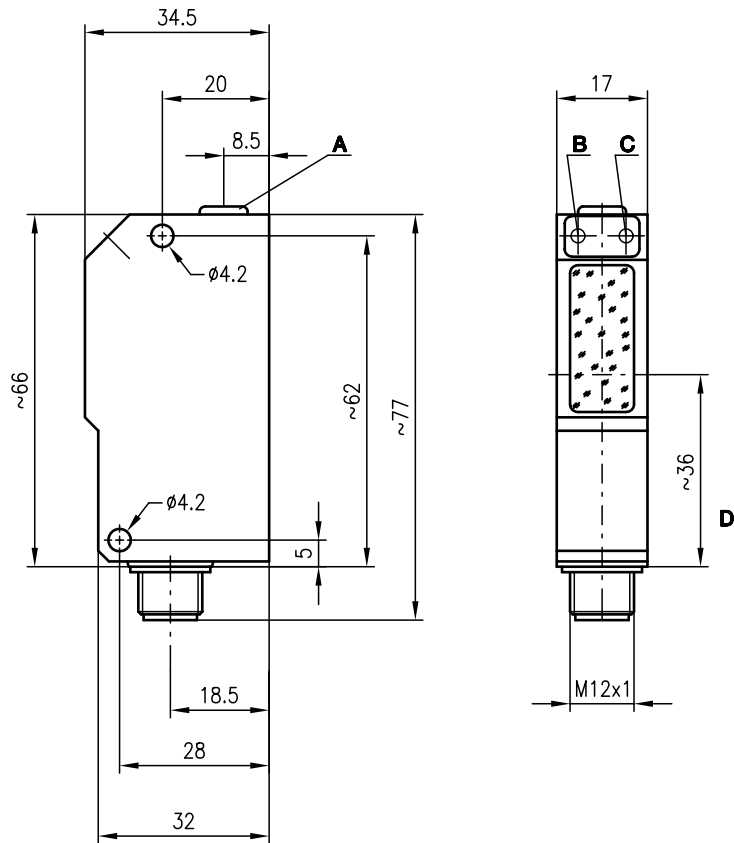


ILSR 95

Throughbeam photoelectric sensors



Dimensioned drawing



- A Sensitivity adjustment
- B Switching indicator yellow
- C Operation indicator green
- D Optical axis

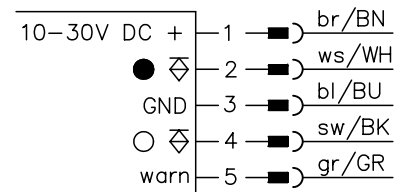
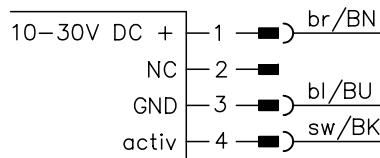


0 ... 18m



- Throughbeam photoelectric sensor with high performance reserve in red light
- High switching frequency for detection of fast events
- Small construction with glass cover and robust zinc diecast housing, protection class IP 67/IP 69K for industrial application
- Complementary switching outputs for light/dark switching or as a control function
- Very good alignment through wide switching lobe
- Sensitivity adjustment for optimal adaptation to the application

Electrical connection



Accessories:

(available separately)

- Mounting systems (BT 95, UMS 1)
- M12 connectors (KD ...)

We reserve the right to make changes • 95\_a05e.fm



## Specifications

### Optical data

Typ. operating range limit <sup>1)</sup>	0 ... 18m
Operating range <sup>2)</sup>	0 ... 12m
Light source	LED (modulated light)
Wavelength	660nm

### Timing

Switching frequency	1000Hz
Response time	0.5ms
Delay before start-up	≤ 100ms

### Electrical data

Operating voltage $U_B$	10 ... 30VDC (incl. residual ripple)
Residual ripple	≤ 15% of $U_B$
Bias current	≤ 35mA
Switching output	2 PNP transistor outputs, complementary
Function characteristics	light/dark switching
Signal voltage high/low	≥ ( $U_B - 2V$ )/≤ 2V
Output current	max. 100mA
Sensitivity	adjustable with multiturn potentiometer

### Indicators

LED green	ready
LED yellow	light path free
LED yellow flashing	light path free, no performance reserve

### Mechanical data

Housing	diecast zinc
Optics cover	glass
Weight	90g
Connection type	M12 connector, stainless steel receiver 4-pin, transmitter 4-pin

### Environmental data

Ambient temp. (operation/storage) <sup>3)</sup>	25°C (-30°C) ... +60°C/-40°C ... +70°C
Protective circuit <sup>4)</sup>	2, 3
VDE safety class <sup>5)</sup>	II, all-insulated
Protection class	IP 67, IP 69K <sup>6)</sup>
LED class	1 (acc. to EN 60825-1)
Standards applied	IEC 60947-5-2

### Options

<b>Activation input</b> activ	
Transmitter active/not active	≥ 8V/≤ 2V or not connected
Activation/disable delay	≤ 1ms
Input resistance	4.7kΩ ± 10%
<b>Warning output autoControl</b> warn	
Signal voltage high/low	PNP transistor, counting principle
Output current	≥ ( $U_B - 2V$ )/≤ 2V max. 100mA

- 1) Typ. operating range limit: max. attainable range without performance reserve
- 2) Operating range: recommended range with performance reserve
- 3) -30°C with operating voltage continuously applied
- 4) 2=polarity reversal protection, 3=short-circuit protection for all outputs
- 5) Rating voltage 250 VAC
- 6) IP 69K test acc. to DIN 40050 part 9 simulated, high pressure cleaning conditions without the use of additives, acids and bases are not part of the test

## Order guide

	Designation	Part No.
Transmitter and receiver	ILSR 95/44.8 L.1	
Transmitter	LSR 95/2.8 SE-L.1	500 34509
Receiver	ILSR 95/44 E-L.1	500 34510

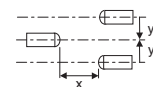
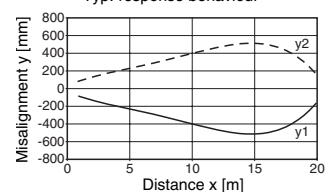
## Tables

0	12	18
---	----	----

<input type="checkbox"/>	Operating range [m]
<input type="checkbox"/>	Typ. operating range limit [m]

## Diagrams

Typ. response behaviour



## Remarks