

Repeater

KFD0-CS-Ex1.54-Y2

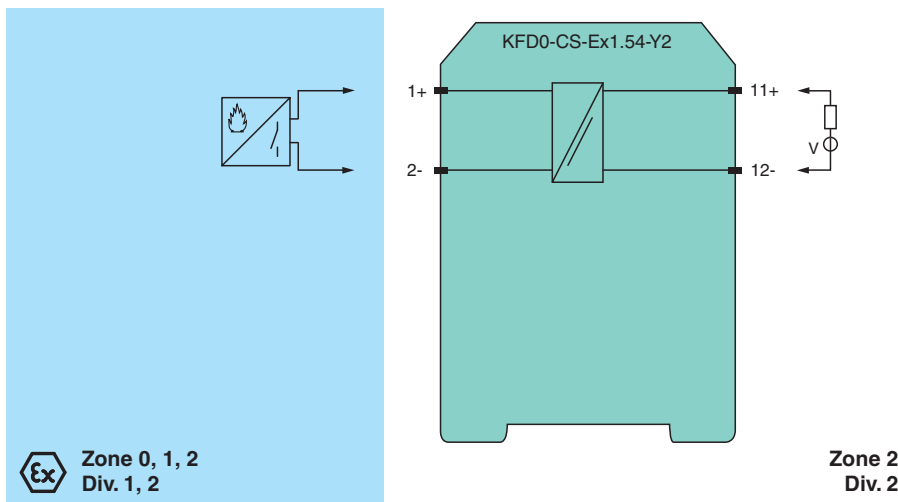
- 1-channel isolated barrier
- 24 V DC supply (loop powered)
- SMART fire alarm input
- Current input 1 mA ... 20 mA



Function

This isolated barrier is used for intrinsic safety applications. It provides control and signal transfer for SMART compatible fire and smoke alarm transmitters inside hazardous areas. The typical application for the barrier is connection of a fire detector loop to a control panel through a System Sensor® translator device (typically an IST200). The fall time of the digital signal must be less than 50 μ s, the current in the hazardous area must be bigger than 1 mA. Since this isolator is loop-powered, use the technical data to verify that proper voltage is available to the field devices.

Connection



Technical Data

General specifications	
Signal type	Analog input
Supply	
Rated voltage	U_r 0 ... 24 V DC , loop powered
Power dissipation	0.2 W
Control circuit	
Connection	terminals 11+, 12-
Current	0 ... 20 mA
Transmission range	current: 1 ... 20 mA voltage: 0 ... 24 V
Field circuit	

Release date: 2023-04-18 Date of issue: 2023-04-18 Filename: 2411590_eng.pdf

Refer to "General Notes Relating to Pepperl+Fuchs Product Information".

Pepperl+Fuchs Group
www.pepperl-fuchs.com

USA: +1 330 486 0002
pa-info@us.pepperl-fuchs.com

Germany: +49 621 776 2222
pa-info@de.pepperl-fuchs.com

Singapore: +65 6779 9091
pa-info@sg.pepperl-fuchs.com

PEPPERL+FUCHS

Technical Data

Connection		terminals 1+, 2-
Short-circuit current		≤ 43 mA
Transfer characteristics		
Deviation		
After calibration		≤ 3.5 mA current loss at 20 mA load current
Influence of ambient temperature		± 20 µA / K
Rise time/fall time		≤ 50 µs (load current ≥ 1 mA)
Galvanic isolation		
Input/Output		safe electrical isolation acc. to IEC/EN 60079-11, voltage peak value 375 V
Indicators/settings		
Labeling		space for labeling at the front
Directive conformity		
Electromagnetic compatibility		
Directive 2014/30/EU		EN 61326-1:2013 (industrial locations)
Conformity		
Electromagnetic compatibility		
Degree of protection		NE 21:2006
Protection against electrical shock		IEC 60529:2001
		UL 61010-1
Ambient conditions		
Ambient temperature		-20 ... 60 °C (-4 ... 140 °F)
Mechanical specifications		
Degree of protection		
		IP20
Connection		
		screw terminals
Mass		
		approx. 100 g
Dimensions		
		20 x 107 x 115 mm (0.8 x 4.2 x 4.5 inch) (W x H x D) , housing type B1
Mounting		
		on 35 mm DIN mounting rail acc. to EN 60715:2001
Data for application in connection with hazardous areas		
EU-type examination certificate		
		BAS 00 ATEX 7087
Marking		
		⊕ II (1)G [Ex ia Ga] IIC ⊕ II (1)D [Ex ia Da] IIIC ⊕ I (M1) [Ex ia Ma] I
Voltage	U _o	25.2 V
Current	I _o	43 mA
Power	P _o	271 mW
Supply		
Maximum safe voltage	U _m	250 V (Attention! The rated voltage can be lower.)
Certificate		
		TÜV 99 ATEX 1499 X
Marking		
		⊕ II 3G Ex nA II T4
Galvanic isolation		
Input/Output		safe electrical isolation acc. to IEC/EN 60079-11, voltage peak value 375 V
Directive conformity		
Directive 2014/34/EU		EN IEC 60079-0:2018+AC:2020 , EN 60079-11:2012 , EN 60079-15:2010
International approvals		
FM approval		
Control drawing		116-0129 (cFMus)
UL approval		
		E106378
Control drawing		116-0348 (cULus)
IECEx approval		
IECEx certificate		IECEx BAS 08.0079 IECEx BAS 10.0007X
IECEx marking		[Ex ia Ga] IIC , [Ex ia Da] IIIC , [Ex ia Ma] I Ex nA IIC T4 Gc
General information		
Supplementary information		Observe the certificates, declarations of conformity, instruction manuals, and manuals where applicable. For information see www.pepperl-fuchs.com .

Release date: 2023-04-18 Date of issue: 2023-04-18 Filename: 2411590_eng.pdf

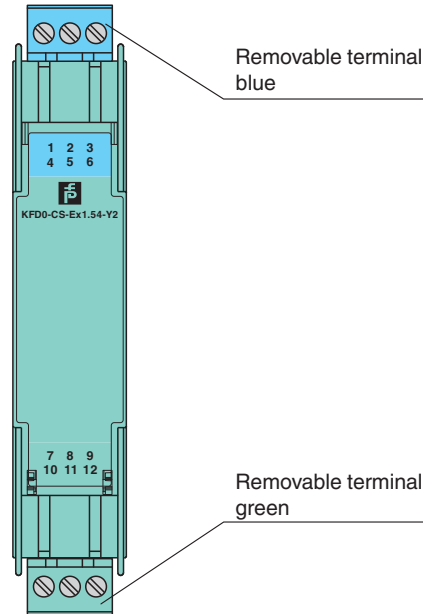
Refer to "General Notes Relating to Pepperl+Fuchs Product Information".

Pepperl+Fuchs Group
www.pepperl-fuchs.comUSA: +1 330 486 0002
pa-info@us.pepperl-fuchs.comGermany: +49 621 776 2222
pa-info@de.pepperl-fuchs.comSingapore: +65 6779 9091
pa-info@sg.pepperl-fuchs.com

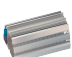
PEPPERL+FUCHS

Assembly




Front view



Matching System Components

	K-DUCT-BU	Profile rail, wiring comb field side, blue
---	------------------	--

Accessories

	KF-ST-5GN	Terminal block for KF modules, 3-pin screw terminal, green
	KF-ST-5BU	Terminal block for KF modules, 3-pin screw terminal, blue
	KF-CP	Red coding pins, packaging unit: 20 x 6

Release date: 2023-04-18 Date of issue: 2023-04-18 Filename: 241590_eng.pdf