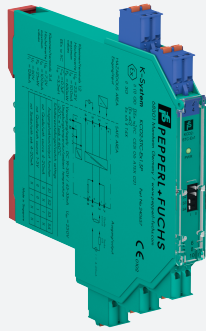


SMART Transmitter Power Supply KCD2-STC-Ex1.SP



- 1-channel isolated barrier
- 24 V DC supply (Power Rail)
- Input for 2-wire SMART transmitters and current sources
- Output for 4 mA ... 20 mA or 1 V ... 5 V
- Housing width 12.5 mm
- Connection via spring terminals with push-in connection technology
- Up to SIL 2 (SC 3) acc. to IEC/EN 61508



Function

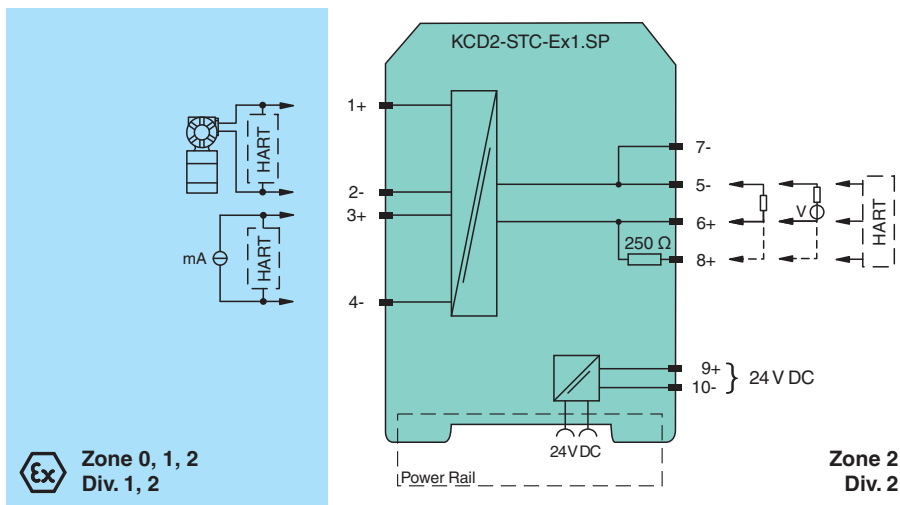
This isolated barrier is used for intrinsic safety applications. The device supplies 2-wire SMART transmitters in a hazardous area, and can also be used with 2-wire SMART current sources. It transfers the analog input signal to the safe area as an isolated current value. Digital signals may be superimposed on the input signal in the hazardous or safe area and are transferred bi-directionally. Selectable output of current source, sink mode, or voltage output is available via DIP switches. If the HART communication resistance in the loop is too low, the internal resistance of 250 Ω between terminals 6 and 8 can be used. Test sockets for the connection of HART communicators are integrated into the terminals of the device.

Application

The device supports the following SMART protocols:

- HART
- BRAIN

Connection



Technical Data

General specifications

Signal type	Analog input
-------------	--------------

Release date: 2023-10-27 Date of issue: 2023-10-27 Filename: 70150939_eng.pdf

Refer to "General Notes Relating to Pepperl+Fuchs Product Information".

Pepperl+Fuchs Group
www.pepperl-fuchs.com

USA: +1 330 486 0002
pa-info@us.pepperl-fuchs.com

Germany: +49 621 776 2222
pa-info@de.pepperl-fuchs.com

Singapore: +65 6779 9091
pa-info@sg.pepperl-fuchs.com



Technical Data

Functional safety related parameters		
Safety Integrity Level (SIL)		SIL 2
Systematic capability (SC)		SC 3
Supply		
Connection		Power Rail or terminals 9+, 10-
Rated voltage	U_r	19 ... 30 V DC
Ripple		$\leq 10 \%$
Rated current	I_r	$\leq 45 \text{ mA}$ at 24 V and 20 mA source mode output
Power dissipation		$\leq 800 \text{ mW}$
Power consumption		$\leq 1.1 \text{ W}$
Input		
Connection side		field side
Connection		terminals 1+, 2-; 3+, 4-
Input signal		4 ... 20 mA limited to approx. 26 mA
Open circuit voltage/short-circuit current		terminals 1+, 2-: 22 V / 26 mA
Voltage drop		terminals 3+, 4- : approx. 5 V
Available voltage		terminals 1+, 2-: $\geq 15 \text{ V}$ at 20 mA ; $\geq 18 \text{ V}$ at 4 mA
Output		
Connection side		control side
Connection		terminals 5-, 6+ terminals 5-, 8+ for HART resistor
Load		0 ... 350 Ω (source mode)
Output signal		source mode: 4 ... 20 mA or 1 ... 5 V (internal resistor: 250 Ω , 0.1 %) sink mode: 4 ... 20 mA, operating voltage 10 ... 30 V For additional internal or external loads (e. g. terminal +8) the voltage drop has to be considered, e. g. 250 Ω x 20 mA = 5 V.
Ripple		20 mV _{rms}
Transfer characteristics		
Deviation		at 20 °C (68 °F) $< 0.1 \%$ of full scale, incl. non-linearity and hysteresis (source mode and sink mode 4 ... 20 mA) $\leq \pm 0.2 \%$ incl. non-linearity and hysteresis (source mode 1 ... 5 V)
Influence of ambient temperature		$< 2 \mu\text{A/K}$ (-20 ... 70 °C (-4 ... 158 °F)); $< 4 \mu\text{A/K}$ (-40 ... -20 °C (-40 ... -4 °F)) (source mode and sink mode 4 ... 20mA) $< 0.5 \text{ mV/K}$ (-20 ... 70 °C (-4 ... 158 °F)); $< 1 \text{ mV/K}$ (-40 ... -20 °C (-40 ... -4 °F)) (source mode 1...5 V)
Frequency range		field side into the control side: bandwidth with 0.5 V _{pp} signal 0 ... 3 kHz (-3 dB) control side into the field side: bandwidth with 0.5 V _{pp} signal 0 ... 3 kHz (-3 dB)
Settling time		$\leq 50 \text{ ms}$
Rise time/fall time		$\leq 10 \text{ ms}$
Galvanic isolation		
Input/Output		basic insulation according to IEC/EN 61010-1, rated insulation voltage 300 V _{eff}
Input/power supply		reinforced insulation according to IEC/EN 61010-1, rated insulation voltage 300 V _{eff}
Output/power supply		basic insulation according to IEC/EN 61010-1, rated insulation voltage 300 V _{eff}
Indicators/settings		
Display elements		LED
Control elements		DIP switch
Configuration		via DIP switches
Labeling		space for labeling at the front
Directive conformity		
Electromagnetic compatibility		
Directive 2014/30/EU		EN 61326-1:2013 (industrial locations)
Conformity		
Electromagnetic compatibility		NE 21:2017 EN 61326-3-2:2018
Degree of protection		IEC 60529:2001
Protection against electrical shock		UL 61010-1:2019

Release date: 2023-10-27 Date of issue: 2023-10-27 Filename: 70150939_eng.pdf

Refer to "General Notes Relating to Pepperl+Fuchs Product Information".

 Pepperl+Fuchs Group
www.pepperl-fuchs.com

 USA: +1 330 486 0002
pa-info@us.pepperl-fuchs.com

 Germany: +49 621 776 2222
pa-info@de.pepperl-fuchs.com

 Singapore: +65 6779 9091
pa-info@sg.pepperl-fuchs.com

 **PEPPERL+FUCHS**

Technical Data

Ambient conditions		
Ambient temperature		-40 ... 70 °C (-40 ... 158 °F)
Mechanical specifications		
Degree of protection		IP20
Connection		spring terminals
Mass		approx. 100 g
Dimensions		12.5 x 119 x 114 mm (0.5 x 4.7 x 4.5 inch) (W x H x D) , housing type A2
Mounting		on 35 mm DIN mounting rail acc. to EN 60715:2001
Data for application in connection with hazardous areas		
EU-type examination certificate		CESI 06 ATEX 021 X
Marking		⊕ II (1)G [Ex ia Ga] IIC ⊕ II (1)D [Ex ia Da] IIIC ⊕ I (M1) [Ex ia Ma] I
Input		Ex ia
Supply		
Maximum safe voltage	U_m	250 V AC (Attention! U_m is no rated voltage.)
Equipment		terminals 1+, 2-
Voltage	U_o	25.2 V
Current	I_o	100 mA
Power	P_o	630 mW
Internal capacitance	C_i	5.7 nF
Internal inductance	L_i	negligible
Equipment		terminals 3+, 4-
Voltage	U_i	30 V
Current	I_i	128 mA
Power	P_i	1000 mW
Voltage	U_o	7.2 V
Current	I_o	100 mA
Power	P_o	25 mW
Internal capacitance	C_i	5.7 nF
Internal inductance	L_i	negligible
Certificate		CESI 19 ATEX 021 X
Marking		⊕ II 3G Ex ec IIC T4 Gc
Galvanic isolation		
Input/Output		safe electrical isolation acc. to IEC/EN 60079-11, voltage peak value 375 V
Input/power supply		safe electrical isolation acc. to IEC/EN 60079-11, voltage peak value 375 V
Directive conformity		
Directive 2014/34/EU		EN IEC 60079-0:2018 , EN 60079-11:2012 , EN IEC 60079-7:2015+A1:2018
International approvals		
FM approval		
FM certificate		FM 18 CA 0116 X , FM 19 US 0117 X
Control drawing		116-0469 (cFMus)
UL approval		
Control drawing		116-0459 (cULus)
IECEx approval		
IECEx certificate		IECEx CES 06.0001X
IECEx marking		[Ex ia Ga] IIC , [Ex ia Da] IIIC , [Ex ia Ma] I Ex ec IIC T4 Gc
General information		
Supplementary information		Observe the certificates, declarations of conformity, instruction manuals, and manuals where applicable. For information see www.pepperl-fuchs.com .

Release date: 2023-10-27 Date of issue: 2023-10-27 Filename: 70150939_eng.pdf

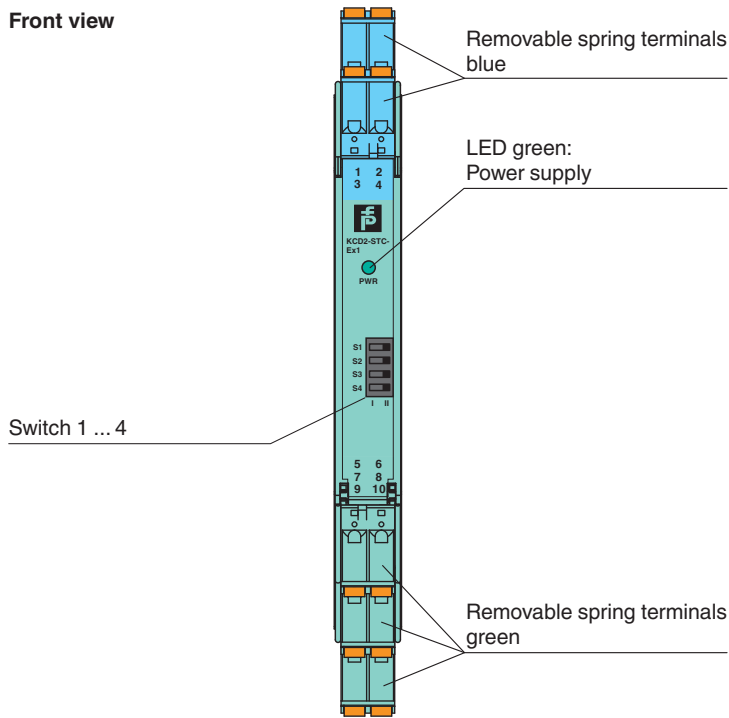
Refer to "General Notes Relating to Pepperl+Fuchs Product Information".

Pepperl+Fuchs Group
www.pepperl-fuchs.comUSA: +1 330 486 0002
pa-info@us.pepperl-fuchs.comGermany: +49 621 776 2222
pa-info@de.pepperl-fuchs.comSingapore: +65 6779 9091
pa-info@sg.pepperl-fuchs.com

PEPPERL+FUCHS

Assembly

Front view



Release date: 2023-10-27 Date of issue: 2023-10-27 Filename: 70150939_eng.pdf

Refer to "General Notes Relating to Pepperl+Fuchs Product Information".

Pepperl+Fuchs Group
www.pepperl-fuchs.com

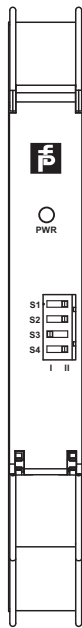
USA: +1 330 486 0002
pa-info@us.pepperl-fuchs.com

Germany: +49 621 776 2222
pa-info@de.pepperl-fuchs.com

Singapore: +65 6779 9091
pa-info@sg.pepperl-fuchs.com

 **PEPPERL+FUCHS**

Configuration



Output switch settings

Mode of operation	S1	S2	S3	S4
Current source output 4 ... 20 mA	II	II	I	II
Voltage source output 1 ... 5 V	II	II	I	I
Current sink output 4 ... 20 mA	II	I	II	II

Factory setting: current source output 4 ... 20 mA

Release date: 2023-10-27 Date of issue: 2023-10-27 Filename: 70150939_eng.pdf