



## AV 20LB2X20U

- left-hand model
- Thermoplastic enclosure
- Fail-safe locking system
- for 1-leaf doors
- authorised for use in passenger elevators
- Manual release by means of M5 triangular key

## Data

### Ordering data

|                               |               |
|-------------------------------|---------------|
| Product type description      | AV 20LB2X20U  |
| Article number (order number) | 101196185     |
| EAN (European Article Number) | 4030661364155 |
| eCl@ss number, version 12.0   | 27-27-26-03   |
| eCl@ss number, version 11.0   | 27-27-26-03   |
| eCl@ss number, version 9.0    | 27-27-26-03   |
| ETIM number, version 7.0      | EC002593      |
| ETIM number, version 6.0      | EC002593      |

### Approvals - Standards

|              |            |
|--------------|------------|
| Certificates | TÜV<br>CCC |
|--------------|------------|

## General data

|                               |   |
|-------------------------------|---|
| Standards                     | EN 81-20<br>EN 81-50  |
| Housing material              | Plastic, glass-fibre reinforced thermoplastic, self-extinguishing |
| Material of the latching bolt | Brass   |
| Gross weight                  | 877 g   |

## General data - Features

|                                     |     |
|-------------------------------------|-----|
| Manual release                      | Yes |
| With fail-safe locking system (Y/N) | Yes |
| Safety functions                    | Yes |
| Number of auxiliary contacts        | 1   |
| Number of door leafs                | 1   |
| Number of safety contacts           | 1   |

## Mechanical data

|                         |   |
|-------------------------|---|
| Actuating element       | Roller lever H65 and bearing block B2                   |
| Orientation / Alignment | left-hand model   |
| Mounting                | rear-side mounting holes                                |
| Permanent magnet        | Ceramic oxide magnets with high coercive field strength |

## Mechanical data - Connection technique

|             |                     |
|-------------|---------------------|
| Cable entry | without cable gland |
|-------------|---------------------|

## Mechanical data - Dimensions

|        |        |
|--------|--------|
| Width  | 165 mm |
| Height | 80 mm  |

|   |   |
|---|---|
| Depth                                   | 37 mm   |
| Diameter of the latching bolt           | 18 mm   |
| X-dimension of the latching bolt        | 20 mm   |
| Note (X-dimension of the latching bolt) | The entire locking bolt length results from the prescribed insertion depth of the locking bolt into the door leaf of 21 mm and dimension X. Dimension X represents the distance between the bottom of the enclosure of the door closing device and the top of the door. |
| Latching bolt bevelling, bottom         | 45 °  |

## Ambient conditions

|                      |                |
|----------------------|----------------|
| Degree of protection | IP54           |
| Ambient temperature  | -15 ... +70 °C |

## Ambient conditions - Insulation values

|   |         |
|---|---------|
| Rated insulation voltage $U_i$            | 500 VAC |
| Rated impulse withstand voltage $U_{imp}$ | 6 kV    |

## Electrical data

|                            |                        |
|----------------------------|------------------------|
| Thermal test current       | 10 A                   |
| Utilisation category AC-15 | 230 VAC                |
| Utilisation category AC-15 | 2 A                    |
| Utilisation category DC-13 | 200 VDC                |
| Utilisation category DC-13 | 2 A                    |
| Switching element          | NC contact, NO contact |
| Switching principle        | Slow action            |

Material of the contacts, electrical Silver

## Note

Note (Manual release) For manual release using M5 triangular key, available as accessory

## Ordering code

Product type description:  
AV 20(1)(2)(3)U-GB215

(1)

|          |                  |
|----------|------------------|
| <b>L</b> | left-hand model  |
| <b>R</b> | right-hand model |

(2)

|                |                  |
|----------------|------------------|
| <b>without</b> | Pull strap       |
| <b>H</b>       | Lever H65        |
| <b>H92</b>     | Lever H92        |
| <b>H105</b>    | Lever H105       |
| <b>B</b>       | Bearing block B  |
| <b>B2</b>      | Bearing block B2 |

(3)

|              |  |
|--------------|--|
| <b>X11,5</b> | X-dimension of the latching bolt = 11,5 mm |
| <b>X20</b>   | X-dimension of the latching bolt = 20 mm   |
| <b>X30</b>   | X-dimension of the latching bolt = 30 mm   |
| <b>X40</b>   | X-dimension of the latching bolt = 40 mm   |
| <b>X45</b>   | X-dimension of the latching bolt = 45 mm   |

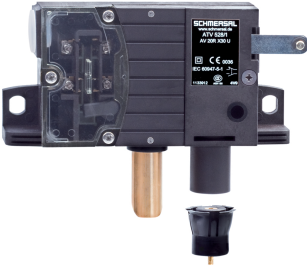
**Note:**

U = interlock bevel on the underside  
GB215 = additional, front-side M8 mounting holes

Variants that differ from this are special versions.  
Availability on request.

## Pictures

### Product picture (catalogue individual photo)



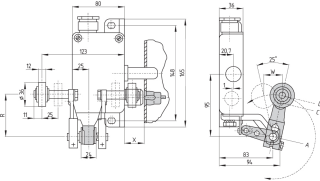
ID: kav20f04

| 448.5 kB | .jpg | 352.778 x 305.153 mm - 1000 x 865 px - 72 dpi

| 34.5 kB | .png | 74.083 x 64.206 mm - 210 x 182 px - 72 dpi

| 55.0 kB | .jpg | 123.472 x 106.892 mm - 350 x 303 px - 72 dpi

### Dimensional drawing basic component



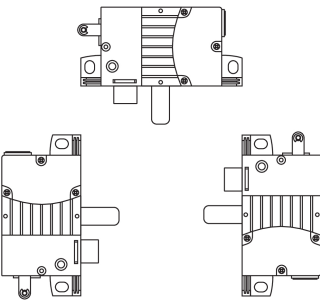
ID: 5av15g05

| 46.2 kB | .cdr |

| 10.6 kB | .png | 74.083 x 41.275 mm - 210 x 117 px - 72 dpi

| 139.9 kB | .jpg | 352.778 x 196.497 mm - 1000 x 557 px - 72 dpi

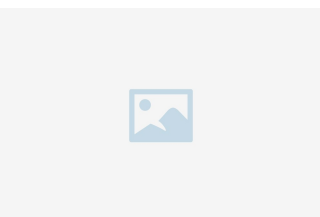
### Images (miscellaneous)



ID: kav20m02

| 123.2 kB | .jpg | 352.778 x 323.85 mm - 1000 x 918 px - 72 dpi

### Assembly example



ID: kav--m03

| 23.5 kB | .cdr |

Schmersal India Pvt. Ltd., Plot No - G-7/1, Ranjangaon MIDC, Tal. - Shirur, Dist.- Pune 412 220

The details and data referred to have been carefully checked. Images may diverge from original. Further technical data can be found in the manual. Technical amendments and errors possible.

Generated on: 16/09/2024, 6:41 am