



BN 32-11R

- Non-contact principle
- 1 Reed contacts
- Long life
- Actuating surface and direction of actuation marked by switch symbol
- 85 mm x 26 mm x 24 mm
- Thermoplastic enclosure
- Actuating distance up to 55 mm depending on actuating magnet and version
- Spade connector

Data

Ordering data

Product type description	BN 32-11R
Article number (order number)	101057243
EAN (European Article Number)	4030661025520
eCl@ss number, version 12.0	27-27-43-02
eCl@ss number, version 11.0	27-27-01-05
eCl@ss number, version 9.0	27-27-01-05
ETIM number, version 7.0	EC002544
ETIM number, version 6.0	EC002544

General data

Working principle	Magnetic drive
Housing construction form	Block
Housing material	Glass-fibre, reinforced thermoplastic
Active area	Plastic

Gross weight 59 g

General data - Features

Latching Yes

Mechanical data

Actuating panels lateral
Active area lateral
Actuating element Magnet
Mechanical life, minimum 1,000,000,000 Operations
Actuating speed, maximum 18 m/s

Mechanical data - Switching distances according EN IEC 60947-5-3

Switching distance S_n 5 mm ... 55 mm
2 x BP 21S = 20 ... 55 mm
BP 34S = 10 ... 25 mm
BP 10N = 10 mm
BP 10S = 10 mm
2 x BP 10N = 15 mm
2 x BP 10S = 15 mm
BP 15N = 12 mm
BP 15S = 12 mm
2 x BP 15/2N = 17 mm
2 x BP 15/2S = 17mm
BP 34N = 10 ... 25mm
BP 20N = 5 ... 20 mm
BP 20S = 5 ... 20 mm
BP 31N = 5 ... 20 mm
BP 31S = 5 ... 20 mm
BP 11N = 10 mm
BP 11S = 10 mm
2 x BP 11N = 20 mm
2 x BP 11S = 20 mm
BP 12N = 15 mm
BP 12S = 15 mm
2 x BP 12N = 10 ... 25 mm
2 x BP 12S = 10 ... 25 mm
BP 21N = 15 ... 40 mm
BP 21S = 15 ... 40 mm
2 x BP 21N = 20 ... 55 mm
BE 20N = 15 mm
BE 20S = 15 mm

Note (Switching distance Sn)	Actuating distance up to 55 mm depending on version and actuating magnet
Repeat accuracy R	0.3 mm

Mechanical data - Connection technique

Termination	Flat plug-in connector 4.8 mm
-------------	-------------------------------

Mechanical data - Dimensions

Length of sensor	24 mm
Width of sensor	85 mm
Height of sensor	26 mm

Ambient conditions

Degree of protection	IP67
Ambient temperature	-25 ... +90 °C
Resistant to vibration	15 g, on sine wave oscillation

Electrical data

Switching voltage, maximum	220 VAC
Switching current, maximum	1 A
Switching capacity, maximum	60 W
Switching capacity, maximum	60 VA
Switching element	NO contact / NC contact
Bounce duration, minimum	0.3 ms
Bounce duration, maximum	0.6 ms
Maximum switching frequency	720,000 /h

Electrical data - Digital Output

Design of control elements	Reed contacts
----------------------------	---------------

Scope of delivery

Scope of delivery Actuator must be ordered separately.

Accessory

Recommendation (actuator) BP 10 S
 2x BP 10 S
 BP 15 S
 BP 34 S
 BP 20 S
 BP 31 S
 BP 11 S
 2x BP 11 S
 BP 12 S
 BP 21 S
 2x BP 21 S
 BE 20 S
 BP 10 N
 2x BP 10 N
 BP 15 N
 2 x BP 15/2 N
 2x BP 15/2 S
 BP 34 N
 BP 20 N
 BP 31 N
 BP 11 N
 2x BP 11 N
 BP 12 N
 2x BP 12 N
 2x BP 12 S
 BP 21 N
 2x BP 21 N
 BE 20 N

Note

Note (General) The opening and closing functions depend on the direction of actuation, the actuating magnets and the polarity of the actuating magnets.

Pictures

Product picture (catalogue individual photo)



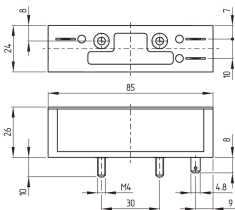
ID: kbn32f02

| 281.3 kB | .jpg | 352.778 x 192.617 mm - 1000 x 546 px - 72 dpi

| 20.4 kB | .png | 74.083 x 40.569 mm - 210 x 115 px - 72 dpi

| 35.6 kB | .jpg | 123.472 x 67.381 mm - 350 x 191 px - 72 dpi

Dimensional drawing basic component



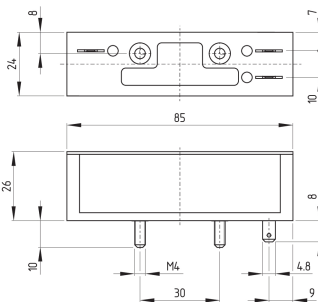
ID: 1bn32g03

| 28.6 kB | .cdr |

| 3.4 kB | .png | 74.083 x 51.153 mm - 210 x 145 px - 72 dpi

| 85.4 kB | .jpg | 352.778 x 243.769 mm - 1000 x 691 px - 72 dpi

Dimensional drawing basic component



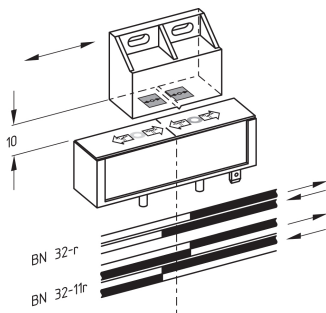
ID: kbn32g03

| 27.7 kB | .cdr |

| 4.0 kB | .png | 74.083 x 68.439 mm - 210 x 194 px - 72 dpi

| 116.9 kB | .jpg | 352.778 x 325.967 mm - 1000 x 924 px - 72 dpi

Diagram



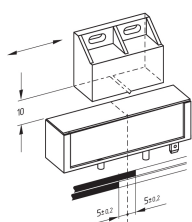
ID: 1bn32k02

| 32.7 kB | .cdr |

| 197.8 kB | .jpg | 352.778 x 336.55 mm - 1000 x 954 px - 72 dpi

| 19.3 kB | .png | 74.083 x 70.556 mm - 210 x 200 px - 72 dpi

Diagram



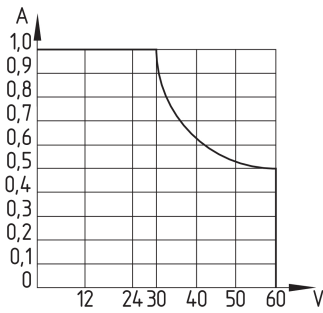
ID: 1bn32k04

| 24.8 kB | .cdr |

| 99.3 kB | .jpg | 352.778 x 243.769 mm - 1000 x 691 px - 72 dpi

| 11.9 kB | .png | 74.083 x 51.153 mm - 210 x 145 px - 72 dpi

Characteristic curve



ID: kbn85d01

| 2.9 kB | .png | 74.083 x 69.497 mm - 210 x 197 px - 72 dpi

| 124.1 kB | .jpg | 352.778 x 331.258 mm - 1000 x 939 px - 72 dpi

Schmersal India Pvt. Ltd., Plot No - G-7/1, Ranjangaon MIDC, Tal. - Shirur, Dist.- Pune 412 220

The details and data referred to have been carefully checked. Images may diverge from original. Further technical data can be found in the manual. Technical amendments and errors possible.

Generated on: 22/08/2024, 1:58 pm