



BN 32-R-1239

- Flat plug-in connector 4.8 mm
- Non-contact principle
- 1 Reed kontakts
- Long life
- Actuating surface and direction of actuation marked by switch symbol
- 85 mm x 26 mm x 24 mm
- Thermoplastic enclosure
- Actuating distance up to 55 mm depending on actuating magnet and version
- Spade connector

Data

Ordering data

| | |
|-------------------------------|---------------|
| Product type description | BN 32-R-1239 |
| Article number (order number) | 101057234 |
| EAN (European Article Number) | 4030661025278 |
| eCl@ss number, version 12.0 | 27-27-43-02 |
| eCl@ss number, version 11.0 | 27-27-01-05 |
| eCl@ss number, version 9.0 | 27-27-01-05 |
| ETIM number, version 7.0 | EC002544 |
| ETIM number, version 6.0 | EC002544 |

General data

| | |
|---------------------------|---------------------------------------|
| Working principle | Magnetic drive |
| Housing construction form | Block |
| Housing material | Glass-fibre, reinforced thermoplastic |

| | |
|--------------|---------|
| Active area | Plastic |
| Gross weight | 72 g |

General data - Features

| | |
|----------------------------|-----|
| Latching | Yes |
| Suitable for elevators | Yes |
| Number of snap-in contacts | 1 |

Mechanical data

| | |
|--------------------------|--------------------------|
| Actuating panels | lateral |
| Active area | lateral |
| Actuating element | Magnet |
| Mechanical life, minimum | 1,000,000,000 Operations |
| Actuating speed, maximum | 18 m/s |

Mechanical data - Switching distances according EN IEC 60947-5-3

| | |
|--------------------------|---------------------------|
| Switching distance S_n | 5 mm ... 55 mm |
| | 2 x BP 21S = 20 ... 55 mm |
| | BP 34S = 10 ... 25 mm |
| | BE 20 = 20 mm |
| | BP 10N = 10 mm |
| | BP 10S = 10 mm |
| | 2 x BP 10N = 15 mm |
| | 2 x BP 10S = 15 mm |
| | BP 15N = 12 mm |
| | BP 15S = 12 mm |
| | 2 x BP 15/2N = 17 mm |
| | 2 x BP 15/2S = 17mm |
| | BP 34N = 10 ... 25mm |
| | BP 20N = 5 ... 20 mm |
| | BP 20S = 5 ... 20 mm |
| | BP 31N = 5 ... 20 mm |
| | BP 31S = 5 ... 20 mm |
| | BP 11N = 10 mm |
| | BP 11S = 10 mm |
| | 2 x BP 11N = 20 mm |
| | 2 x BP 11S = 20 mm |
| | BP 12N = 15 mm |
| | BP 12S = 15 mm |
| | 2 x BP 12N = 10 ... 25 mm |
| | 2 x BP 12S = 10 ... 25 mm |
| | BP 21N = 15 ... 40 mm |
| | BP 21S = 15 ... 40 mm |
| | 2 x BP 21N = 20 ... 55 mm |
| | BE 20N = 15 mm |
| | BE 20S = 15 mm |

Note (Switching distance S_n) Actuating distance up to 55 mm depending on version and actuating magnet

Repeat accuracy R 0.3 mm

Mechanical data - Connection technique

Termination Flat plug-in connector 4.8 mm

Mechanical data - Dimensions

Length of sensor 24 mm

Width of sensor 85 mm

Height of sensor 26 mm

Ambient conditions

| | |
|------------------------|--------------------------------|
| Degree of protection | IP67 |
| Ambient temperature | -25 ... +90 °C |
| Resistant to vibration | 15 g, on sine wave oscillation |

Electrical data

| | |
|-----------------------------|----------------------------|
| Switching voltage, maximum | 250 VAC |
| Switching current, maximum | 3 A |
| Switching capacity, maximum | 120 W |
| Switching capacity, maximum | 120 VA |
| Switching element | Normally open contact (NO) |
| Bounce duration, minimum | 0.3 ms |
| Bounce duration, maximum | 0.6 ms |

Electrical data - Digital Output

| | |
|----------------------------|---------------|
| Design of control elements | Reed contacts |
|----------------------------|---------------|

Scope of delivery

| | |
|-------------------|--------------------------------------|
| Scope of delivery | Actuator must be ordered separately. |
|-------------------|--------------------------------------|

Accessory

Recommendation (actuator) BP 10 S
2x BP 10 S
BP 15 S
BP 34 S
BP 20 S
BP 31 S
BP 11 S
2x BP 11 S
BP 12 S
BP 21 S
2x BP 21 S
BP 10 N
2x BP 10 N
BP 15 N
2 x BP 15/2 N
2x BP 15/2 S
BP 34 N
BP 20 N
BP 31 N
BP 11 N
2x BP 11 N
BP 12 N
2x BP 12 N
2x BP 12 S
BP 21 N
2x BP 21 N
BE 20 N(S) ST 24VDC
BE 20 N(S) 48VDC

Note

Note (General) The opening and closing functions depend on the direction of actuation, the actuating magnets and the polarity of the actuating magnets.

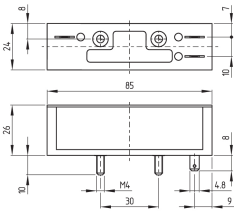
Pictures

Product picture (catalogue individual photo)



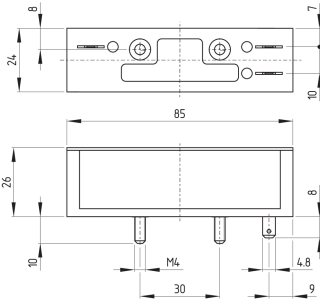
ID: kbn32f02
| 281.3 kB | .jpg | 352.778 x 192.617 mm - 1000 x 546 px - 72 dpi
| 20.4 kB | .png | 74.083 x 40.569 mm - 210 x 115 px - 72 dpi
| 35.6 kB | .jpg | 123.472 x 67.381 mm - 350 x 191 px - 72 dpi

Dimensional drawing basic component



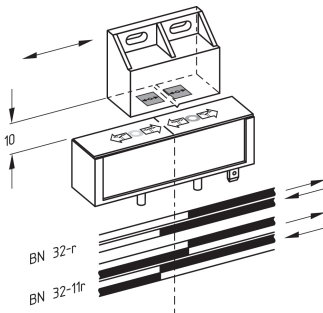
ID: 1bn32g03
 | 28.6 kB | .cdr |
 | 3.4 kB | .png | 74.083 x 51.153 mm - 210 x 145 px - 72 dpi
 | 85.4 kB | .jpg | 352.778 x 243.769 mm - 1000 x 691 px - 72 dpi

Dimensional drawing basic component



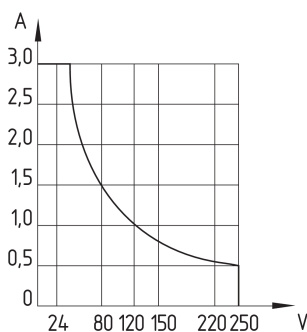
ID: kbn32g03
 | 27.7 kB | .cdr |
 | 4.0 kB | .png | 74.083 x 68.439 mm - 210 x 194 px - 72 dpi
 | 116.9 kB | .jpg | 352.778 x 325.967 mm - 1000 x 924 px - 72 dpi

Diagram



ID: 1bn32k02
 | 32.7 kB | .cdr |
 | 197.8 kB | .jpg | 352.778 x 336.55 mm - 1000 x 954 px - 72 dpi
 | 19.3 kB | .png | 74.083 x 70.556 mm - 210 x 200 px - 72 dpi

Characteristic curve



ID: kbn32d01
 | 110.5 kB | .jpg | 352.425 x 371.828 mm - 999 x 1054 px - 72 dpi

Schmersal India Pvt. Ltd., Plot No - G-7/1, Ranjangaon MIDC, Tal. - Shirur, Dist.- Pune 412 220

The details and data referred to have been carefully checked. Images may diverge from original. Further technical data can be found in the manual. Technical amendments and errors possible.

Generated on: 22/08/2024, 1:59 pm