



BN 325-R-1279

- Cable output left and 2 shielding plates
- Actuation from front
- Non-contact principle
- 1 Reed contacts
- Long life
- Actuating surface and direction of actuation marked by switch symbol
- 85 mm x 26 mm x 24 mm
- Thermoplastic enclosure
- Spade connector

Data

Ordering data

Product type description	BN 325-R-1279
Article number (order number)	101147091
EAN (European Article Number)	4030661141299
eCl@ss number, version 12.0	27-27-43-02
eCl@ss number, version 11.0	27-27-01-05
eCl@ss number, version 9.0	27-27-01-05
ETIM number, version 7.0	EC002544
ETIM number, version 6.0	EC002544

General data

Working principle	Magnetic drive
Housing construction form	rectangular
Housing material	Glass-fibre, reinforced thermoplastic
Gross weight	98 g

General data - Features

Latching	Yes
Suitable for elevators	Yes
Number of snap-in contacts	1

Mechanical data

Actuating panels	front side
Actuating element	Magnet
Mechanical life, minimum	1,000,000,000 Operations
Actuating speed, maximum	18 m/s
Mounting	rear with 2 threaded bolts

Mechanical data - Switching distances according EN IEC 60947-5-3

Switching distance S_n	5 mm ... 55 mm 2 x BP 21S = 20 ... 55 mm BP 34S = 10 ... 25 mm BE 20 = 20 mm BP 10N = 10 mm BP 10S = 10 mm 2 x BP 10N = 15 mm 2 x BP 10S = 15 mm BP 15N = 12 mm BP 15S = 12 mm 2 x BP 15/2N = 17 mm 2 x BP 15/2S = 17mm BP 34N = 10 ... 25mm BP 20N = 5 ... 20 mm BP 20S = 5 ... 20 mm BP 31N = 5 ... 20 mm BP 31S = 5 ... 20 mm BP 11N = 10 mm BP 11S = 10 mm 2 x BP 11N = 20 mm 2 x BP 11S = 20 mm BP 12N = 15 mm BP 12S = 15 mm 2 x BP 12N = 10 ... 25 mm 2 x BP 12S = 10 ... 25 mm BP 21N = 15 ... 40 mm BP 21S = 15 ... 40 mm 2 x BP 21N = 20 ... 55 mm BE 20N = 15 mm BE 20S = 15 mm
--------------------------	---

Note (Switching distance S_n) Actuating distance up to 55 mm depending on actuating magnet and version. The specified switching distances are applicable for the actuation of individually mounted components without ferromagnetic influence. A change of the distance, either positive or negative, is possible due to ferromagnetic influences. The mutual interference between multiple actuating magnets must be observed.

Repeat accuracy R 0.3 mm

Mechanical data - Connection technique

Length of cable	1 m
Termination	Cable outlet left and 2 shielding plates

Mechanical data - Dimensions

Length of sensor	24 mm
Width of sensor	85 mm

Height of sensor 26 mm

Ambient conditions

Degree of protection IP67
Ambient temperature -25 ... +70 °C
Resistance to vibrations 10 ... 55 Hz, amplitude 1 mm
Resistance to shock 50 g / 11 ms

Electrical data

Switching voltage, maximum 250 VAC
Switching current, maximum 3 A
Switching capacity, maximum 120 W
Switching capacity, maximum 120 VA
Switching element bistable contact
Bounce duration, minimum 0.3 ms
Bounce duration, maximum 0.6 ms
Switching frequency, maximum 300 Hz

Electrical data - Digital Output

Design of control elements Reed contacts

Scope of delivery

Scope of delivery Actuator must be ordered separately.

Accessory

Recommendation (actuator)	BP 10 S 2x BP 10 S BP 15 S BP 34 S BP 20 S BP 31 S BP 11 S 2x BP 11 S BP 12 S BP 21 S 2x BP 21 S BP 10 N 2x BP 10 N BP 15 N 2 x BP 15/2 N 2x BP 15/2 S BP 34 N BP 20 N BP 31 N BP 11 N 2x BP 11 N BP 12 N 2x BP 12 N 2x BP 12 S BP 21 N 2x BP 21 N BE 20 BE 20 N(S) ST 24VDC BE 20 N(S) 48VDC
Recommendation (actuator, lift switchgear)	BP 10 2 x BP 15/2 2 x BP 10 BP 15 BP 34

Note

Note (General)	The opening and closing functions depend on the direction of actuation, the actuating magnets and the polarity of the actuating magnets.
----------------	--

Pictures

Product picture (catalogue individual photo)



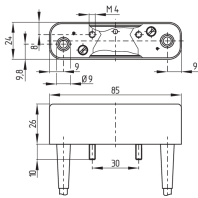
ID: kbn32f01

| 165.3 kB | .jpg | 352.778 x 162.631 mm - 1000 x 461 px - 72 dpi

| 15.6 kB | .png | 74.083 x 34.219 mm - 210 x 97 px - 72 dpi

| 21.2 kB | .jpg | 123.472 x 56.797 mm - 350 x 161 px - 72 dpi

Dimensional drawing basic component



ID: 1bn32g02

| 78.7 kB | .cdr |

| 7.5 kB | .png | 74.083 x 51.153 mm - 210 x 145 px - 72 dpi

| 88.8 kB | .jpg | 352.778 x 244.475 mm - 1000 x 693 px - 72 dpi

Switch travel diagram



ID: ksbn4sx3

| 18.0 kB | .cdr |

| 1.1 kB | .png | 74.083 x 18.697 mm - 210 x 53 px - 72 dpi

| 23.1 kB | .jpg | 352.778 x 88.194 mm - 1000 x 250 px - 72 dpi

Switch travel diagram



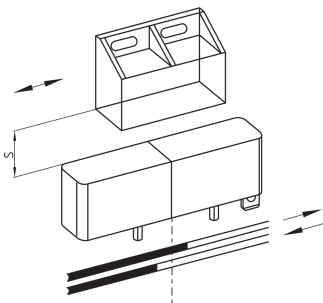
ID: ksbn4sx4

| 18.0 kB | .cdr |

| 1.1 kB | .png | 74.083 x 18.697 mm - 210 x 53 px - 72 dpi

| 22.8 kB | .jpg | 352.778 x 88.194 mm - 1000 x 250 px - 72 dpi

Diagram



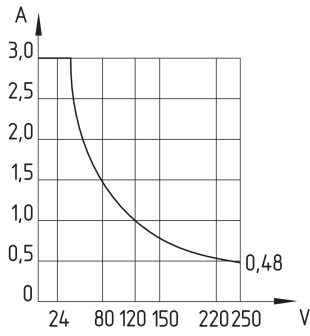
ID: kbn32b02

| 18.8 kB | .cdr |

| 135.1 kB | .jpg | 352.778 x 325.967 mm - 1000 x 924 px - 72 dpi

| 5.2 kB | .png | 74.083 x 68.439 mm - 210 x 194 px - 72 dpi

Characteristic curve



ID: kbn32d03

| 3.1 kB | .png | 73.731 x 77.964 mm - 209 x 221 px - 72 dpi

| 116.4 kB | .jpg | 352.425 x 371.828 mm - 999 x 1054 px - 72 dpi

Schmersal India Pvt. Ltd., Plot No - G-7/1, Ranjangaon MIDC, Tal. - Shirur, Dist.- Pune 412 220

The details and data referred to have been carefully checked. Images may diverge from original. Further technical data can be found in the manual. Technical amendments and errors possible.

Generated on: 22/08/2024, 2:05 pm