



## BN325-R

- Flat plug-in connector and 1 shielding plate
- Actuation from front
- Non-contact principle
- 1 Reed kontakts
- Long life
- Actuating surface and direction of actuation marked by switch symbol
- 85 mm x 26 mm x 24 mm
- Thermoplastic enclosure
- Spade connector

## Data

### Ordering data

Product type description	BN325-R
Article number (order number)	151147009
eCl@ss number, version 12.0	27-27-43-02
eCl@ss number, version 11.0	27-27-01-05
eCl@ss number, version 9.0	27-27-01-05
ETIM number, version 7.0	EC002544
ETIM number, version 6.0	EC002544

### General data

Working principle	Magnetic drive
-------------------	----------------

Housing construction form	rectangular
Housing material	Glass-fibre, reinforced thermoplastic
Gross weight	45 g

### General data - Features

Latching	Yes
Suitable for elevators	Yes
Number of snap-in contacts	1

### Mechanical data

Actuating panels	front side
Actuating element	Magnet
Mechanical life, minimum	1,000,000,000 Operations
Actuating speed, maximum	18 m/s
Mounting	rear with 2 threaded bolts

### Mechanical data - Switching distances according EN IEC 60947-5-3

Switching distance $S_n$	5 mm ... 55 mm
	2 x BP 21S = 20 ... 55 mm
	BP 34S = 10 ... 25 mm
	BE 20 = 20 mm
	BP 10N = 10 mm
	BP 10S = 10 mm
	2 x BP 10N = 15 mm
	2 x BP 10S = 15 mm
	BP 15N = 12 mm
	BP 15S = 12 mm
	2 x BP 15/2N = 17 mm
	2 x BP 15/2S = 17mm
	BP 34N = 10 ... 25mm
	BP 20N = 5 ... 20 mm
	BP 20S = 5 ... 20 mm
	BP 31N = 5 ... 20 mm
	BP 31S = 5 ... 20 mm
	BP 11N = 10 mm
	BP 11S = 10 mm
	2 x BP 11N = 20 mm
	2 x BP 11S = 20 mm
	BP 12N = 15 mm
	BP 12S = 15 mm
	2 x BP 12N = 10 ... 25 mm
	2 x BP 12S = 10 ... 25 mm
	BP 21N = 15 ... 40 mm
	BP 21S = 15 ... 40 mm
	2 x BP 21N = 20 ... 55 mm
	BE 20N = 15 mm
	BE 20S = 15 mm

Note (Switching distance  $S_n$ )      Actuating distance up to 55 mm depending on actuating magnet and version. The specified switching distances are applicable for the actuation of individually mounted components without ferromagnetic influence. A change of the distance, either positive or negative, is possible due to ferromagnetic influences. The mutual interference between multiple actuating magnets must be observed.

Repeat accuracy R      0.3 mm

### Mechanical data - Connection technique

Termination      Flat plug-in connector 4.8 mm and 1 Shielding plate

### Mechanical data - Dimensions

Length of sensor      24 mm

Width of sensor      85 mm

Height of sensor      26 mm

## Ambient conditions

Degree of protection	IP40
Ambient temperature	-25 ... +70 °C
Resistance to vibrations	10 ... 55 Hz, amplitude 1 mm
Resistance to shock	50 g / 11 ms

## Electrical data

Switching voltage, maximum	250 VAC
Switching current, maximum	3 A
Switching capacity, maximum	120 VA
Switching element	bistable contact
Bounce duration, minimum	0.3 ms
Bounce duration, maximum	0.6 ms
Switching frequency, maximum	300 Hz

## Electrical data - Digital Output

Design of control elements	Reed contacts
----------------------------	---------------

## Scope of delivery

Scope of delivery	Actuator must be ordered separately.
-------------------	--------------------------------------

## Accessory

Recommendation (actuator)	BP 10 S
	2x BP 10 S
	BP 15 S
	BP 34 S
	BP 20 S
	BP 31 S
	BP 11 S
	2x BP 11 S
	BP 12 S
	BP 21 S
	2x BP 21 S
	BP 10 N
	2x BP 10 N
	BP 15 N
	2 x BP 15/2 N
	2x BP 15/2 S
	BP 34 N
	BP 20 N
	BP 31 N
	BP 11 N
	2x BP 11 N
	BP 12 N
	2x BP 12 N
	2x BP 12 S
	BP 21 N
	2x BP 21 N
	BE 20
	BE 20 N(S) ST 24VDC
	BE 20 N(S) 48VDC

Recommendation (actuator, lift switchgear)	BP 10
	2 x BP 15/2
	2 x BP 10
	BP 15
	BP 34

## Note

Note (General)	The opening and closing functions depend on the direction of actuation, the actuating magnets and the polarity of the actuating magnets.
----------------	--

## Pictures

### Product picture (catalogue individual photo)



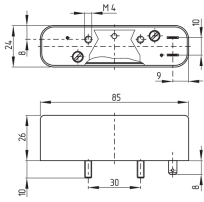
ID: kbn32f01

| 165.3 kB | .jpg | 352.778 x 162.631 mm - 1000 x 461 px - 72 dpi

| 15.6 kB | .png | 74.083 x 34.219 mm - 210 x 97 px - 72 dpi

| 21.2 kB | .jpg | 123.472 x 56.797 mm - 350 x 161 px - 72 dpi

## Dimensional drawing basic component



ID: 1bn32g01

| 25.8 kB | .cdr |

| 3.8 kB | .png | 74.083 x 51.858 mm - 210 x 147 px - 72 dpi

| 78.5 kB | .jpg | 352.778 x 247.297 mm - 1000 x 701 px - 72 dpi

## Switch travel diagram



ID: ksbn4sx3

| 18.0 kB | .cdr |

| 1.1 kB | .png | 74.083 x 18.697 mm - 210 x 53 px - 72 dpi

| 23.1 kB | .jpg | 352.778 x 88.194 mm - 1000 x 250 px - 72 dpi

## Switch travel diagram



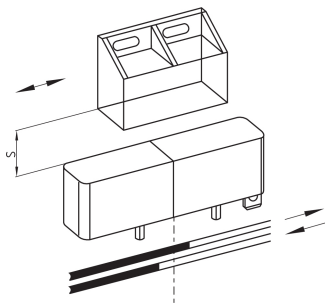
ID: ksbn4sx4

| 18.0 kB | .cdr |

| 1.1 kB | .png | 74.083 x 18.697 mm - 210 x 53 px - 72 dpi

| 22.8 kB | .jpg | 352.778 x 88.194 mm - 1000 x 250 px - 72 dpi

## Diagram



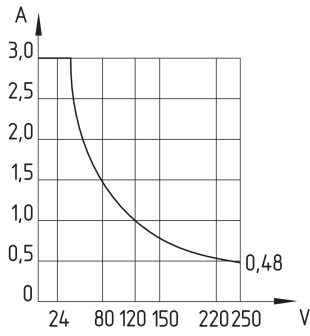
ID: kbn32b02

| 18.8 kB | .cdr |

| 135.1 kB | .jpg | 352.778 x 325.967 mm - 1000 x 924 px - 72 dpi

| 5.2 kB | .png | 74.083 x 68.439 mm - 210 x 194 px - 72 dpi

## Characteristic curve



ID: kbn32d03

| 3.1 kB | .png | 73.731 x 77.964 mm - 209 x 221 px - 72 dpi

| 116.4 kB | .jpg | 352.425 x 371.828 mm - 999 x 1054 px - 72 dpi

Schmersal India Pvt. Ltd., Plot No - G-7/1, Ranjangaon MIDC, Tal. - Shirur, Dist.- Pune 412 220

The details and data referred to have been carefully checked. Images may diverge from original. Further technical data can be found in the manual. Technical amendments and errors possible.

Generated on: 22/08/2024, 2:05 pm