

# Product data sheet

Specifications



## touch panel screen, Harmony STO & STU, 4.3inch wide, Ethernet

HMISTO735

Product availability: Stock - Normally stocked in distribution facility

Price\*: 483.95 USD

### Main

Range of Product	Harmony STO & STU
Product or Component Type	Touch panel screen
Software Designation	EcoStruxure Operator Terminal Expert
Operating System	Harmony

### Complementary

Display size	4.3 inch
Display Type	Colour TFT LCD
Display colour	65536 colours
Display Resolution	480 x 272 pixels
Touch panel	Analogue
Backlight lifespan	50000 hours white
Brightness	16 levels via touch panel
Character font	ASCII (European characters) Cyrillic Taiwanese (traditional Chinese) Chinese (simplified Chinese) Japanese (ANK, Kanji) Korean
[Us] rated supply voltage	12...24 V DC - 10...20 %
Power Consumption in W	8.1 W
number of pages	8999
Port Ethernet	10BASE-T/100BASE-TX
Memory description	Back up of data 512 KB Application memory 26 MB
Integrated connection type	1 USB 2.0 type mini B 1 USB 2.0 type A 1 Ethernet TCP/IP - RJ45
Supply	External source
Realtime clock	With RTC-battery set optional
downloadable protocols	Modbus TCP Modbus Third party protocols
Range Compatibility	Omron Mitsubishi Siemens Allen-Bradley

Price is "List Price" and may be subject to a trade discount – check with your local distributor or retailer for actual price.

<b>Fixing mode</b>	By 2 installation fasteners 1.5 to 6 mm thick panel
<b>Enclosure Material</b>	PPT
<b>Front material</b>	Plastic
<b>Cut-out dimensions</b>	77.5 x 112.5 mm 66 x 105 mm with mounting adaptor
<b>Net Weight</b>	0.49 lb(US) (0.22 kg)

## Environment

<b>Standards</b>	UL 61010-2-201 EN 61131-2 EN 61000-6-2 EN 61000-6-4 CSA C22.2 No 213 CSA C22.2 No 142 UL 61010-1 ANSI/ISA 12.12.01
<b>Product Certifications</b>	CE C-tick ATEX zone 2/22 KCC UL cUL UKCA
<b>Ambient Air Temperature for Operation</b>	32...122 °F (0...50 °C)
<b>Ambient Air Temperature for Storage</b>	-4...140 °F (-20...60 °C)
<b>Relative humidity</b>	10...90 % without condensation
<b>Operating altitude</b>	6561.68 ft (2000 m)
<b>IP degree of protection</b>	IP65f front panel) IP20 rear panel)
<b>NEMA degree of protection</b>	NEMA 4X/13 front panel indoor use)
<b>Shock resistance</b>	15 gn 11 msIEC 61131-2
<b>Vibration resistance</b>	1 gn 5...150 Hz) IEC 61131-2 3.5 mm constant amplitude 5...150 Hz) IEC 61131-2
<b>Electromagnetic compatibility</b>	Resistance to radiated electromagnetic fields - test level: 10 V/m (80 MHz...2.7 GHz) Resistance to electrostatic discharge - test level: 8 kV level 3 (air discharge) conforming to EN 61000-4-2 Resistance to electrostatic discharge - test level: 6 kV level 3 (direct contact) conforming to EN 61000-4-2

## Ordering and shipping details

<b>Category</b>	US10MC222569
<b>Discount Schedule</b>	0MC2
<b>GTIN</b>	3606480920912
<b>Returnability</b>	Yes
<b>Country of origin</b>	CN

## Packing Units

<b>Unit Type of Package 1</b>	PCE
<b>Number of Units in Package 1</b>	1
<b>Package 1 Height</b>	5.2 in (13.2 cm)
<b>Package 1 Width</b>	3.07 in (7.8 cm)

<b>Package 1 Length</b>	7.2 in (18.2 cm)
<b>Package 1 Weight</b>	18.8 oz (532.5 g)
<b>Unit Type of Package 2</b>	S03
<b>Number of Units in Package 2</b>	12
<b>Package 2 Height</b>	11.8 in (30 cm)
<b>Package 2 Width</b>	11.8 in (30 cm)
<b>Package 2 Length</b>	15.7 in (40 cm)
<b>Package 2 Weight</b>	241.1 oz (6836 g)
<b>Unit Type of Package 3</b>	P12
<b>Number of Units in Package 3</b>	288
<b>Package 3 Height</b>	31.5 in (80 cm)
<b>Package 3 Width</b>	47.2 in (120 cm)
<b>Package 3 Length</b>	43.3 in (110 cm)
<b>Package 3 Weight</b>	6294.2 oz (178440 g)

## Sustainability

**Green Premium™ label** is Schneider Electric's commitment to delivering products with best-in-class environmental performance. Green Premium promises compliance with the latest regulations, transparency on environmental impacts, as well as circular and low-CO<sub>2</sub> products.

**Guide to assessing product sustainability** is a white paper that clarifies global eco-label standards and how to interpret environmental declarations.

[Learn more about Green Premium >](#)

[Guide to assess a product's sustainability >](#)



Transparency RoHS/REACH

## Well-being performance

Mercury Free

Rohs Exemption Information Yes

## Certifications & Standards

Reach Regulation [REACH Declaration](#)

Eu Rohs Directive Pro-active compliance (Product out of EU RoHS legal scope)

China Rohs Regulation [China RoHS declaration](#)

Environmental Disclosure [Product Environmental Profile](#)

Weee The product must be disposed on European Union markets following specific waste collection and never end up in rubbish bins.

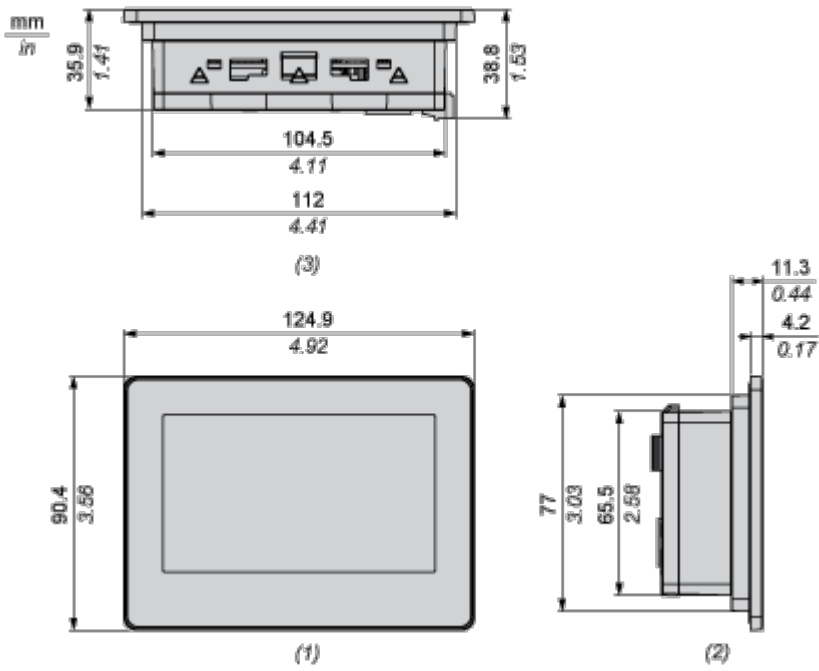
Circularity Profile [End of Life Information](#)

California Proposition 65 WARNING: This product can expose you to chemicals including: Lead and lead compounds, which is known to the State of California to cause cancer and birth defects or other reproductive harm. For more information go to [www.P65Warnings.ca.gov](http://www.P65Warnings.ca.gov)

Dimensions Drawings

External Dimensions

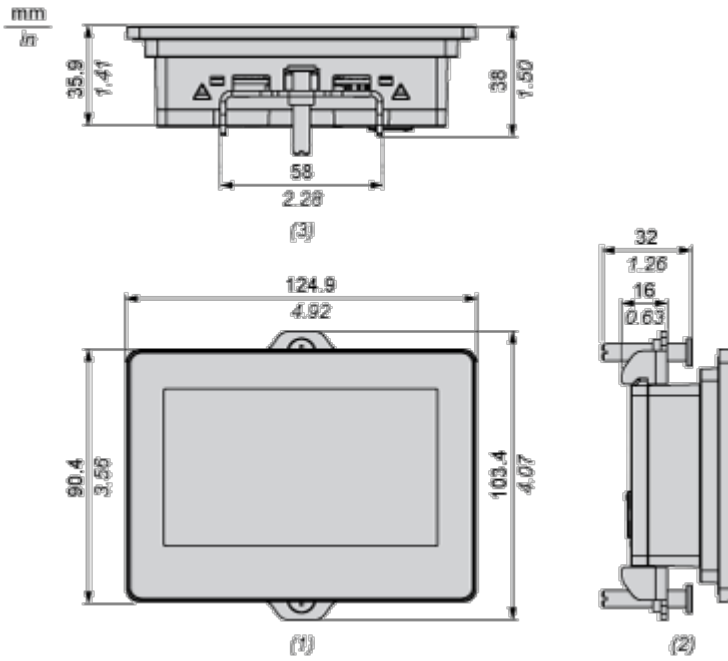
---



- 1 Front
- 2 Left
- 3 Bottom

Dimensions with Installation Fasteners

---



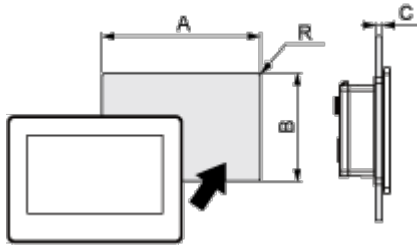
- 1 Front
- 2 Left
- 3 Bottom

Mounting and Clearance

Mounting

---

Panel Cut-out Dimensions



Dimensions in mm

Description	A	B	C	R
Without adapter	112.5	77.5	1.5...6	3 max.
With adapter	105	66	1.5...6	3 max.

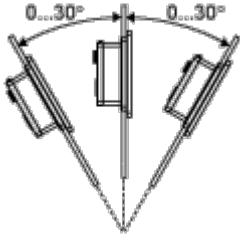
Dimensions in in.

Description	A	B	C	R
Without adapter	4.43	3.05	0.06...0.24	0.12 max.
With adapter	4.13	2.6	0.06...0.24	0.12 max.

Installation Requirements

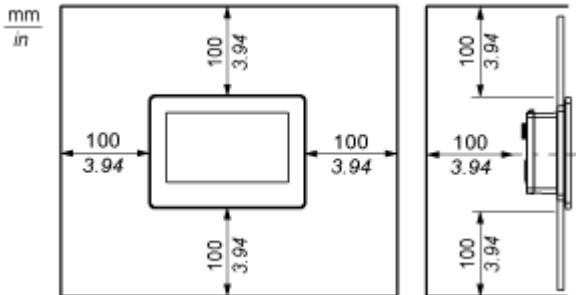
---

Mounting Angle



When installing this product in a slanted position with an incline more than 30°, the ambient temperature must not exceed 40 °C (104 °F). You may need to use forced air cooling (fan, A/C) to ensure the ambient operating temperature is 40 °C or less (104 °F or less).

Clearance





Offer Marketing Illustration

Product benefits / Features

---

The infographic features a central image of a tablet displaying a monitoring interface with a large '16.4' and various data points. Surrounding this central image are six circular icons, each with a corresponding text description of a feature. The background is a solid green color.

### Features Harmony STO

- Compact body**: Represented by an icon of two overlapping rectangles.
- Enable remote monitoring by PC, tablet and smartphone**: Represented by an icon of a house with an arrow pointing out.
- Crisp and clear visualization**: Represented by an icon of a computer monitor displaying a bar chart.
- Easy data handling with USB**: Represented by a USB symbol.
- Connect with various devices**: Represented by an icon of a central node connected to three peripheral nodes.
- Create highly responsive screens with ease by configuration software "EcoStruxure™ Operator Terminal Expert"**: Represented by an icon of a computer monitor with a gear.

Offer Marketing Illustration

Product benefits / Features

---

## Technical Benefits

Harmony STO

