

Product datasheet

Specifications



logic controller, Modicon M241, 40 IO, transistor, PNP, Ethernet

TM241CE40T

Main

Range of product	Modicon M241
Product or component type	Logic controller
[Us] rated supply voltage	24 V DC
Discrete input number	24, discrete input 8 fast input conforming to IEC 61131-2 Type 1
Discrete output type	Transistor
Discrete output number	16 transistor 4 fast output
Discrete output voltage	24 V DC for transistor output
Discrete output current	0.1 A for fast output (PTO mode) (Q0...Q3) 0.5 A for transistor output (Q0...Q15)

Complementary

Discrete I/O number	40
Maximum number of I/O expansion module	7 (local I/O-Architecture) 14 (remote I/O-Architecture)
Supply voltage limits	20.4...28.8 V
Inrush current	50 A
Power consumption in W	32.6...40.4 W (with max number of I/O expansion module)
Discrete input logic	Sink or source
Discrete input voltage	24 V
Discrete input voltage type	DC
Voltage state 1 guaranteed	≥ 15 V for input
Voltage state 0 guaranteed	≤ 5 V for input
Discrete input current	10.7 mA for fast input 7 mA for input
Input impedance	4.7 kOhm for input 2.81 kOhm for fast input
Response time	≤ 2 μ s turn-on, I0...I7 terminal(s) for fast input ≤ 2 μ s turn-off, I0...I7 terminal(s) for fast input ≤ 2 μ s turn-on, Q0...Q3 terminal(s) for fast output ≤ 2 μ s turn-off, Q0...Q3 terminal(s) for fast output 50 μ s turn-on, I0...I15 terminal(s) for input 50 μ s turn-off, I0...I15 terminal(s) for input ≤ 34 μ s turn-on, Q0...Q15 terminal(s) for output ≤ 250 μ s turn-off, Q0...Q15 terminal(s) for output

Configurable filtering time	1 µs for fast input 12 ms for fast input 0 ms for input 1 ms for input 4 ms for input 12 ms for input
Discrete output logic	Positive logic (source)
Output voltage limits	30 V DC
Maximum current per output common	2 A
Maximum output frequency	20 kHz for fast output (PWM mode) 100 kHz for fast output (PLS mode) 1 kHz for output
Accuracy	+/- 0.1 % at 0.02...0.1 kHz for fast output +/- 1 % at 0.1...1 kHz for fast output
Maximum leakage current	5 µA for output
Maximum voltage drop	<1 V
Maximum tungsten load	<2.4 W
Protection type	Short-circuit protection Short-circuit and overload protection with automatic reset Reverse polarity protection for fast output
Reset time	10 ms automatic reset output 12 s automatic reset fast output
Memory capacity	64 MB for system memory RAM
Data backed up	128 MB built-in flash memory for backup of user programs
Data storage equipment	<= 16 GB SD card (optional)
Battery type	BR2032 lithium non-rechargeable, battery life: 4 year(s)
Backup time	2 years at 25 °C
Execution time for 1 KInstruction	0.3 ms for event and periodic task 0.7 ms for other instruction
Application structure	3 cyclic master tasks + 1 freewheeling task 8 external event tasks 4 cyclic master tasks 8 event tasks
Realtime clock	With
Clock drift	<= 60 s/month at 25 °C
Positioning functions	PTO function 4 channel(s) (positioning frequency: 100 kHz) PTO function 4 channel(s) for transistor output (positioning frequency: 1 kHz)
Counting input number	4 fast input (HSC mode) at 200 kHz 16 standard input at 1 kHz
Control signal type	A/B at 100 kHz for fast input (HSC mode) Pulse/direction at 200 kHz for fast input (HSC mode) Single phase at 200 kHz for fast input (HSC mode)
Integrated connection type	Non isolated serial link serial 1 with RJ45 connector and RS232/RS485 interface Non isolated serial link serial 2 with removable screw terminal block connector and RS485 interface USB port with mini B USB 2.0 connector Ethernet with RJ45 connector
Supply	(serial 1)serial link supply: 5 V, <200 mA
Transmission rate	1.2...115.2 kbit/s (115.2 kbit/s by default) for bus length of 15 m for RS485 1.2...115.2 kbit/s (115.2 kbit/s by default) for bus length of 3 m for RS232 480 Mbit/s for bus length of 3 m for USB 10/100 Mbit/s for Ethernet
Communication port protocol	Non isolated serial link: Modbus master/slave

Port Ethernet	10BASE-T/100BASE-TX - 1 port(s) copper cable
ethernet services	<p>FDR</p> <p>DHCP server via TM4 Ethernet switch network module</p> <p>DHCP client embedded Ethernet port</p> <p>SMS notifications</p> <p>Updating firmware</p> <p>SNMP client/server</p> <p>Programming</p> <p>NGVL</p> <p>Monitoring</p> <p>IEC VAR ACCESS</p> <p>FTP client/server</p> <p>Downloading</p> <p>SQL client</p> <p>Modbus TCP client I/O scanner</p> <p>Ethernet/IP originator I/O scanner embedded Ethernet port</p> <p>Ethernet/IP target, Modbus TCP server and Modbus TCP slave</p> <p>Send and receive email from the controller based on TCP/UDP library</p> <p>Web server (WebVisu & XWeb system)</p> <p>OPC UA server</p> <p>DNS client</p>
Local signalling	<p>1 LED (green) for PWR</p> <p>1 LED (green) for RUN</p> <p>1 LED (red) for module error (ERR)</p> <p>1 LED (red) for I/O error (I/O)</p> <p>1 LED (green) for SD card access (SD)</p> <p>1 LED (red) for BAT</p> <p>1 LED (green) for SL1</p> <p>1 LED (green) for SL2</p> <p>1 LED (red) for bus fault on TM4 (TM4)</p> <p>1 LED per channel (green) for I/O state</p> <p>1 LED (green) for Ethernet port activity</p>
Electrical connection	<p>removable screw terminal blockfor inputs and outputs (pitch 5.08 mm)</p> <p>removable screw terminal blockfor connecting the 24 V DC power supply (pitch 5.08 mm)</p>
Maximum cable distance between devices	<p>Unshielded cable: <50 m for input</p> <p>Shielded cable: <10 m for fast input</p> <p>Unshielded cable: <50 m for output</p> <p>Shielded cable: <3 m for fast output</p>
Insulation	<p>Between supply and internal logic at 500 V AC</p> <p>Non-insulated between supply and ground</p> <p>Between input and internal logic at 500 V AC</p> <p>Non-insulated between inputs</p> <p>Between fast input and internal logic at 500 V AC</p> <p>Between output and internal logic at 500 V AC</p> <p>Non-insulated between outputs</p> <p>Between fast output and internal logic at 500 V AC</p> <p>Between output groups at 500 V AC</p>
marking	CE
Surge withstand	<p>1 kV power lines (DC) common mode conforming to IEC 61000-4-5</p> <p>1 kV shielded cable common mode conforming to IEC 61000-4-5</p> <p>0.5 kV power lines (DC) differential mode conforming to IEC 61000-4-5</p> <p>1 kV relay output differential mode conforming to IEC 61000-4-5</p> <p>1 kV input common mode conforming to IEC 61000-4-5</p> <p>1 kV transistor output common mode conforming to IEC 61000-4-5</p>
Web services	Web server
Maximum number of connections	<p>8 Modbus server</p> <p>8 SoMachine protocol</p> <p>10 web server</p> <p>4 FTP server</p> <p>16 Ethernet/IP target</p> <p>8 Modbus client</p>
Number of server device(s)	<p>64 Modbus TCP:</p> <p>16 EtherNet/IP:</p>
Cycle time	<p>10 ms 16 EtherNet/IP</p> <p>64 ms 64 Modbus TCP</p>

Mounting support	Top hat type TH35-15 rail conforming to IEC 60715 Top hat type TH35-7.5 rail conforming to IEC 60715 plate or panel with fixing kit
Height	90 mm
Depth	95 mm
Width	190 mm
Net weight	0.62 kg

Environment

Standards	ANSI/ISA 12-12-01 CSA C22.2 No 142 CSA C22.2 No 213 IEC 61131-2:2007 Marine specification (LR, ABS, DNV, GL) UL 508
product certifications	RCM cULus CE UKCA DNV-GL ABS LR
Resistance to electrostatic discharge	8 kV in air conforming to IEC 61000-4-2 4 kV on contact conforming to IEC 61000-4-2
Resistance to electromagnetic fields	10 V/m 80 MHz...1 GHz conforming to IEC 61000-4-3 3 V/m 1.4 GHz...2 GHz conforming to IEC 61000-4-3 1 V/m 2 GHz...3 GHz conforming to IEC 61000-4-3
Resistance to fast transients	2 kV (power lines) conforming to IEC 61000-4-4 1 kV (Ethernet line) conforming to IEC 61000-4-4 1 kV (serial link) conforming to IEC 61000-4-4 1 kV (input) conforming to IEC 61000-4-4 1 kV (transistor output) conforming to IEC 61000-4-4
Resistance to conducted disturbances	10 V 0.15...80 MHz conforming to IEC 61000-4-6 3 V 0.1...80 MHz conforming to Marine specification (LR, ABS, DNV, GL) 10 V spot frequency (2, 3, 4, 6.2, 8.2, 12.6, 16.5, 18.8, 22, 25 MHz) conforming to Marine specification (LR, ABS, DNV, GL)
Electromagnetic emission	Conducted emissions - test level: 120...69 dB μ V/m QP (power lines) at 10...150 kHz conforming to IEC 55011 Conducted emissions - test level: 63 dB μ V/m QP (power lines) at 1.5...30 MHz conforming to IEC 55011 Radiated emissions - test level: 40 dB μ V/m QP class A at 30...230 MHz conforming to IEC 55011 Conducted emissions - test level: 79...63 dB μ V/m QP (power lines) at 150...1500 kHz conforming to IEC 55011 Radiated emissions - test level: 47 dB μ V/m QP class A at 230...1000 MHz conforming to IEC 55011
Immunity to microbreaks	10 ms
Ambient air temperature for operation	-10...50 °C (vertical installation) -10...55 °C (horizontal installation)
Ambient air temperature for storage	-25...70 °C
Relative humidity	10...95 %, without condensation (in operation) 10...95 %, without condensation (in storage)
IP degree of protection	IP20 with protective cover in place
Pollution degree	2
Operating altitude	0...2000 m
Storage altitude	0...3000 m

Vibration resistance	3.5 mm at 5...8.4 Hz on symmetrical rail 3 gn at 8.4...150 Hz on symmetrical rail 3.5 mm at 5...8.4 Hz on panel mounting 3 gn at 8.4...150 Hz on panel mounting
Shock resistance	15 gn for 11 ms

Packing Units

Unit Type of Package 1	PCE
Number of Units in Package 1	1
Package 1 Height	11.259 cm
Package 1 Width	13.069 cm
Package 1 Length	22.934 cm
Package 1 Weight	770.0 g
Unit Type of Package 2	S03
Number of Units in Package 2	6
Package 2 Height	30 cm
Package 2 Width	30 cm
Package 2 Length	40 cm
Package 2 Weight	5.461 kg
Unit Type of Package 3	P06
Number of Units in Package 3	48
Package 3 Height	75.0 cm
Package 3 Width	40.0 cm
Package 3 Length	80.0 cm
Package 3 Weight	54 kg

Sustainability

Green Premium™ label is Schneider Electric's commitment to delivering products with best-in-class environmental performance. Green Premium promises compliance with the latest regulations, transparency on environmental impacts, as well as circular and low-CO₂ products.

Guide to assessing product sustainability is a white paper that clarifies global eco-label standards and how to interpret environmental declarations.

[Learn more about Green Premium >](#)

[Guide to assess a product's sustainability >](#)



Transparency RoHS/REACH

Well-being performance

Mercury Free

Rohs Exemption Information [Yes](#)

Pvc Free

Certifications & Standards

Reach Regulation [REACH Declaration](#)

Eu Rohs Directive Pro-active compliance (Product out of EU RoHS legal scope)

China Rohs Regulation [China RoHS declaration](#)

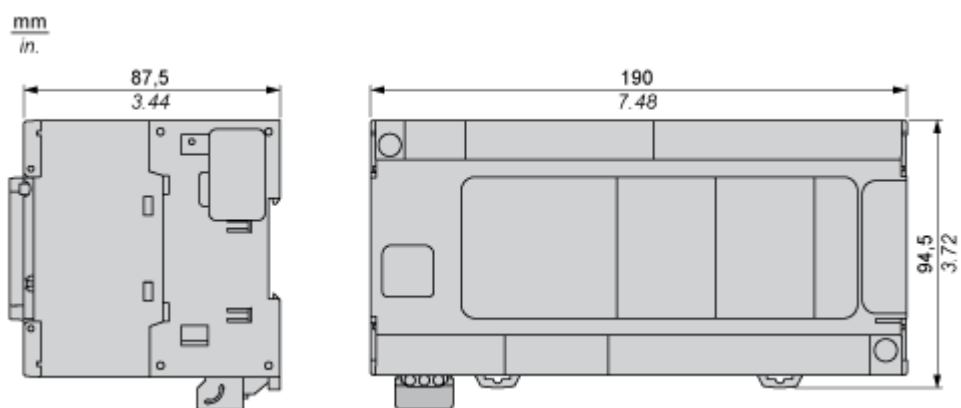
Environmental Disclosure [Product Environmental Profile](#)

Weee The product must be disposed on European Union markets following specific waste collection and never end up in rubbish bins

Circularity Profile [End of Life Information](#)

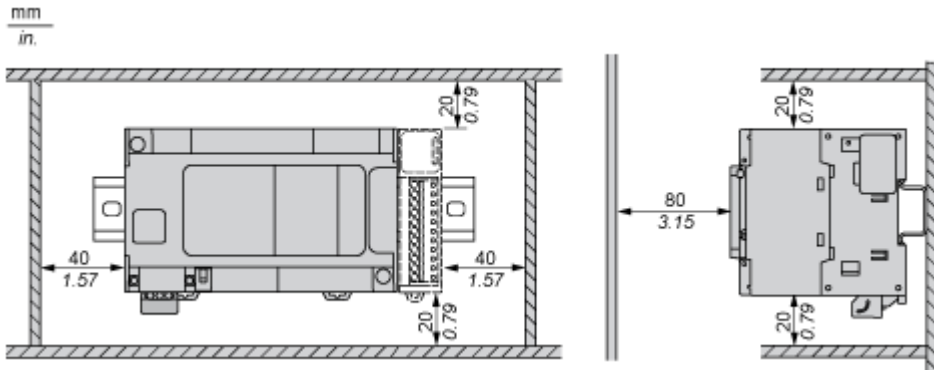
Dimensions Drawings

Dimensions

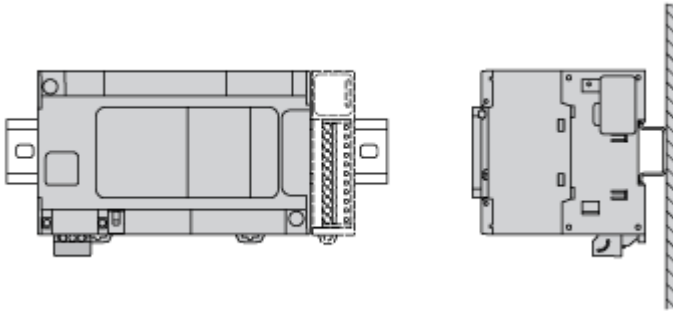


Mounting and Clearance

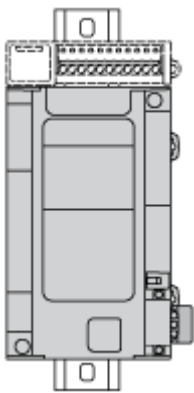
Clearance



Mounting Position

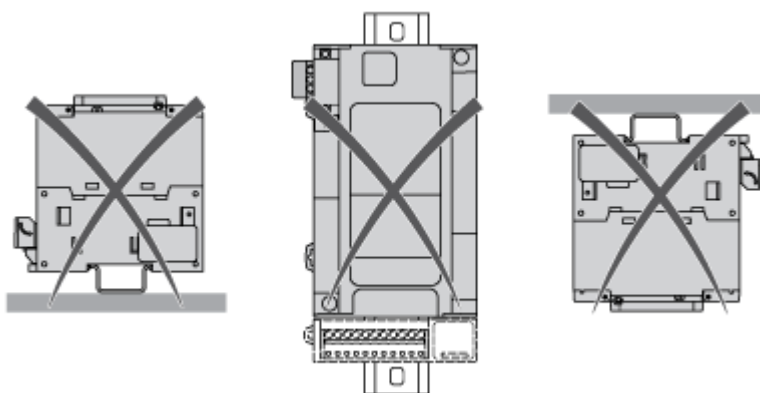


Acceptable Mounting



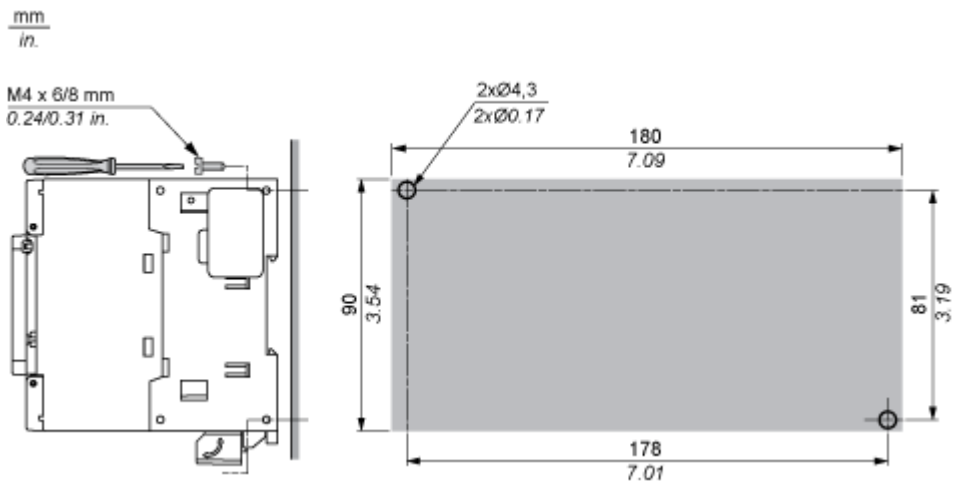
NOTE: Expansion modules must be mounted above the logic controller.

Incorrect Mounting



Direct Mounting On a Panel Surface

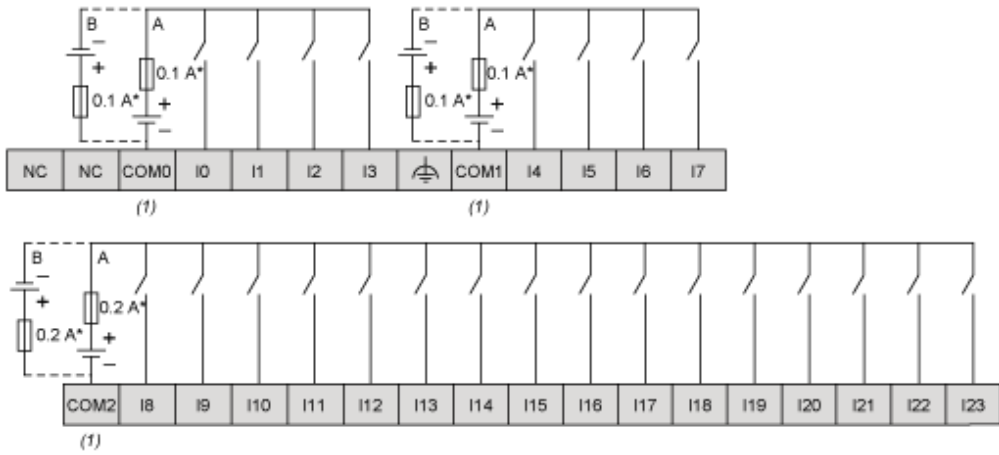
Mounting Hole Layout



Connections and Schema

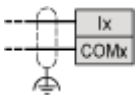
Digital Inputs

Wiring Diagram



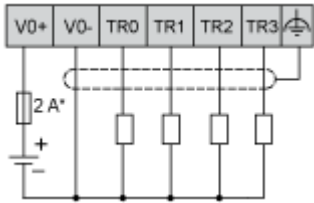
- (*) : Type T fuse
- (1) : The COM0, COM1 and COM2 terminals are not connected internally
- (A) : Sink wiring (positive logic)
- (B) : Source wiring (negative logic)

Fast Input Wiring (I0...I7)



Fast Transistor Outputs

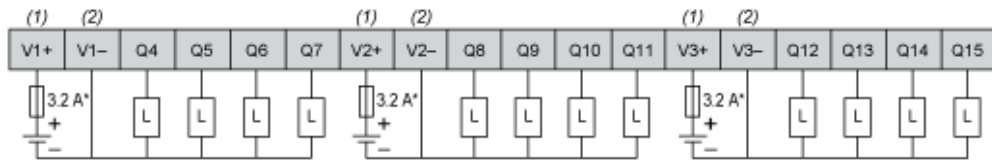
Wiring Diagram



(*) : 2 A fast-blow fuse

Transistor Outputs

Wiring Diagram

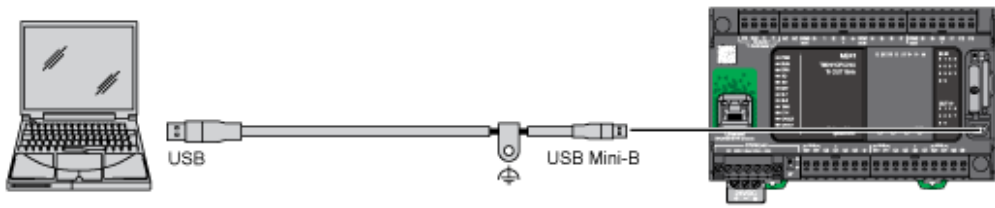


(*) : Type T fuse

(1) : The V1+, V2+ and V3+ terminals are not connected internally.

(2) : The V1-, V2- and V3- terminals are not connected internally.

USB Mini-B Connection



Ethernet Connection to a PC

