

Product datasheet

Specifications



variable speed drive, Altivar 12,
4kW, 5hp, 200 to 240V, 3 phases,
with heat sink

ATV12HU40M3

Main

| | |
|------------------------------|-------------------------|
| Range of product | Altivar 12 |
| Product or component type | Variable speed drive |
| Product specific application | Simple machine |
| mounting mode | Cabinet mount |
| Communication port protocol | Modbus |
| Supply frequency | 50/60 Hz +/- 5 % |
| [Us] rated supply voltage | 200...240 V - 15...10 % |
| Nominal output current | 16.7 A |
| Motor power hp | 5 hp |
| Motor power kW | 4 kW |
| Motor power hp | 5 hp |
| EMC filter | Without EMC filter |
| IP degree of protection | IP20 |

Complementary

| | |
|------------------------------|---|
| Discrete input number | 4 |
| Discrete output number | 2 |
| Analogue input number | 1 |
| Analogue output number | 1 |
| Relay output number | 1 |
| Physical interface | 2-wire RS 485 |
| Connector type | 1 RJ45 |
| Continuous output current | 16.7 A at 4 kHz |
| Method of access | Server Modbus serial |
| Speed drive output frequency | 0.5...400 Hz |
| Speed range | 1...20 |
| Sampling duration | 20 ms, tolerance +/- 1 ms for logic input 10 ms for analogue input |
| Linearity error | +/- 0.3 % of maximum value for analogue input |
| Frequency resolution | Analog input: converter A/D, 10 bits Display unit: 0.1 Hz |
| Time constant | 20 ms +/- 1 ms for reference change |

| | |
|---|--|
| Transmission rate | 9.6 kbit/s 19.2 kbit/s 38.4 kbit/s |
| Transmission frame | RTU |
| Number of addresses | 1...247 |
| Data format | 8 bits, configurable odd, even or no parity |
| Communication service | Read holding registers (03) 29 words Write single register (06) 29 words Write multiple registers (16) 27 words Read/write multiple registers (23) 4/4 words Read device identification (43) |
| Type of polarization | No impedance |
| 4 quadrant operation possible | False |
| Asynchronous motor control profile | Quadratic voltage/frequency ratio Voltage/frequency ratio (V/f) Sensorless flux vector control |
| Maximum output frequency | 4 kHz |
| Transient overtorque | 150...170 % of nominal motor torque depending on drive rating and type of motor |
| Acceleration and deceleration ramps | S U Linear from 0 to 999.9 s |
| Motor slip compensation | Preset in factory Adjustable |
| Switching frequency | 2...16 kHz adjustable 4...16 kHz with derating factor |
| Nominal switching frequency | 4 kHz |
| Braking to standstill | By DC injection |
| Brake chopper integrated | False |
| Line current | 23.8 A at 100 V (heavy duty) 19.9 A at 120 V (heavy duty) |
| Maximum input current | 19.9 A |
| Maximum output voltage | 240 V |
| Apparent power | 8.3 kVA at 240 V (heavy duty) |
| Maximum transient current | 25.0 A during 60 s (heavy duty) 27.6 A during 2 s (heavy duty) |
| Network frequency | 50...60 Hz |
| Relative symmetric network frequency tolerance | 5 % |
| Prospective line I_{sc} | 5 kA |
| Base load current at high overload | 16.7 A |
| Power dissipation in W | Forced cooling: 128.0 W |
| With safety function Safely Limited Speed (SLS) | False |
| With safety function Safe brake management (SBC/SBT) | False |
| With safety function Safe Operating Stop (SOS) | False |
| With safety function Safe Position (SP) | False |
| With safety function Safe programmable logic | False |
| With safety function Safe Speed Monitor (SSM) | False |

| | |
|--|---|
| With safety function Safe Stop 1 (SS1) | False |
| With sft fct Safe Stop 2 (SS2) | False |
| With safety function Safe torque off (STO) | False |
| With safety function Safely Limited Position (SLP) | False |
| With safety function Safe Direction (SDI) | False |
| Protection type | Line supply overvoltage Line supply undervoltage Overcurrent between output phases and earth Overheating protection Short-circuit between motor phases Against input phase loss in three-phase Thermal motor protection via the drive by continuous calculation of I ² t |
| Tightening torque | 1.2 N.m |
| Insulation | Electrical between power and control |
| Quantity per set | Set of 1 |
| Width | 140 mm |
| Height | 184 mm |
| Depth | 141.2 mm |
| Net weight | 2 kg |

Environment

| | |
|--|--|
| Operating altitude | <= 1000 m without derating > 1000...3000 m with current derating 1 % per 100 m |
| Operating position | Vertical +/- 10 degree |
| product certifications | NOM CSA C-Tick UL GOST RCM KC |
| marking | CE |
| Standards | UL 508C UL 618000-5-1 IEC 61800-5-1 IEC 61800-3 |
| Assembly style | With heat sink |
| Electromagnetic compatibility | Electrical fast transient/burst immunity test level 4 conforming to IEC 61000-4-4 Electrostatic discharge immunity test level 3 conforming to IEC 61000-4-2 Immunity to conducted disturbances level 3 conforming to IEC 61000-4-6 Radiated radio-frequency electromagnetic field immunity test level 3 conforming to IEC 61000-4-3 Surge immunity test level 3 conforming to IEC 61000-4-5 Voltage dips and interruptions immunity test conforming to IEC 61000-4-11 |
| Environmental class (during operation) | Class 3C3 according to IEC 60721-3-3 Class 3S2 according to IEC 60721-3-3 |
| Maximum acceleration under shock impact (during operation) | 150 m/s ² at 11 ms |
| Maximum acceleration under vibrational stress (during operation) | 10 m/s ² at 13...200 Hz |
| Maximum deflection under vibratory load (during operation) | 1.5 mm at 2...13 Hz |
| Volume of cooling air | 16.4 m ³ /h |
| Overvoltage category | Class III |

| | |
|--|---|
| Regulation loop | Adjustable PID regulator |
| Electromagnetic emission | Radiated emissions environment 1 category C2 conforming to IEC 61800-3 2...16 kHz shielded motor cable Conducted emissions conforming to IEC 61800-3 |
| Vibration resistance | 1 gn (f = 13...200 Hz) conforming to IEC 60068-2-6 1.5 mm peak to peak (f = 3...13 Hz) - drive unmounted on symmetrical DIN rail - conforming to IEC 60068-2-6 |
| Shock resistance | 15 gn conforming to IEC 60068-2-27 for 11 ms |
| Relative humidity | 5...95 % without condensation conforming to IEC 60068-2-3 5...95 % without dripping water conforming to IEC 60068-2-3 |
| Noise level | 50 dB |
| Pollution degree | 2 |
| Ambient air transport temperature | -25...70 °C |
| Ambient air temperature for operation | -10...50 °C without derating 50...60 °C with current derating 2.2 % per °C |
| Ambient air temperature for storage | -25...70 °C |

Packing Units

| | |
|-------------------------------------|-----------|
| Unit Type of Package 1 | PCE |
| Number of Units in Package 1 | 1 |
| Package 1 Height | 25.000 cm |
| Package 1 Width | 19.500 cm |
| Package 1 Length | 26.800 cm |
| Package 1 Weight | 2.444 kg |
| Unit Type of Package 2 | P06 |
| Number of Units in Package 2 | 12 |
| Package 2 Height | 75.000 cm |
| Package 2 Width | 60.000 cm |
| Package 2 Length | 80.000 cm |
| Package 2 Weight | 42.328 kg |

Contractual warranty

| | |
|-----------------|-----------|
| Warranty | 18 months |
|-----------------|-----------|

Sustainability


Green Premium™ label is Schneider Electric's commitment to delivering products with best-in-class environmental performance. Green Premium promises compliance with the latest regulations, transparency on environmental impacts, as well as circular and low-CO₂ products.


Guide to assessing product sustainability is a white paper that clarifies global eco-label standards and how to interpret environmental declarations.

[Learn more about Green Premium >](#)

[Guide to assess a product's sustainability >](#)

Well-being performance

 Mercury Free

 Rohs Exemption Information [Yes](#)

Reach Regulation [REACH Declaration](#)

Eu Rohs Directive Pro-active compliance (Product out of EU RoHS legal scope)

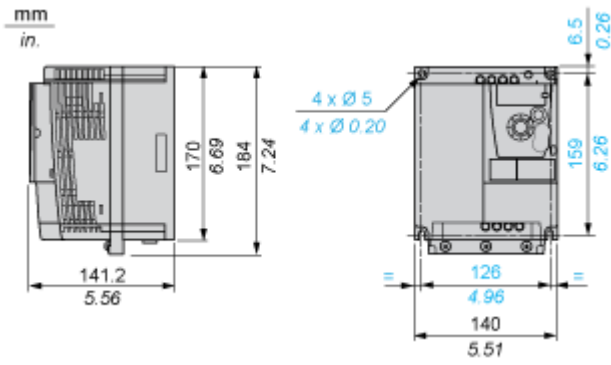
China Rohs Regulation [China RoHS declaration](#)

Weee The product must be disposed on European Union markets following specific waste collection and never end up in rubbish bins

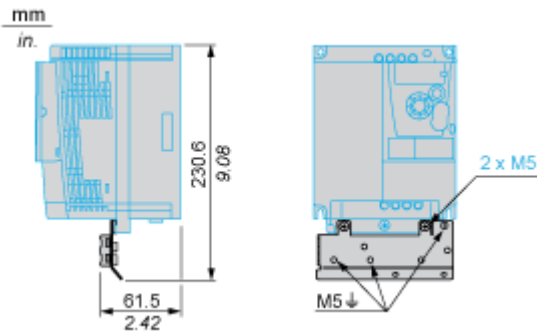
Dimensions Drawings

Dimensions

Drive without EMC Conformity Kit



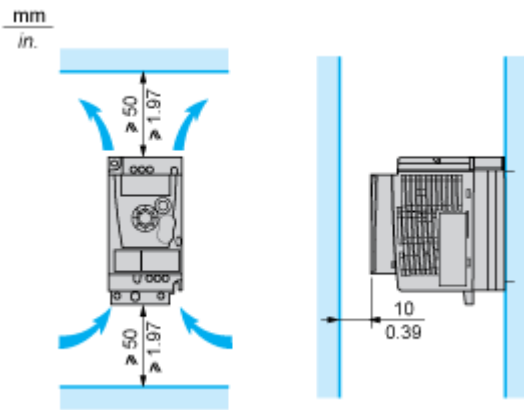
Drive with EMC Conformity Kit



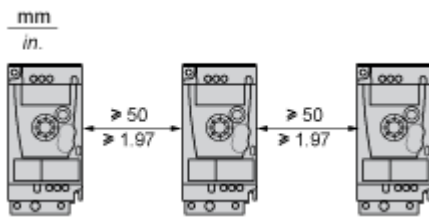
Mounting and Clearance

Mounting Recommendations

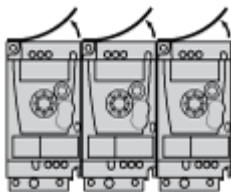
Clearance for Vertical Mounting



Mounting Type A

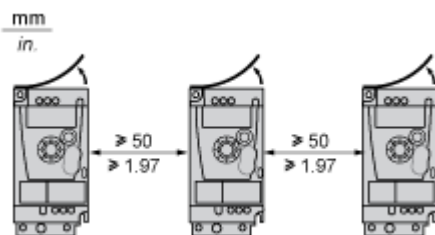


Mounting Type B



Remove the protective cover from the top of the drive.

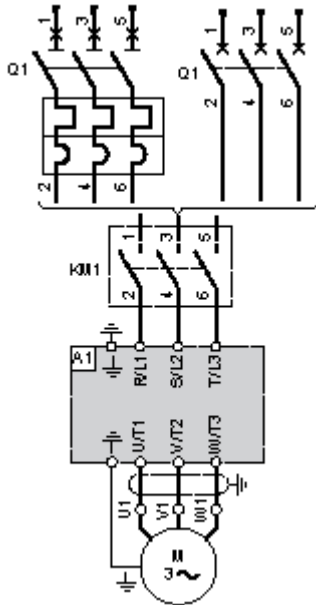
Mounting Type C



Remove the protective cover from the top of the drive.

Connections and Schema

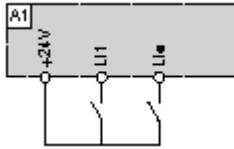
Three-Phase Power Supply Wiring Diagram



- A1 Drive
- KM1 Contactor (only if a control circuit is needed)
- Q1 Circuit breaker

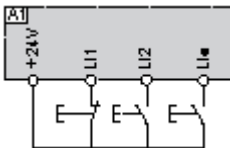
Recommended Schemes

2-Wire Control for Logic I/O with Internal Power Supply



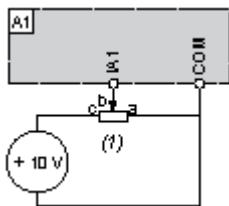
- LI1 : Forward
- LI• : Reverse
- A1 : Drive

3-Wire Control for Logic I/O with Internal Power Supply



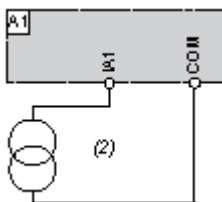
- LI1 : Stop
- LI2 : Forward
- LI• : Reverse
- A1 : Drive

Analog Input Configured for Voltage with Internal Power Supply



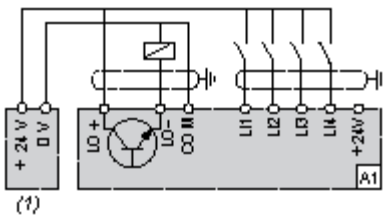
- (1) 2.2 kΩ...10 kΩ reference potentiometer
- A1 : Drive

Analog Input Configured for Current with Internal Power Supply



- (2) 0-20 mA 4-20 mA supply
- A1 : Drive

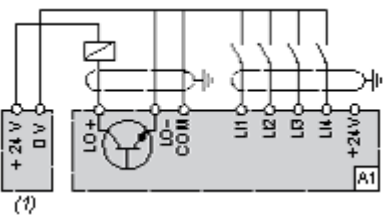
Connected as Positive Logic (Source) with External 24 vdc Supply



(1) 24 vdc supply

A1 : Drive

Connected as Negative Logic (Sink) with External 24 vdc supply

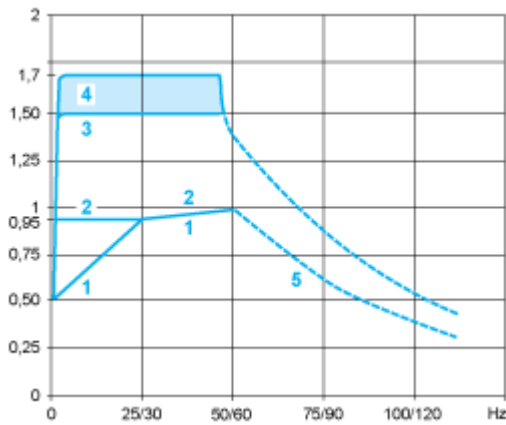


(1) 24 vdc supply

A1 : Drive

Performance Curves

Torque Curves



- 1 : Self-cooled motor: continuous useful torque (1)
- 2 : Force-cooled motor: continuous useful torque
- 3 : Transient overtorque for 60 s
- 4 : Transient overtorque for 2 s
- 5 : Torque in overspeed at constant power (2)

(1) For power ratings ≤ 250 W, derating is 20% instead of 50% at very low frequencies.

(2) The nominal motor frequency and the maximum output frequency can be adjusted from 0.5 to 400 Hz. The mechanical overspeed capability of the selected motor must be checked with the manufacturer.