



power contactor, AC-3e/AC-3, 7 A, 3 kW / 400 V, 3-pole, 100 V AC, 50 Hz / 100-110 V, 60 Hz, auxiliary contacts: 1 NO, screw terminal, size: S00

| | |
|--|----------------------------|
| product brand name | SIRIUS |
| product designation | Power contactor |
| product type designation | 3RT2 |
| General technical data | |
| size of contactor | S00 |
| product extension | |
| • function module for communication | No |
| • auxiliary switch | Yes |
| power loss [W] for rated value of the current | |
| • at AC in hot operating state | 0.6 W |
| • at AC in hot operating state per pole | 0.2 W |
| • without load current share typical | 1.2 W |
| type of calculation of power loss depending on pole | quadratic |
| insulation voltage | |
| • of main circuit with degree of pollution 3 rated value | 690 V |
| • of auxiliary circuit with degree of pollution 3 rated value | 690 V |
| surge voltage resistance | |
| • of main circuit rated value | 6 kV |
| • of auxiliary circuit rated value | 6 kV |
| maximum permissible voltage for protective separation between coil and main contacts according to EN 60947-1 | 400 V |
| shock resistance at rectangular impulse | |
| • at AC | 6,7g / 5 ms, 4,2g / 10 ms |
| shock resistance with sine pulse | |
| • at AC | 10,5g / 5 ms, 6,6g / 10 ms |
| mechanical service life (operating cycles) | |
| • of contactor typical | 30 000 000 |
| • of the contactor with added electronically optimized auxiliary switch block typical | 5 000 000 |
| • of the contactor with added auxiliary switch block typical | 10 000 000 |
| reference code according to IEC 81346-2 | Q |
| Substance Prohibitance (Date) | |
| Weight | 0.229 kg |
| Ambient conditions | |
| installation altitude at height above sea level maximum | 2 000 m |
| ambient temperature | |
| • during operation | -25 ... +60 °C |
| • during storage | -55 ... +80 °C |
| relative humidity minimum | 10 % |
| relative humidity at 55 °C according to IEC 60068-2-30 maximum | 95 % |

| Environmental footprint | |
|--|---------------------|
| Environmental Product Declaration(EPD) | Yes |
| Global Warming Potential [CO2 eq] total | 39.6 kg |
| Global Warming Potential [CO2 eq] during manufacturing | 1.18 kg |
| Global Warming Potential [CO2 eq] during operation | 38.5 kg |
| Global Warming Potential [CO2 eq] after end of life | -0.155 kg |
| Main circuit | |
| number of poles for main current circuit | 3 |
| number of NO contacts for main contacts | 3 |
| operating voltage | |
| • at AC-3 rated value maximum | 690 V |
| • at AC-3e rated value maximum | 690 V |
| operational current | |
| • at AC-1 at 400 V at ambient temperature 40 °C rated value | 18 A |
| • at AC-1 | |
| — up to 690 V at ambient temperature 40 °C rated value | 18 A |
| — up to 690 V at ambient temperature 60 °C rated value | 16 A |
| • at AC-3 | |
| — at 400 V rated value | 7 A |
| — at 500 V rated value | 6 A |
| — at 690 V rated value | 4.9 A |
| • at AC-3e | |
| — at 400 V rated value | 7 A |
| — at 500 V rated value | 6 A |
| — at 690 V rated value | 4.9 A |
| • at AC-4 at 400 V rated value | 6.5 A |
| • at AC-5a up to 690 V rated value | 15.8 A |
| • at AC-5b up to 400 V rated value | 5.8 A |
| • at AC-6a | |
| — up to 230 V for current peak value n=20 rated value | 4 A |
| — up to 400 V for current peak value n=20 rated value | 4 A |
| — up to 500 V for current peak value n=20 rated value | 3.8 A |
| — up to 690 V for current peak value n=20 rated value | 3.6 A |
| • at AC-6a | |
| — up to 230 V for current peak value n=30 rated value | 2.7 A |
| — up to 400 V for current peak value n=30 rated value | 2.7 A |
| — up to 500 V for current peak value n=30 rated value | 2.5 A |
| — up to 690 V for current peak value n=30 rated value | 2.4 A |
| minimum cross-section in main circuit at maximum AC-1 rated value | 2.5 mm ² |
| operational current for approx. 200000 operating cycles at AC-4 | |
| • at 400 V rated value | 2.6 A |
| • at 690 V rated value | 1.8 A |
| operational current | |
| • at 1 current path at DC-1 | |
| — at 24 V rated value | 15 A |
| — at 60 V rated value | 15 A |
| — at 110 V rated value | 1.5 A |
| — at 220 V rated value | 0.6 A |
| — at 440 V rated value | 0.42 A |
| — at 600 V rated value | 0.42 A |
| • with 2 current paths in series at DC-1 | |
| — at 24 V rated value | 15 A |
| — at 60 V rated value | 15 A |
| — at 110 V rated value | 8.4 A |
| — at 220 V rated value | 1.2 A |
| — at 440 V rated value | 0.6 A |
| — at 600 V rated value | 0.5 A |

| | |
|---|--|
| <ul style="list-style-type: none"> ● with 3 current paths in series at DC-1 <ul style="list-style-type: none"> — at 24 V rated value — at 60 V rated value — at 110 V rated value — at 220 V rated value — at 440 V rated value — at 600 V rated value ● at 1 current path at DC-3 at DC-5 <ul style="list-style-type: none"> — at 24 V rated value — at 60 V rated value — at 110 V rated value ● with 2 current paths in series at DC-3 at DC-5 <ul style="list-style-type: none"> — at 24 V rated value — at 60 V rated value — at 110 V rated value ● with 3 current paths in series at DC-3 at DC-5 <ul style="list-style-type: none"> — at 24 V rated value — at 60 V rated value — at 110 V rated value — at 220 V rated value — at 440 V rated value — at 600 V rated value | <p>15 A 15 A 15 A 15 A 0.9 A 0.7 A</p> <p>15 A 0.35 A 0.1 A</p> <p>15 A 3.5 A 0.25 A</p> <p>15 A 15 A 15 A 1.2 A 0.14 A 0.14 A</p> |
| <p>operating power</p> <ul style="list-style-type: none"> ● at AC-3 <ul style="list-style-type: none"> — at 230 V rated value — at 400 V rated value — at 500 V rated value — at 690 V rated value ● at AC-3e <ul style="list-style-type: none"> — at 230 V rated value — at 400 V rated value — at 500 V rated value — at 690 V rated value | <p>1.5 kW 3 kW 3 kW 4 kW</p> <p>1.5 kW 3 kW 3 kW 4 kW</p> |
| <p>operating power for approx. 200000 operating cycles at AC-4</p> <ul style="list-style-type: none"> ● at 400 V rated value ● at 690 V rated value | <p>1.15 kW 1.15 kW</p> |
| <p>operating apparent power at AC-6a</p> <ul style="list-style-type: none"> ● up to 230 V for current peak value n=20 rated value ● up to 400 V for current peak value n=20 rated value ● up to 500 V for current peak value n=20 rated value ● up to 690 V for current peak value n=20 rated value | <p>1.5 kVA 2.7 kVA 3.3 kVA 4.3 kVA</p> |
| <p>operating apparent power at AC-6a</p> <ul style="list-style-type: none"> ● up to 230 V for current peak value n=30 rated value ● up to 400 V for current peak value n=30 rated value ● up to 500 V for current peak value n=30 rated value ● up to 690 V for current peak value n=30 rated value | <p>1 kVA 1.8 kVA 2.2 kVA 2.9 kVA</p> |
| <p>short-time withstand current in cold operating state up to 40 °C</p> <ul style="list-style-type: none"> ● limited to 1 s switching at zero current maximum ● limited to 5 s switching at zero current maximum ● limited to 10 s switching at zero current maximum ● limited to 30 s switching at zero current maximum ● limited to 60 s switching at zero current maximum | <p>120 A; Use minimum cross-section acc. to AC-1 rated value 86 A; Use minimum cross-section acc. to AC-1 rated value 67 A; Use minimum cross-section acc. to AC-1 rated value 52 A; Use minimum cross-section acc. to AC-1 rated value 43 A; Use minimum cross-section acc. to AC-1 rated value</p> |
| <p>no-load switching frequency</p> <ul style="list-style-type: none"> ● at AC | <p>10 000 1/h</p> |
| <p>operating frequency</p> <ul style="list-style-type: none"> ● at AC-1 maximum ● at AC-2 maximum ● at AC-3 maximum ● at AC-3e maximum | <p>1 000 1/h 750 1/h 750 1/h 750 1/h</p> |

| | |
|---|---|
| • at AC-4 maximum | 250 1/h |
| Control circuit/ Control | |
| type of voltage of the control supply voltage | AC |
| control supply voltage at AC | |
| • at 50 Hz rated value | 100 V |
| • at 60 Hz rated value | 110 V |
| operating range factor control supply voltage rated value of magnet coil at AC | |
| • at 50 Hz | 0.8 ... 1.1 |
| • at 60 Hz | 0.85 ... 1.1 |
| apparent pick-up power of magnet coil at AC | |
| • at 50 Hz | 26.4 VA |
| • at 60 Hz | 31.7 VA |
| inductive power factor with closing power of the coil | |
| • at 50 Hz | 0.81 |
| • at 60 Hz | 0.81 |
| apparent holding power of magnet coil at AC | |
| • at 50 Hz | 4.4 VA |
| • at 60 Hz | 4.8 VA |
| inductive power factor with the holding power of the coil | |
| • at 50 Hz | 0.24 |
| • at 60 Hz | 0.25 |
| closing delay | |
| • at AC | 9 ... 35 ms |
| opening delay | |
| • at AC | 4 ... 15 ms |
| arcing time | 10 ... 15 ms |
| control version of the switch operating mechanism | Standard A1 - A2 |
| Auxiliary circuit | |
| number of NO contacts for auxiliary contacts instantaneous contact | 1 |
| operational current at AC-12 maximum | 10 A |
| operational current at AC-15 | |
| • at 230 V rated value | 10 A |
| • at 400 V rated value | 3 A |
| • at 500 V rated value | 2 A |
| • at 690 V rated value | 1 A |
| operational current at DC-12 | |
| • at 24 V rated value | 10 A |
| • at 48 V rated value | 6 A |
| • at 60 V rated value | 6 A |
| • at 110 V rated value | 3 A |
| • at 125 V rated value | 2 A |
| • at 220 V rated value | 1 A |
| • at 600 V rated value | 0.15 A |
| operational current at DC-13 | |
| • at 24 V rated value | 10 A |
| • at 48 V rated value | 2 A |
| • at 60 V rated value | 2 A |
| • at 110 V rated value | 1 A |
| • at 125 V rated value | 0.9 A |
| • at 220 V rated value | 0.3 A |
| • at 600 V rated value | 0.1 A |
| contact reliability of auxiliary contacts | 1 faulty switching per 100 million (17 V, 1 mA) |
| UL/CSA ratings | |
| full-load current (FLA) for 3-phase AC motor | |
| • at 480 V rated value | 4.8 A |
| • at 600 V rated value | 6.1 A |
| yielded mechanical performance [hp] | |
| • for single-phase AC motor | |
| — at 110/120 V rated value | 0.25 hp |

| | |
|---|--|
| — at 230 V rated value | 0.75 hp |
| ● for 3-phase AC motor | |
| — at 200/208 V rated value | 1.5 hp |
| — at 220/230 V rated value | 2 hp |
| — at 460/480 V rated value | 3 hp |
| — at 575/600 V rated value | 5 hp |
| contact rating of auxiliary contacts according to UL | A600 / Q600 |
| Short-circuit protection | |
| design of the fuse link | |
| ● for short-circuit protection of the main circuit | |
| — with type of coordination 1 required | gG: 35A (690V,100kA), aM: 20A (690V,100kA), BS88: 35A (415V,80kA) |
| — with type of assignment 2 required | gG: 20A (690V,100kA), aM: 16A (690V, 100kA), BS88: 20A (415V, 80kA) |
| ● for short-circuit protection of the auxiliary switch required | gG: 10 A (500 V, 1 kA) |
| Installation/ mounting/ dimensions | |
| mounting position | +/-180° rotation possible on vertical mounting surface; can be tilted forward and backward by +/- 22.5° on vertical mounting surface |
| fastening method | screw and snap-on mounting onto 35 mm DIN rail according to DIN EN 60715 |
| height | 58 mm |
| width | 45 mm |
| depth | 73 mm |
| required spacing | |
| ● with side-by-side mounting | |
| — forwards | 10 mm |
| — upwards | 10 mm |
| — downwards | 10 mm |
| — at the side | 0 mm |
| ● for grounded parts | |
| — forwards | 10 mm |
| — upwards | 10 mm |
| — at the side | 6 mm |
| — downwards | 10 mm |
| ● for live parts | |
| — forwards | 10 mm |
| — upwards | 10 mm |
| — downwards | 10 mm |
| — at the side | 6 mm |
| Connections/ Terminals | |
| type of electrical connection | |
| ● for main current circuit | screw-type terminals |
| ● for auxiliary and control circuit | screw-type terminals |
| ● at contactor for auxiliary contacts | Screw-type terminals |
| ● of magnet coil | Screw-type terminals |
| type of connectable conductor cross-sections | |
| ● for main contacts | |
| — solid | 2x (0.5 ... 1.5 mm ²), 2x (0.75 ... 2.5 mm ²), 2x 4 mm ² |
| — solid or stranded | 2x (0,5 ... 1,5 mm ²), 2x (0,75 ... 2,5 mm ²), 2x 4 mm ² |
| — finely stranded with core end processing | 2x (0.5 ... 1.5 mm ²), 2x (0.75 ... 2.5 mm ²) |
| ● for AWG cables for main contacts | 2x (20 ... 16), 2x (18 ... 14), 2x 12 |
| connectable conductor cross-section for main contacts | |
| ● solid | 0.5 ... 4 mm ² |
| ● stranded | 0.5 ... 4 mm ² |
| ● finely stranded with core end processing | 0.5 ... 2.5 mm ² |
| connectable conductor cross-section for auxiliary contacts | |
| ● solid or stranded | 0.5 ... 4 mm ² |
| ● finely stranded with core end processing | 0.5 ... 2.5 mm ² |
| type of connectable conductor cross-sections | |
| ● for auxiliary contacts | |
| — solid or stranded | 2x (0.5 ... 1.5 mm ²), 2x (0.75 ... 2.5 mm ²), 2x 4 mm ² |
| — finely stranded with core end processing | 2x (0.5 ... 1.5 mm ²), 2x (0.75 ... 2.5 mm ²) |
| ● for AWG cables for auxiliary contacts | 2x (20 ... 16), 2x (18 ... 14), 2x 12 |
| AWG number as coded connectable conductor cross | |

| | |
|--|--|
| section | |
| • for main contacts | 20 ... 12 |
| • for auxiliary contacts | 20 ... 12 |
| Safety related data | |
| product function | |
| • mirror contact according to IEC 60947-4-1 | Yes; with 3RH29 |
| • positively driven operation according to IEC 60947-5-1 | No |
| • suitable for safety function | Yes |
| suitability for use safety-related switching OFF | Yes |
| service life maximum | 20 a |
| test wear-related service life necessary | Yes |
| proportion of dangerous failures | |
| • with low demand rate according to SN 31920 | 40 % |
| • with high demand rate according to SN 31920 | 73 % |
| B10 value with high demand rate according to SN 31920 | 1 000 000 |
| failure rate [FIT] with low demand rate according to SN 31920 | 100 FIT |
| ISO 13849 | |
| device type according to ISO 13849-1 | 3 |
| overdimensioning according to ISO 13849-2 necessary | Yes |
| IEC 61508 | |
| safety device type according to IEC 61508-2 | Type A |
| Electrical Safety | |
| protection class IP on the front according to IEC 60529 | IP20 |
| touch protection on the front according to IEC 60529 | finger-safe, for vertical contact from the front |

Approvals Certificates

General Product Approval

[Confirmation](#)



[KC](#)

| | | | | |
|--------------------------|-----|-------------------|-------------------|-------------------|
| General Product Approval | EMV | Functional Safety | Test Certificates | Marine / Shipping |
|--------------------------|-----|-------------------|-------------------|-------------------|



[Type Examination Certificate](#)

[Special Test Certificate](#)

[Type Test Certificates/Test Report](#)



| | |
|-------------------|-------|
| Marine / Shipping | other |
|-------------------|-------|



[Miscellaneous](#)

| | | |
|-------|---------|-------------|
| other | Railway | Environment |
|-------|---------|-------------|

[Confirmation](#)

[Confirmation](#)

[Special Test Certificate](#)



[Environmental Confirmations](#)

Further information

Information on the packaging
<https://support.industry.siemens.com/cs/ww/en/view/109813875>
 Information- and Downloadcenter (Catalogs, Brochures,...)
<https://www.siemens.com/ic10>
 Industry Mall (Online ordering system)
<https://mall.industry.siemens.com/mall/en/en/Catalog/product?mlfb=3RT2015-1AG61>

Cax online generator

<http://support.automation.siemens.com/WW/CAXorder/default.aspx?lang=en&mlfb=3RT2015-1AG61>

Service&Support (Manuals, Certificates, Characteristics, FAQs,...)

<https://support.industry.siemens.com/cs/ww/en/ps/3RT2015-1AG61>

Image database (product images, 2D dimension drawings, 3D models, device circuit diagrams, EPLAN macros, ...)

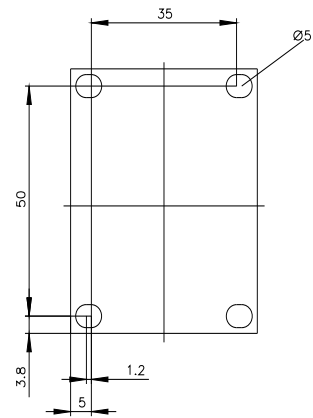
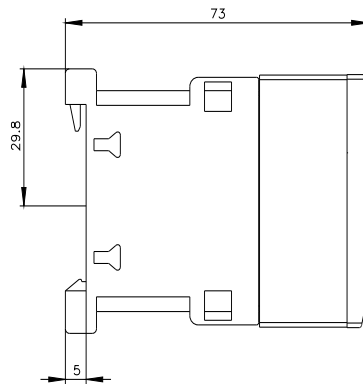
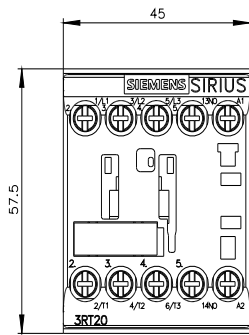
http://www.automation.siemens.com/bilddb/cax_de.aspx?mlfb=3RT2015-1AG61&lang=en

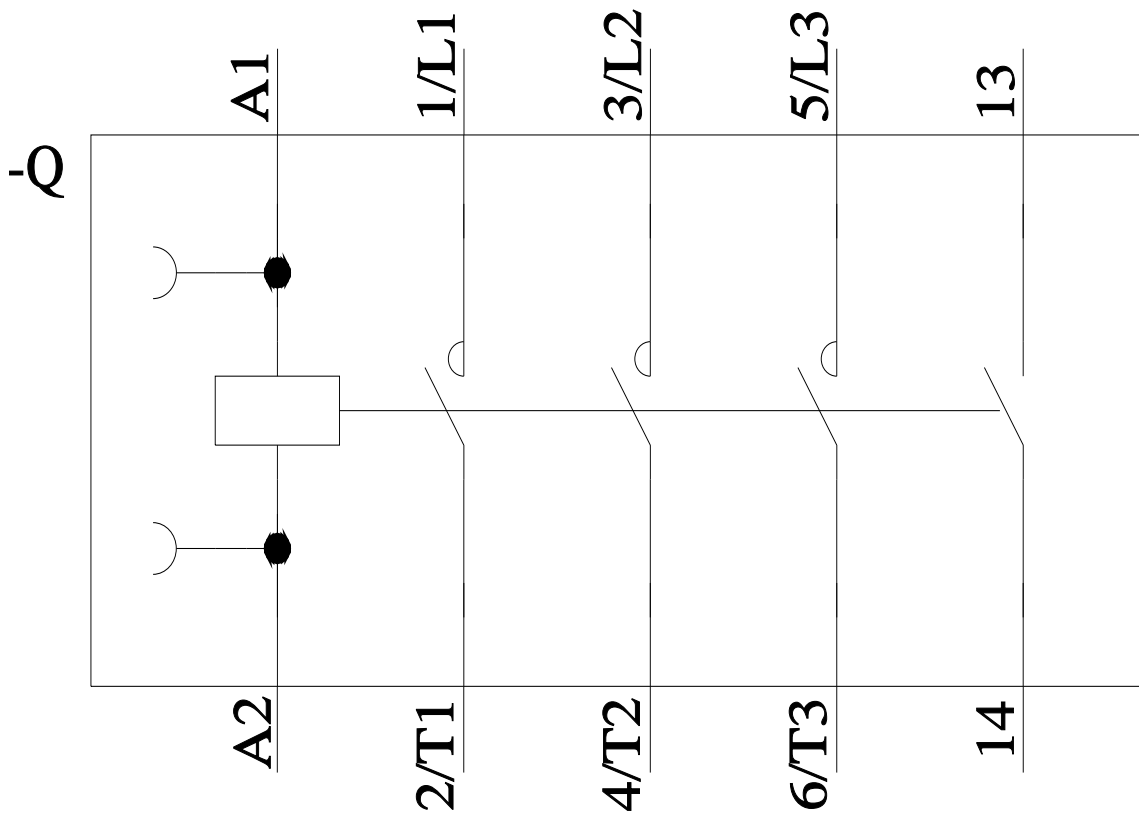
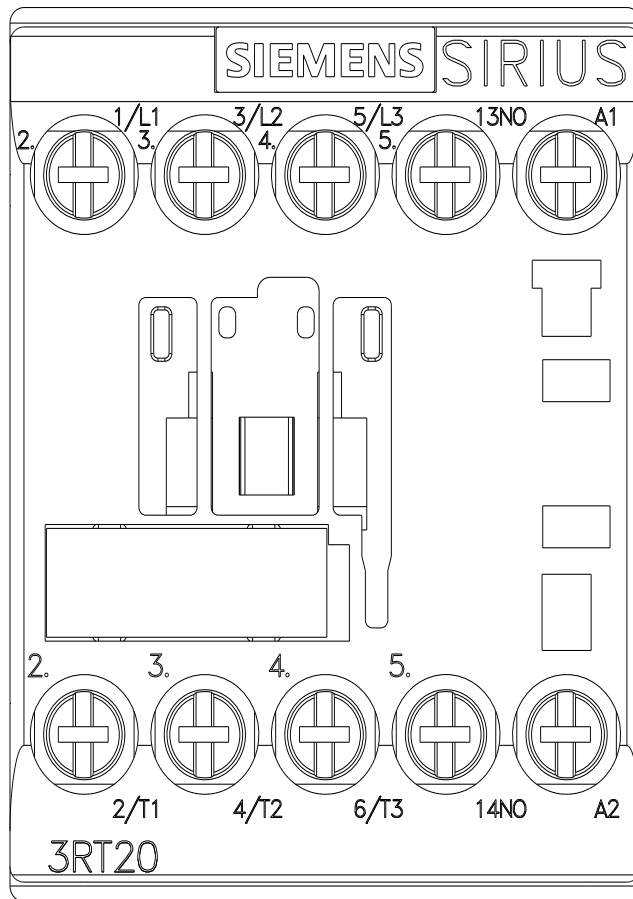
Characteristic: Tripping characteristics, I²t, Let-through current

<https://support.industry.siemens.com/cs/ww/en/ps/3RT2015-1AG61/char>

Further characteristics (e.g. electrical endurance, switching frequency)

<http://www.automation.siemens.com/bilddb/index.aspx?view=Search&mlfb=3RT2015-1AG61&objecttype=14&gridview=view1>





last modified:

